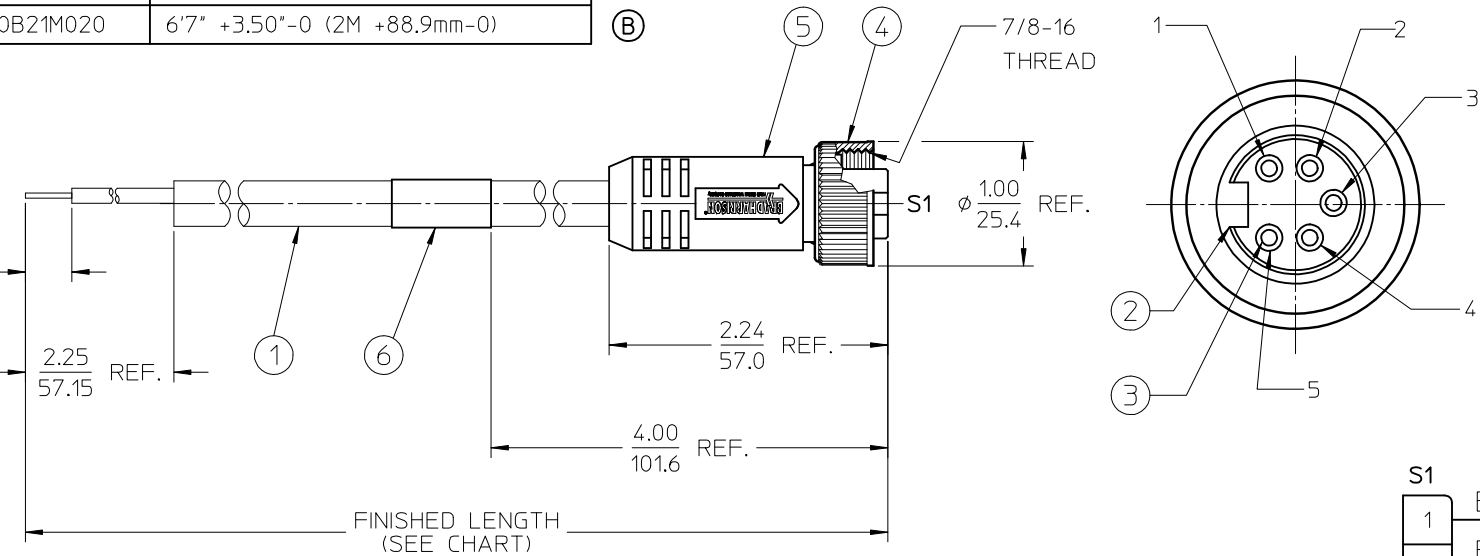


10	9	8	7	6	5	4	3	2	1
MATERIAL NO.	ENGINEERING NO.	FINISHED LENGTH							
1300068131	105000B21M050	16'5" +6.50"-0 (5M +165.1mm-0)							
1300068132	105000B21M100	32'10" +12.50"-0 (10M +317.5mm-0)							
1300068133	105000B21M200	65'7" +24.50"-0 (20M +622.3mm-0)							
1300068134	105000B21M300	98'5" +24.50"-0 (30M +622.3mm-0)							
1300068151	105000B21M020	6'7" +3.50"-0 (2M +88.9mm-0)							

FEMALE FACE VIEW  
SCALE 2X



S1

1	BLACK
2	BLUE
3	GREEN/YELLOW
4	BROWN
5	WHITE

WIRING DIAGRAM

- NOTES:
1. MATERIAL: SEE TABLE
  2. FINISHES: SEE TABLE
  3. ELECTRICAL SPECIFICATIONS  
VOLTAGE RATING: 300V AC/DC  
CURRENT RATING: 8 AMPS
  4. PROTECTION: IP67
  5. ASSEMBLY IS RoHS COMPLIANT BY EXEMPTION

ITEM	QTY.	DESCRIPTION	MATERIAL	FINISH
6	1	WRAP LABEL	MYLAR	BLACK/YELLOW
5	1	OVERMOLD	PUR	BLACK
4	1	COUPLING RING-INT THREAD	ZINC DIE-CAST	BLACK
3	5	CONTACT SOCKET	Cu ALLOY	GOLD PLATED
2	1	INSERT, 5P	PUR	BLACK
1	A/R	CABLE 5/C, 1.5mm <sup>2</sup> (16 AWG)	PUR JACKET	GRAY

ADDED 1300068151 EC NO: IPG2013-1375 DRWN:RSTONE 2013/03/06 CHKD:K JOZWIK 2013/04/07 APPR:JFMURPHY 2013/06/21	QUALITY SYMBOLS ▽=0 ▽=0	GENERAL TOLERANCES (UNLESS SPECIFIED)		DIMENSION STYLE IN/MM		SCALE 1:1	DESIGN UNITS INCH	THIRD ANGLE PROJECTION	
		4 PLACES ± --- ± --- 3 PLACES ± --- ± --- 2 PLACES ± --- ± .01 1 PLACE ± 0.3 ± --- 0 PLACE ± --- ± ---	mm INCH DRAWN BY DATE RSTONE 2012/10/19 CHECKED BY DATE K JOZWIK 2012/11/26 APPROVED BY DATE JFMURPHY 2012/12/18	TITLE MINI-CHANGE CABLE ASSY 5P FP STRAIGHT 1.5MM <sup>2</sup> (16 AWG) PUR			MATERIAL NO. SEE CHART	DOCUMENT NO. SD-130006-043	SHEET NO. 1 OF 1

ANGULAR ± 2°  
DRAFT WHERE APPLICABLE  
MUST REMAIN WITHIN DIMENSIONS

SIZE B

THIS DRAWING CONTAINS INFORMATION THAT IS PROPRIETARY TO MOLEX INCORPORATED AND SHOULD NOT BE USED WITHOUT WRITTEN PERMISSION