




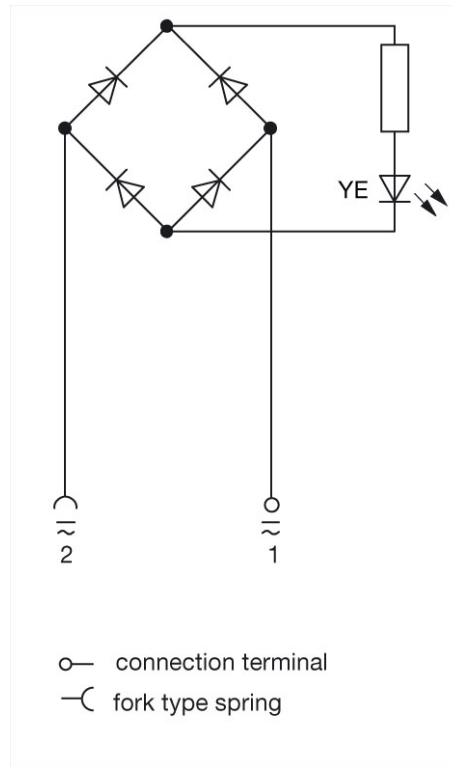
## Product information GDME HDL 24 GB YE

Industrial Connecting Solutions:Rectangular Connectors:Valve Connectors (Type A -B -C):Type A:Field Attachable Valve Connectors:Electronic inserts for GDME:GDME HDL 24 GB YE

<http://e-catalog.hirschmann.com/link/57078-24228-256261-256266-256270-276215-24315-35668/en/conf/ulistate>

Name	GDME HDL 24 GB YE
	
	rectifier with protective circuit (varistor) and function indicator (LED)
<b>Delivery informations</b>	
Availability	available
<b>Product description</b>	
Description	rectifier with protective circuit (varistor) and function indicator (LED)
Type	GDME HDL 24 GB YE
Order No.	831 852-001
Standard	DIN EN 175 301-803-A
Construction type	A
<b>Description of Wiring</b>	
LED color	LED yellow
Voltage rectifier	for LED
Suppressor	varistor
<b>Technical data</b>	
Rated voltage	AC/DC 24 V
Rated current	8 A
<b>Environmental conditions</b>	
Temperature range	-40 °C to +110 °C
<b>Packing unit</b>	
Packaging unit	50 pieces

Picture  
Drawing



**Belden Deutschland GmbH**  
Im Gewerbepark 2  
58579 Schalksmühle  
Germany  
Phone: +49 7127/14-1806  
E-Mail: [icos-sales@belden.com](mailto:icos-sales@belden.com)

The information published in the websites has been compiled as carefully as possible. It is subject to alteration without notice in technical as well as in price-related/commercial respect. The complete information and data were available on user documentation. Mandatory information can only be obtained by a concrete query.