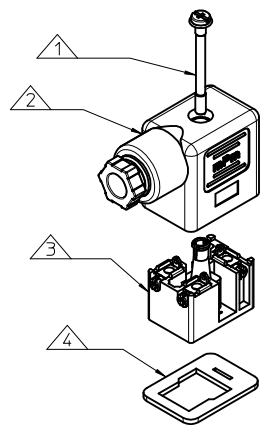
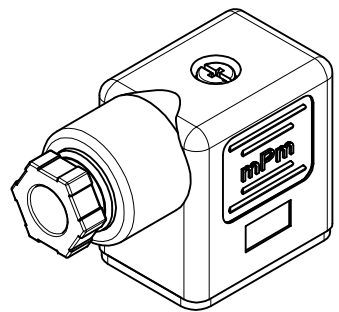


COVER DIMENSIONS FOR M20x15  
AND 1/2" NPTF THREADED CONNECTORS



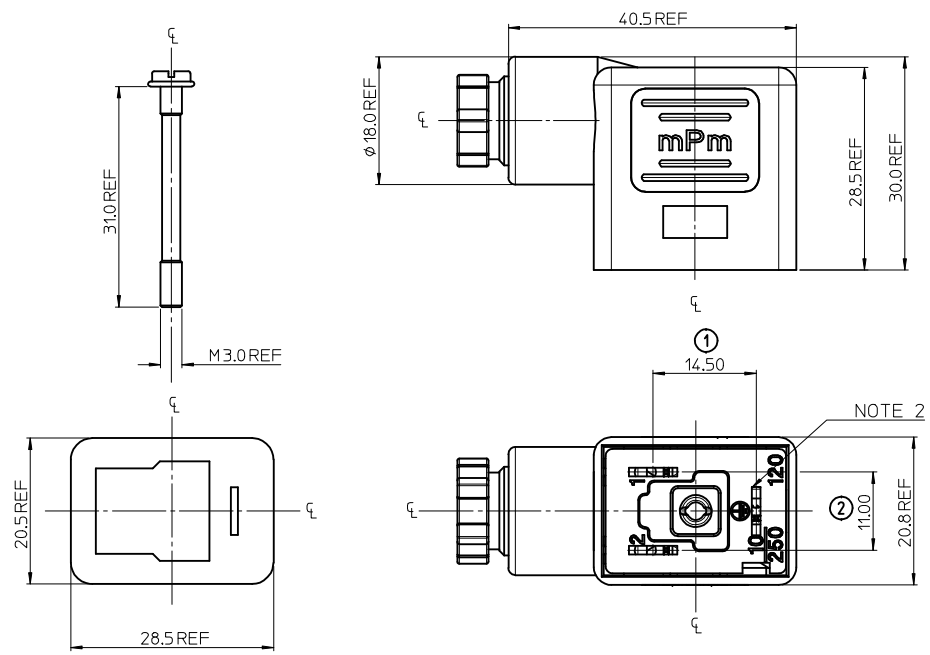
ITEM	DESCRIPTION
1	SCREW
2	COVER ASSEMBLY
3	INSERT ASSEMBLY
4	GASKET

C12207N22\*\*

SERIES \_\_\_\_\_  
 C12= INTERNAL THREAD FORM B INDUSTRIAL  
 POLES \_\_\_\_\_  
 2= 2 POLE  
 THREAD SIZE \_\_\_\_\_  
 07= PG7, 09= PG9, M2=M12x1.5, M6=M16x1.5, M0= M20x1.5, 13= 1/2" NPTF  
 MATERIAL AND HOUSING COLOUR \_\_\_\_\_  
 G= PA6 GRAY, N= PA6 BLACK, W= PA6 BLACK V0, T= TRANSPARENT  
 GROUND POSITION \_\_\_\_\_  
 0= UNMOUNTED, 2= H12, 6= H6

SCREW AND GASKET \_\_\_\_\_  
 1= NBR PROFILE GASKET & SCREW  
 2= NBR FLAT GASKET & SCREW  
 3= WHITE SILICONE PROFILE GASKET & SCREW  
 4= WHITE SILICONE FLAT GASKET & SCREW  
 5= NBR PROFILE GASKET, NO SCREW  
 6= NBR FLAT GASKET, NO SCREW  
 A= NBR PROFILE GASKET & SCREW +2mm  
 G= NO GASKET, STANDARD SCREW  
 P= INTEGRATED NBR GASKET & IP67 SCREW ASSEMBLED

NON STANDARD COMPONENTS \_\_\_\_\_  
 AF= WITH SCREW MOUNTED  
 BS= FULLY UNMOUNTED  
 P7= IP67 COMPLIANT  
 2J= M3x31 INOX FIXING SCREW  
 14= PACKED IN NEUTRAL BAG  
 5A= SINGLE BAGGED  
 SA= UL LISTED



NOTE 2

- NOTES
- PLEASE SEE SHEET 2 FOR CURRENTLY CONFIGURED PART NUMBERS. FOR SPECIFIC PART NUMBERS PLEASE CONTACT SALES OR CONSULT THE INTELLIGENT PART NUMBERS IN THE TABLE ATTACHED.
  - EARTH POSITION SHOWN: H12
  - FOR PACKAGING SEE PACKAGING SPEC PK-121023-C12
  - PRODUCT SPEC: SEE PS-121201-001
  - PART NO 1210230107 SHOWN FOR ILLUSTRATION PURPOSES ONLY

LAST INSPECTION NUMBER 2

ADDED P/N EC NO: IPG2014-0576 DRW:KORNOYLE 2013/09/24 CHK:DSHEA 2013/09/25 APPR:STGERFIN 2013/10/08	QUALITY SYMBOLS ▽=0 ▽=0	GENERAL TOLERANCES (UNLESS SPECIFIED)		DIMENSION STYLE <b>MM ONLY</b>		SCALE <b>2:1</b>	DESIGN UNITS <b>METRIC</b>	THIRD ANGLE PROJECTION	
		4 PLACES ± --- ± --- 3 PLACES ± --- ± --- 2 PLACES ± 0.10 ± --- 1 PLACE ± 0.2 ± --- ANGULAR ± ---°	mm INCH ± --- ± --- ± 0.10 ± --- ± 0.2 ± --- ± ---°	DRAWN BY DSHEA	DATE 2011/05/19	TITLE <b>C12 SERIES INTERNAL THREAD</b>		<b>MOLEX INCORPORATED</b>	
REV	DESCRIPTION	DRAFT WHERE APPLICABLE MUST REMAIN WITHIN DIMENSIONS		MATERIAL NO. <b>SEE SHEET 2</b>		DOCUMENT NO. <b>SD-121023-006</b>		SHEET NO. <b>1 OF 2</b>	
		SIZE <b>A 2</b>		THIS DRAWING CONTAINS INFORMATION THAT IS PROPRIETARY TO MOLEX INCORPORATED AND SHOULD NOT BE USED WITHOUT WRITTEN PERMISSION					

PART NO	mPm NO	DESCRIPTION
1210230101	C12207G21	TYPE B INDUSTRIAL 2P PG7 GRAY NBR PROFILE GASKET
1210230105	C12207N21	TYPE B INDUSTRIAL 2P PG7 BLACK NBR PROFILE GASKET
1210230107	C12207N22	TYPE B INDUSTRIAL 2P PG7 BLACK NBR FLAT GASKET
1210230108	C12207N24	TYPE B INDUSTRIAL 2P PG7 BLACK WHITE SILICON FLAT GASKET
1210230110	C12207N62	TYPE B INDUSTRIAL 2P PG7 BLACK NBR FLAT GASKET
1210230118	C12209G21	TYPE B INDUSTRIAL 2P PG9 GRAY NBR PROFILE GASKET
1210230122	C12209N21	TYPE B INDUSTRIAL 2P PG9 BLACK NBR PROFILE GASKET
1210230125	C12209N22	TYPE B INDUSTRIAL 2P PG9 BLACK NBR FLAT GASKET
1210230127	C12209N22AF	TYPE B INDUSTRIAL 2P PG9 BLACK NBR FLAT GASKET WITH SCREW MOUNTED
1210230128	C12209N23	TYPE B INDUSTRIAL 2P PG9 BLACK WHITE SILICON PROFILE GASKET
1210230129	C12209N24	TYPE B INDUSTRIAL 2P PG9 BLACK WHITE SILICON FLAT GASKET
1210230130	C12209N25	TYPE B INDUSTRIAL 2P PG9 BLACK NBR PROFILE GASKET, NO SCREW
1210230136	C12209N2A	TYPE B INDUSTRIAL 2P PG9 BLACK NBR PROFILE GASKET & SCREW +2mm
1210230137	C12209N2G	TYPE B INDUSTRIAL 2P PG9 BLACK NO GASKET, & STANDARD SCREW
1210230139	C12209N62	TYPE B INDUSTRIAL 2P PG9 BLACK NBR FLAT GASKET
1210230142	C12209T21	TYPE B INDUSTRIAL 2P PG9 TRANSPARENT NBR PROFILE GASKET
1210230150	C12209W21	TYPE B INDUSTRIAL 2P PG9 BLACK V0 NBR PROFILE GASKET
1210230162	C12213N21	TYPE B INDUSTRIAL 2P 1/2" NPTF BLACK NBR PROFILE GASKET
1210230650	C122M6N21	TYPE B INDUSTRIAL 2P M16x1.5 BLACK NBR PROFILE GASKET
1210230663	C122M0N21	TYPE B INDUSTRIAL 2P M20x1.5 BLACK NBR PROFILE GASKET
1210230671	C122M6N22	TYPE B INDUSTRIAL 2P M16x1.5 BLACK NBR FLAT GASKET
1210230676	C122M6N22AF	TYPE B INDUSTRIAL 2P M16x1.5 BLACK NBR FLAT GASKET WITH SCREW MOUNTED
1210230726	C12209N21BS	TYPE B INDUSTRIAL 2P PG9 BLACK NBR PROFILE GASKET FULLY UNMOUNTED
1210230738	C12209N21P7	TYPE B INDUSTRIAL 2P PG9 BLACK NBR PROFILE GASKET IP67 COMPLIANT
1210230812	C122M6N2P	TYPE B INDUSTRIAL 2P M16x1.5 BLACK INTEGRATED NBR GASKET & IP67 SCREW ASSEMBLED
1210230842	C12209N61	TYPE B INDUSTRIAL 2P PG9 BLACK NBR PROFILE GASKET
1210240032	C12207N212J	TYPE B INDUSTRIAL 2P PG7 BLACK NBR PROFILE GASKET M3x31 INOX FIXING SCREW
1210240056	C12209N212J	TYPE B INDUSTRIAL 2P PG9 BLACK NBR PROFILE GASKET M3x31 INOX FIXING SCREW
1210240062	C12209N215A	TYPE B INDUSTRIAL 2P PG9 BLACK NBR PROFILE GASKET SINGLE BAGGED 500 IN A BOX
1210240098	C12213N2114	TYPE B INDUSTRIAL 2P 1/2" NPTF BLACK NBR PROFILE GASKET IN NEUTRAL BAG
1210240501	C12209N2114	TYPE B INDUSTRIAL 2P PG9 BLACK NBR PROFILE GASKET IN NEUTRAL BAG
1210230850	C12213N62	TYPE B INDUSTRIAL 2P 1/2" NPTF BLACK NBR FLAT GASKET
1210230852	C122M6W21SA	TYPE B INDUSTRIAL 2P M16x1.5 BLACK V0 NBR PROFILE GASKET, UL LISTED, H12
1210230776	C122M6W62SA	TYPE B INDUSTRIAL 2P M16x1.5 BLACK V0, NBR FLAT GASKET, UL LISTED, H6

<b>SEE SHEET 1</b> EC NO: IPG2014-0576 DRW:KORNOYLE 2013/09/24 CHKD:DSHEA 2013/09/25 APPR:STGRiffin 2013/10/08	DESCRIPTION REV	QUALITY SYMBOLS ▽=0 ▽=0	GENERAL TOLERANCES (UNLESS SPECIFIED) <table border="1"> <thead> <tr> <th></th> <th>mm</th> <th>INCH</th> </tr> </thead> <tbody> <tr><td>4 PLACES</td><td>± ---</td><td>± ---</td></tr> <tr><td>3 PLACES</td><td>± ---</td><td>± ---</td></tr> <tr><td>2 PLACES</td><td>± 0.10</td><td>± ---</td></tr> <tr><td>1 PLACE</td><td>± 0.2</td><td>± ---</td></tr> <tr><td colspan="3">ANGULAR ± ---°</td></tr> </tbody> </table>		mm	INCH	4 PLACES	± ---	± ---	3 PLACES	± ---	± ---	2 PLACES	± 0.10	± ---	1 PLACE	± 0.2	± ---	ANGULAR ± ---°			DIMENSION STYLE <b>MM ONLY</b>	SCALE <b>2:1</b>	DESIGN UNITS <b>METRIC</b>	THIRD ANGLE PROJECTION 
			mm	INCH																					
		4 PLACES	± ---	± ---																					
		3 PLACES	± ---	± ---																					
2 PLACES	± 0.10	± ---																							
1 PLACE	± 0.2	± ---																							
ANGULAR ± ---°																									
		DRAWN BY DSHEA	DATE 2011/05/19	TITLE <b>C12 SERIES INTERNAL THREAD</b>																					
		CHECKED BY DMAHER	DATE 2011/05/27	<b>MOLEX INCORPORATED</b>																					
		APPROVED BY EFOLAN	DATE 2011/06/08	MATERIAL NO. <b>SEE TABLE</b>	DOCUMENT NO. <b>SD-121023-006</b>	SHEET NO. <b>2 OF 2</b>																			
		DRAFT WHERE APPLICABLE MUST REMAIN WITHIN DIMENSIONS		THIS DRAWING CONTAINS INFORMATION THAT IS PROPRIETARY TO MOLEX INCORPORATED AND SHOULD NOT BE USED WITHOUT WRITTEN PERMISSION																					