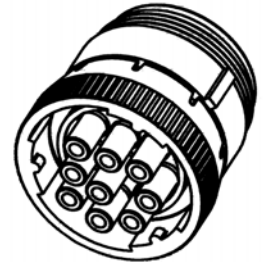
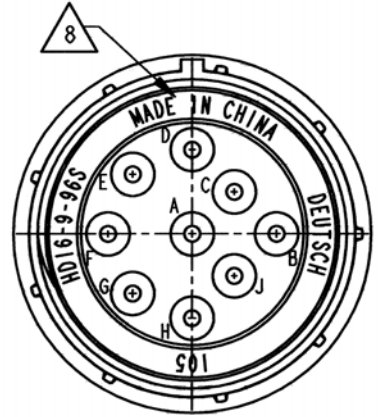
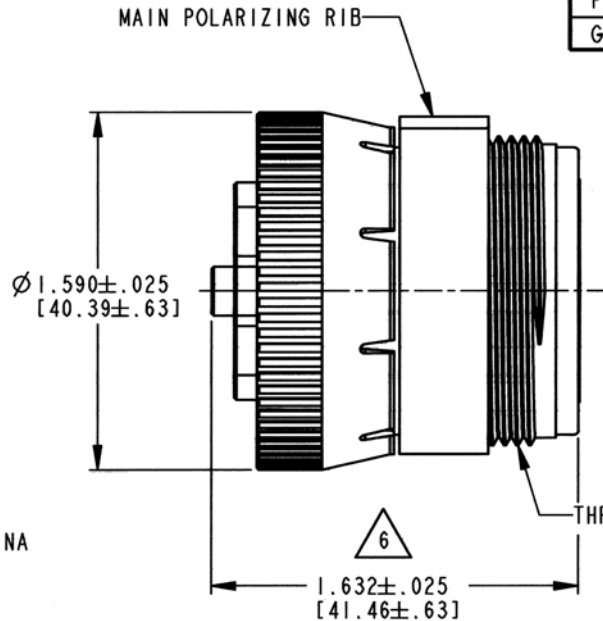
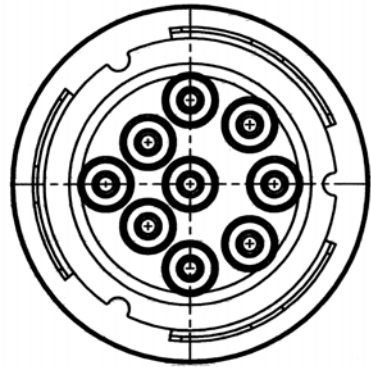


REV
G HD16-9-96S

REVISIONS			
SYM	DESCRIPTION	DATE	APPROVED
D	REVISED PER E.O. P16237	09/22/99	R. D. R.
E	REVISED PER E.O. P17741	12/27/02	R. D. R.
F	REVISED PER E.O. P20804	3/9/11	R. D. R.
G	REVISED PER E.O. P21133	9-29-11	ADA



3D VIEW

- 8. COUNTRY OF ORIGIN IF OTHER THAN USA. EXAMPLE: MADE IN CHINA
- 7. MATERIAL: SHELL: PLASTIC; SEAL: RUBBER.
- 6. OVERALL DIMENSION DOES NOT INCLUDE RUBBER GROMMET.
- 5. THIS PLUG MATES WITH HD10-9-96P*-**** RECEPTACLE AND HD14-9-96P*-**** RECEPTACLE (*=SEAL TYPE, ****= ALL MODIFICATIONS).
- 4. FOR "PERFORMANCE AND APPLICATION CHARACTERISTICS OF SOLID/STAMPED AND FORMED CONTACTS AND WIRES" SEE ENVELOPE DRAWING 0425-015-0000. THIS PLUG USES SOCKET CONTACTS ONLY.
- 3. ALL DIMENSIONS ARE IN INCHES [MILLIMETERS].
- 2. THIS CONNECTOR SERIES WILL ACCOMMODATE THE FOLLOWING WIRE INSULATION DIAMETERS:

CONTACT SIZE	MINIMUM O.D.	MAXIMUM O.D.
16	.100 [2.54]	.150 [3.81]

1. CONSULT FACTORY FOR ELECTRICAL AND MATERIAL SPECIFICATIONS.
NOTES:

SIGNATURE & DATE	
DR	R. OCHOA 8-14-98
CHK	<i>[Signature]</i> 9/29/01
PE	<i>[Signature]</i> 9/29/01
APPD	<i>[Signature]</i> 9/29/01
SCALE	NONE WT

PLUG CONNECTOR
HD10 SERIES
ARR. 9-96
COLOR: GREY

ENVELOPE

EP	MATL. CODE
3850 INDUSTRIAL AVE. HEMET, CA 92545 DEUTSCH INDUSTRIAL	
B	HD16-9-96S
DWG SIZE	CODE 11139 SHEET OF