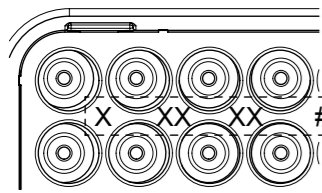
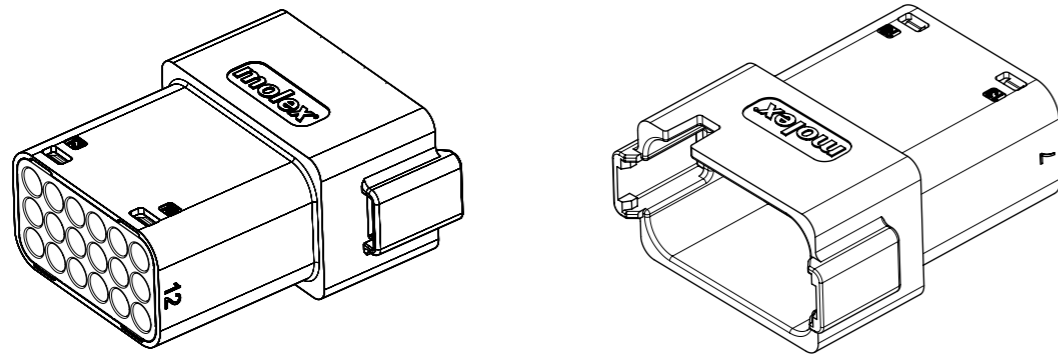


**NOTES**  
 1. SEE SHEETS 2 TO 7 FOR UNSPECIFIED NOTES, DIMENSIONS AND PART NUMBERS

SYMBOLS		THIS DRAWING CONTAINS INFORMATION THAT IS PROPRIETARY TO MOLEX ELECTRONIC TECHNOLOGIES, LLC AND SHOULD NOT BE USED WITHOUT WRITTEN PERMISSION		CURRENT REV DESC: PROPOSED		<b>molex</b>	
▽ = 0	mm	SCALE	1.5:1	EC NO: 167662			
▽ = 0	GENERAL TOLERANCES (UNLESS SPECIFIED)		DRWN: JFLETCHER		2017/12/08	PRODUCT CUSTOMER DRAWING	
▽ = 0	ANGULAR TOL ± 2.0°		CHK'D: JDWALLACE		2018/02/07	DOCUMENT NUMBER	
▽ = 0	4 PLACES ±	APPR: JDWALLACE		2018/02/14	934430070		DOC TYPE
▽ = 0	3 PLACES ±	INITIAL REVISION:		DRWN: JFLETCHER		2015/12/08	DOC PART
▽ = 0	2 PLACES ± 0.1	DRWN: JALEXANDER		2016/01/08	APPR: JALEXANDER		REVISION
▽ = 0	1 PLACE ± 0.2	DRAFT WHERE APPLICABLE MUST REMAIN WITHIN DIMENSIONS		THIRD ANGLE PROJECTION		MATERIAL NUMBER	
▽ = 0	0 PLACES ±	DRAWING		A3-SIZE	SERIES		CUSTOMER
▽ = 0	DRAWING		A3-SIZE	SERIES		93443	SHEET NUMBER
DOCUMENT STATUS		P1	RELEASE DATE	2018/02/14	12:39:52	SEE CHART	
GENERAL MARKET		1 OF 7					

18CCT RECEPTACLE CONNECTOR



DETAIL A  
SCALE 2:1

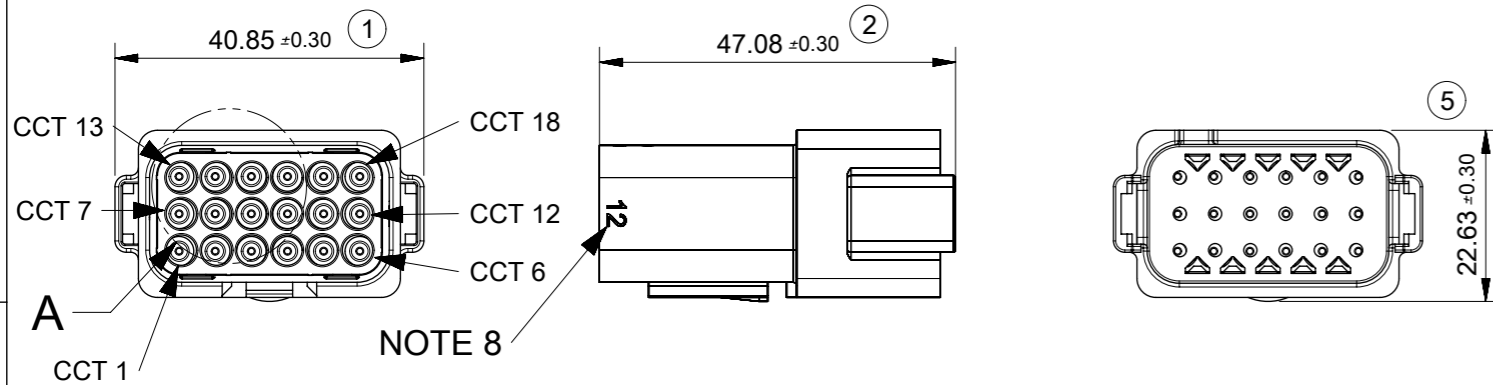
DATE CODE: X XX XX  
X — DAY: 1-7

X — WEEK: 01 - 52

X — YEAR: 00 - 99

# — MACHINE 1

EXAMPLE: 11315 = DAY 1, WEEK 13, YEAR 15  
i.e. 23rd OF MARCH 2015

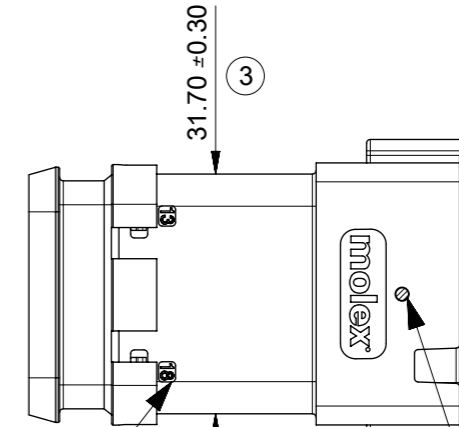
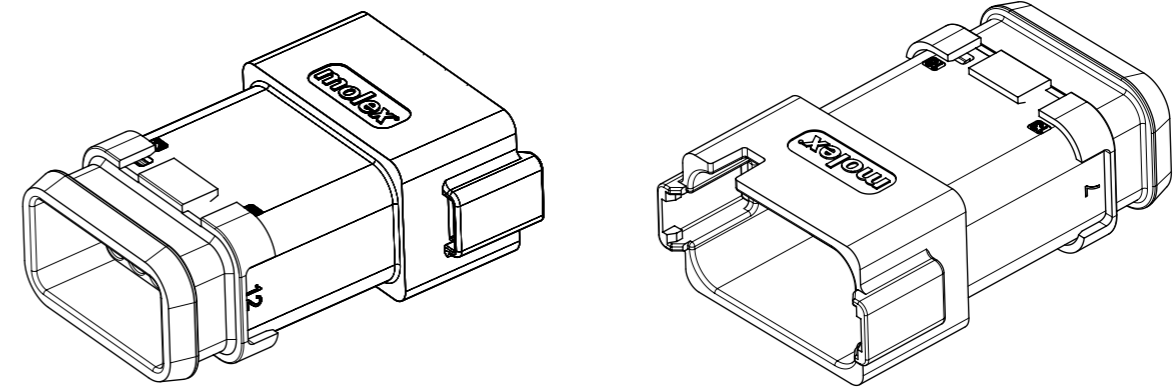


NOTE 8

NOTES

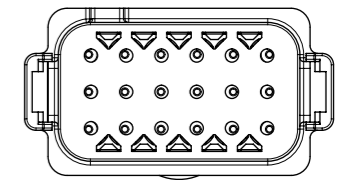
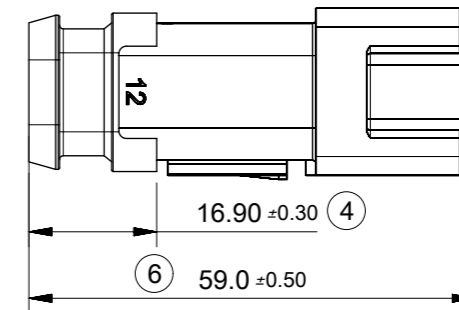
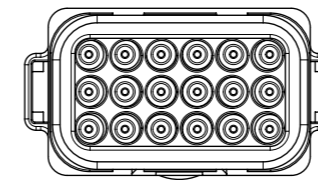
1. MATERIALS  
HOUSING: NYLON 30% GF  
BACK SEAL: HIGH CONSISTENCY RUBBER
2. CIRCUIT IDENTIFICATION
3. JACKET RANGE =  $\varnothing$ 1.4MM TO 3.05MM
4. SEE SHEET 3 FOR FINAL PART NUMBER DESIGNATION
5. SEE 934430010 PS P FOR PRODUCT SPECIFICATION
6. SEE 934430002 PS K FOR PACKAGING SPECIFICATION
7. ASSEMBLY AID CHECK MARK.
8. CIRCUIT ID NUMBERS "7" & "12" ON EITHER SIDE  
LAST INSPECTION NUMBER 6

18CCT RECEPTACLE CONNECTOR WITH  
HEATSHRINK HOUSING ULTRASONICALLY  
WELDED IN PLACE

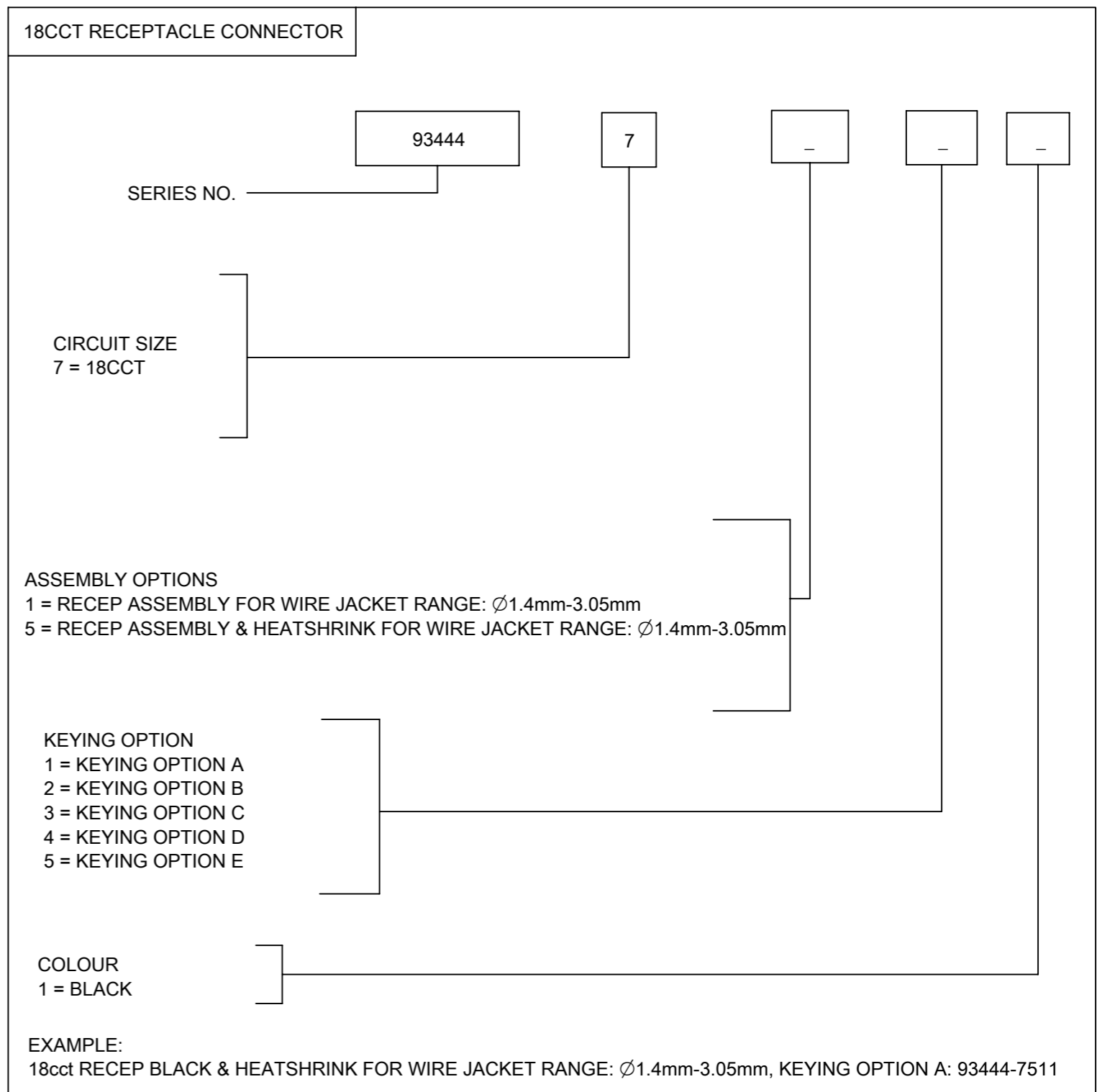
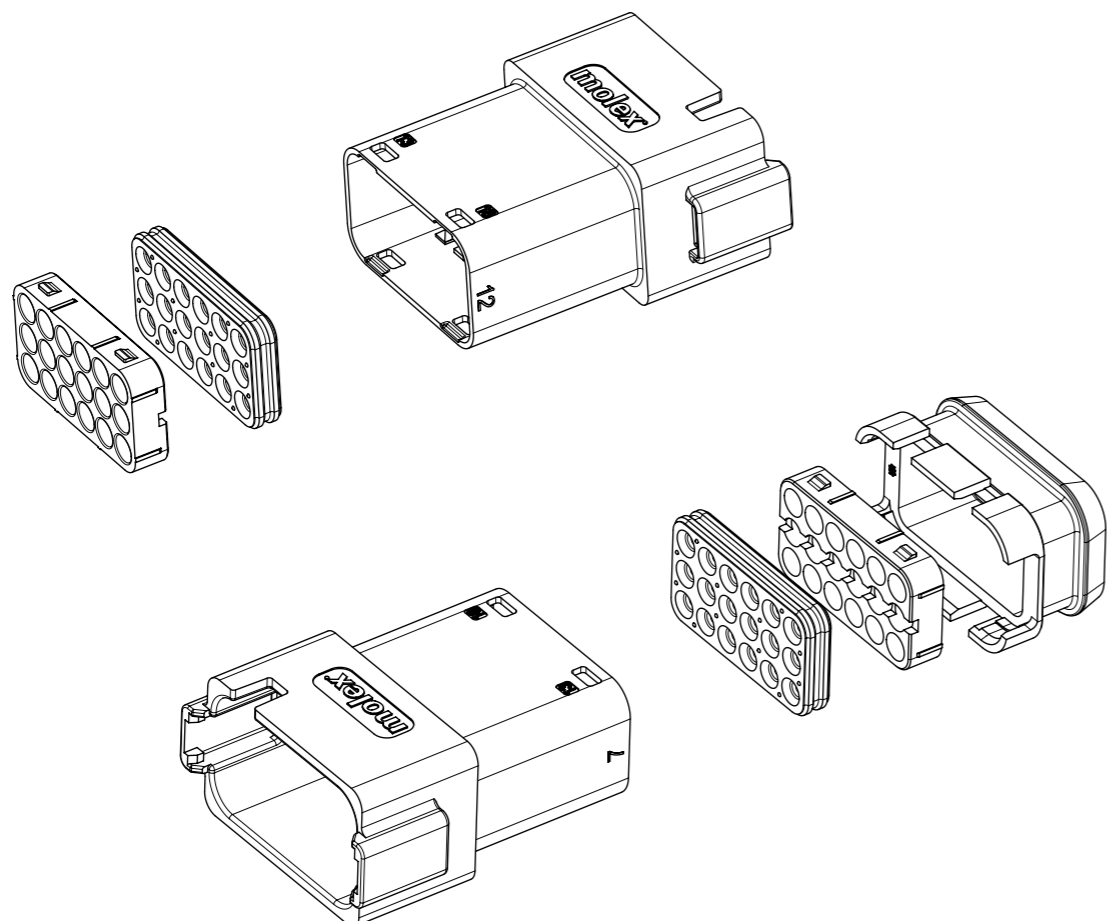


NOTE 2

NOTE 7



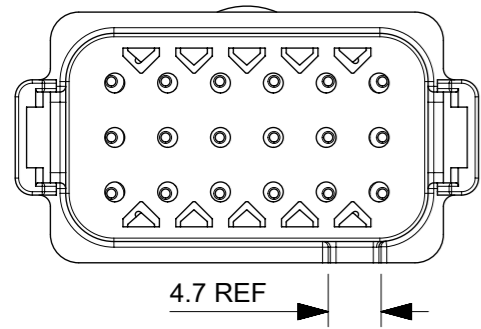
THIS DRAWING CONTAINS INFORMATION THAT IS PROPRIETARY TO MOLEX ELECTRONIC TECHNOLOGIES, LLC AND SHOULD NOT BE USED WITHOUT WRITTEN PERMISSION											
SYMBOLS		DIMENSION UNITS		SCALE		CURRENT REV DESC: PROPOSED					
▽ = 0		mm		1:1		<p>18CCT ML-XT CV CONNECTOR SYSTEM</p> <p>PRODUCT CUSTOMER DRAWING</p> <p>DOCUMENT NUMBER: 934430070    DOC TYPE: PSD    DOC PART: 000    REVISION: C</p> <p>MATERIAL NUMBER: SEE CHART    CUSTOMER: GENERAL MARKET    SHEET NUMBER: 2 OF 7</p>					
▽ = 0		GENERAL TOLERANCES (UNLESS SPECIFIED)									
▽ = 0		ANGULAR TOL ± 2.0°									
▽ = 0		4 PLACES ±									
▽ = 0		3 PLACES ±									
▽ = 0		2 PLACES ± 0.1									
▽ = 0		1 PLACE ± 0.2									
▽ = 0		0 PLACES ±									
□ = 0		DRAFT WHERE APPLICABLE MUST REMAIN WITHIN DIMENSIONS				THIRD ANGLE PROJECTION		DRAWING		SERIES	
▽ = 0				A3-SIZE		93443					
						EC NO: 167662		DRWN: JFLETCHER 2017/12/08		CHK'D: JDWALLACE 2018/02/07	
						APPR: JDWALLACE 2018/02/14		INITIAL REVISION:		DRWN: JFLETCHER 2015/12/08	
								APPR: JALEXANDER 2016/01/08			



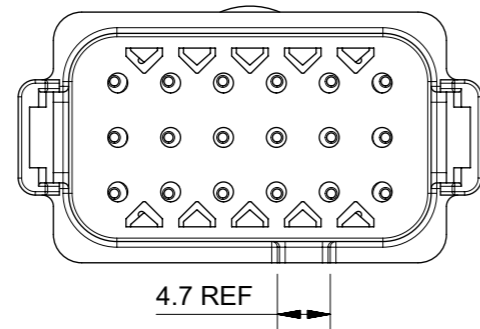
**NOTES**  
 1. SEE SHEET 2 FOR UNSPECIFIED NOTES AND DIMENSIONS

SYMBOLS	THIS DRAWING CONTAINS INFORMATION THAT IS PROPRIETARY TO MOLEX ELECTRONIC TECHNOLOGIES, LLC AND SHOULD NOT BE USED WITHOUT WRITTEN PERMISSION		CURRENT REV DESC: PROPOSED			<b>molex</b>		
	DIMENSION UNITS	SCALE						
▽ = 0	mm	1:1	EC NO: 167662			PRODUCT CUSTOMER DRAWING		
▽ = 0	GENERAL TOLERANCES (UNLESS SPECIFIED)		DRWN: JFLETCHER 2017/12/08			DOCUMENT NUMBER		
▽ = 0	ANGULAR TOL ± 2.0°		CHK'D: JDWALLACE 2018/02/07			DOC TYPE DOC PART REVISION		
▽ = 0	4 PLACES ±		APPR: JDWALLACE 2018/02/14			934430070 PSD 000 C		
▽ = 0	3 PLACES ±		INITIAL REVISION:			MATERIAL NUMBER		
▽ = 0	2 PLACES ± 0.1		DRWN: JFLETCHER 2015/12/08			CUSTOMER		
▽ = 0	1 PLACE ± 0.2		APPR: JALEXANDER 2016/01/08			SEE CHART GENERAL MARKET		
▽ = 0	0 PLACES ±		DRAFT WHERE APPLICABLE MUST REMAIN WITHIN DIMENSIONS			SHEET NUMBER		
▽ = 0	THIRD ANGLE PROJECTION		DRAWING		SERIES	3 OF 7		
▽ = 0	A3-SIZE		93443					

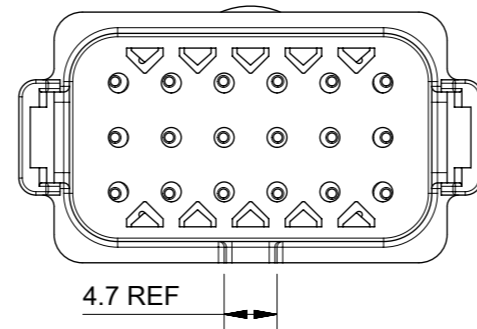
KEYING OPTION A



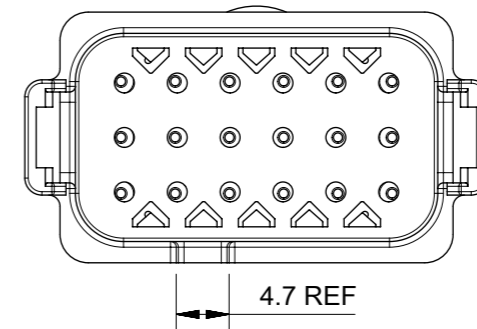
KEYING OPTION B



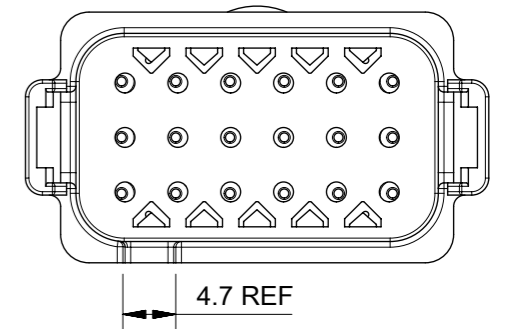
KEYING OPTION C



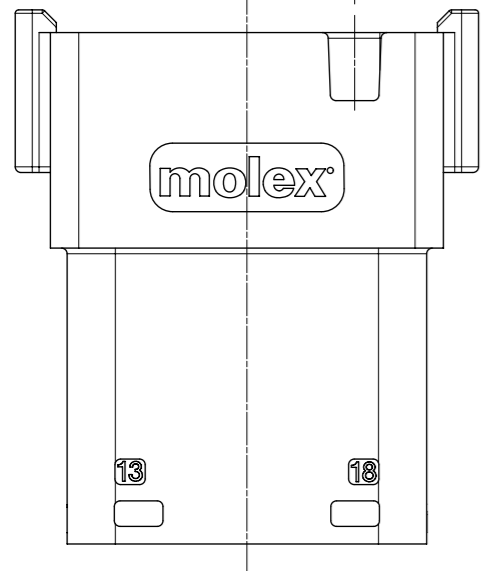
KEYING OPTION D



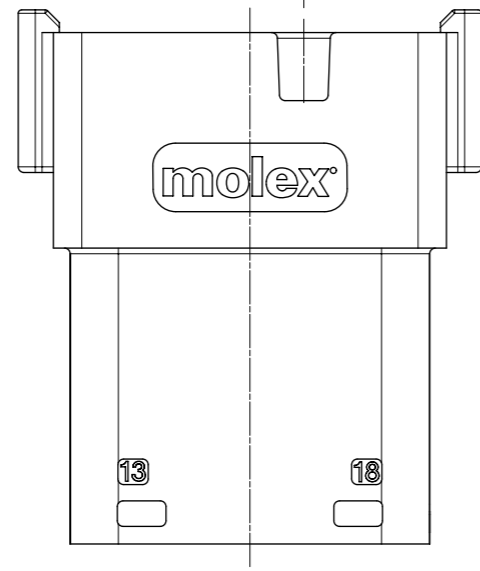
KEYING OPTION E



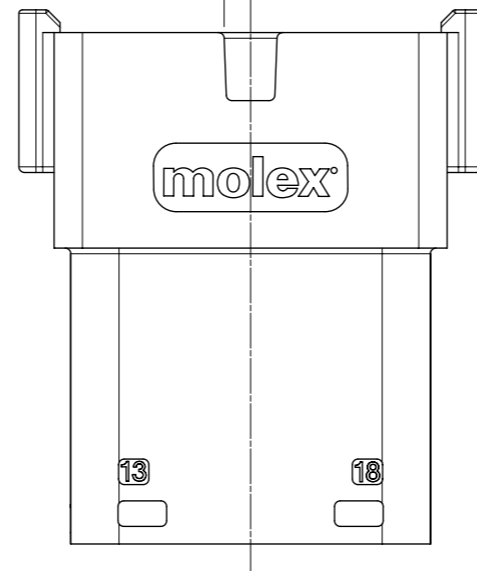
9.50 REF



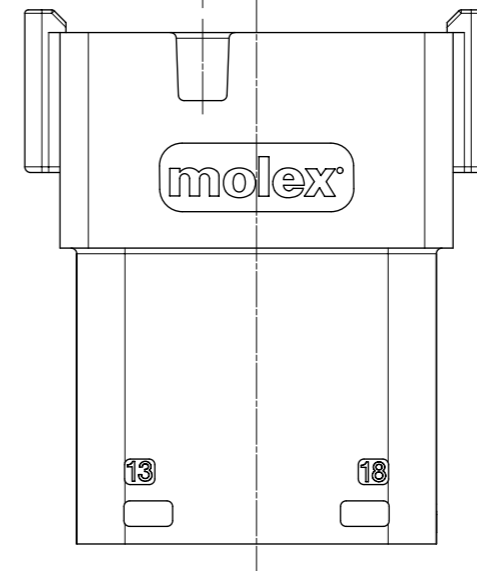
4.75 REF



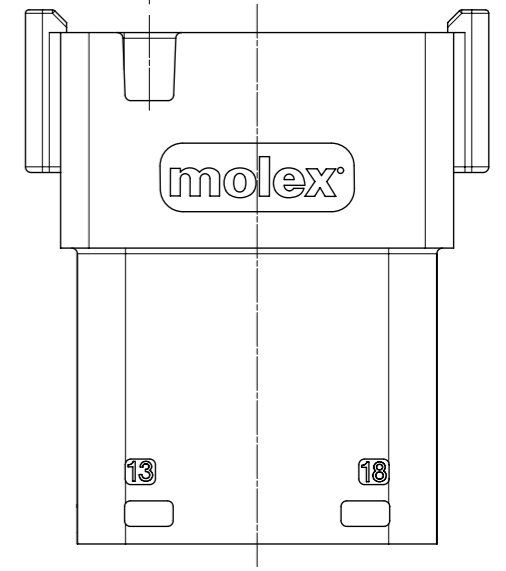
2.33 REF



4.75 REF



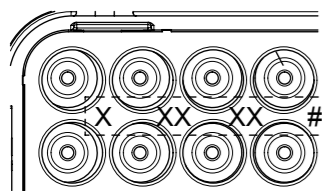
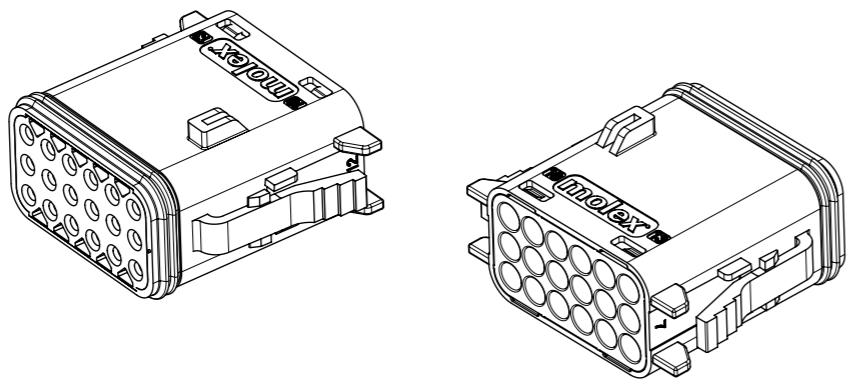
9.50 REF



NOTES  
1. SEE SHEETS 2 & 3 FOR UNSPECIFIED NOTES AND DIMENSIONS

SYMBOLS	THIS DRAWING CONTAINS INFORMATION THAT IS PROPRIETARY TO MOLEX ELECTRONIC TECHNOLOGIES, LLC AND SHOULD NOT BE USED WITHOUT WRITTEN PERMISSION		CURRENT REV DESC: PROPOSED			<b>molex</b>		
	DIMENSION UNITS	SCALE						
▽ = 0	mm	1.5:1	EC NO: 167662			18CCT ML-XT CV CONNECTOR SYSTEM		
▽ = 0	GENERAL TOLERANCES (UNLESS SPECIFIED)		DRWN: JFLETCHER 2017/12/08			PRODUCT CUSTOMER DRAWING		
▽ = 0	ANGULAR TOL ± 2.0°		CHK'D: JDWALLACE 2018/02/07			DOCUMENT NUMBER		
▽ = 0	4 PLACES ±		APPR: JDWALLACE 2018/02/14			934430070		
▽ = 0	3 PLACES ±		INITIAL REVISION:			DOC TYPE DOC PART REVISION		
▽ = 0	2 PLACES ± 0.1		DRWN: JFLETCHER 2015/12/08			PSD 000 C		
▽ = 0	1 PLACE ± 0.2		APPR: JALEXANDER 2016/01/08			MATERIAL NUMBER		
▽ = 0	0 PLACES ±		THIRD ANGLE PROJECTION			CUSTOMER		
▽ = 0	DRAFT WHERE APPLICABLE MUST REMAIN WITHIN DIMENSIONS		DRAWING			SHEET NUMBER		
▽ = 0			A3-SIZE			93443		
▽ = 0			SERIES			SEE CHART		
▽ = 0			GENERAL MARKET			4 OF 7		

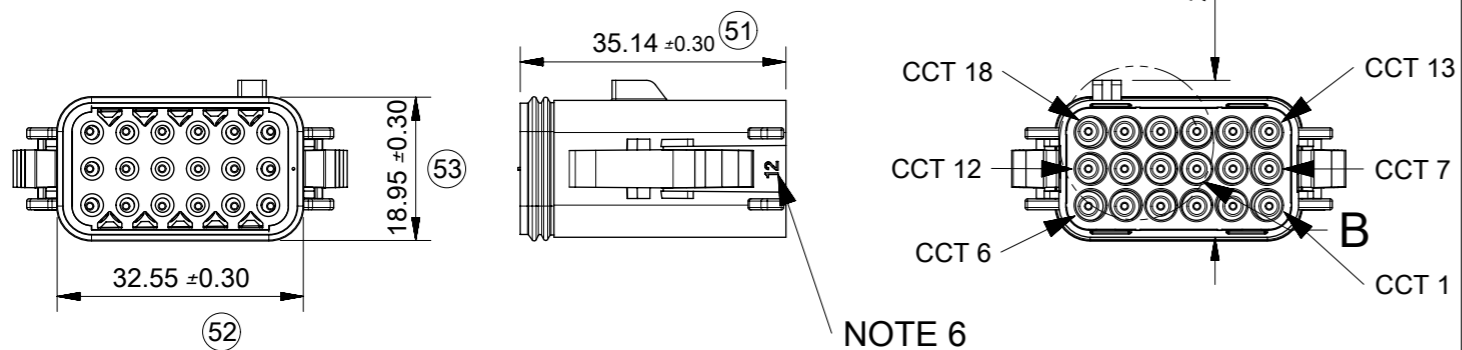
18CCT PLUG CONNECTOR



DETAIL B  
SCALE 2:1

DATE CODE: X XX XX  
 X — DAY: 1- 7  
 X — WEEK: 01 - 52  
 X — YEAR: 00 - 99  
 # — MACHINE 1  
 EXAMPLE: 11315 = DAY 1, WEEK 13, YEAR 15  
 i.e. 23rd OF MARCH 2015

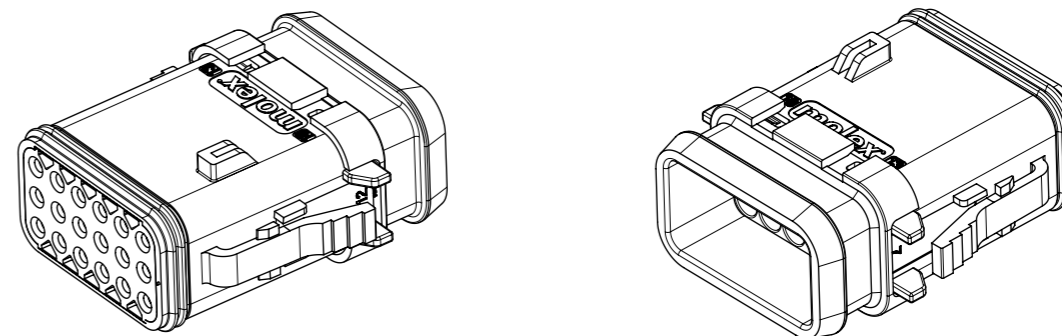
20.75 REF



NOTES

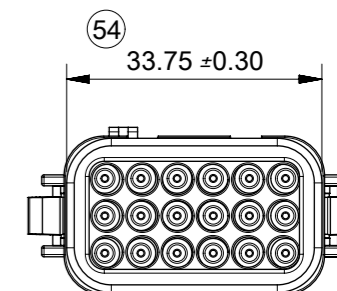
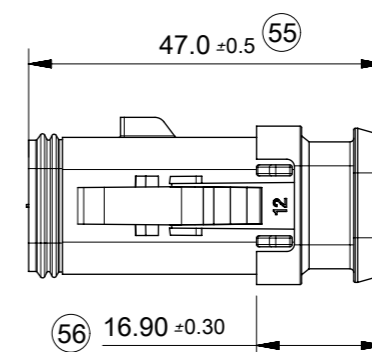
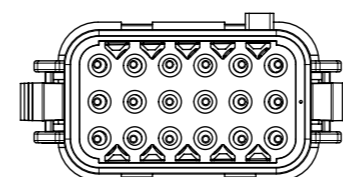
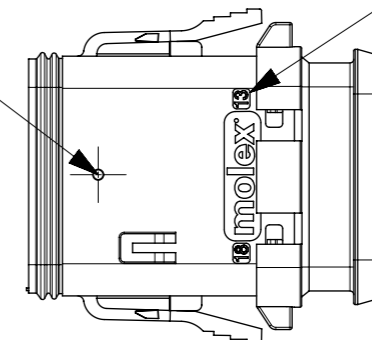
- MATERIALS  
 HOUSING: NYLON 30% GF  
 BACK SEAL: HIGH CONSISTENCY RUBBER  
 PLUG SEAL: SILICONE RUBBER
- CIRCUIT IDENTIFICATION
- JACKET RANGE =  $\varnothing$ 1.4MM TO 3.05MM
- SEE SHEET 6 FOR FINAL PART NUMBER DESIGNATION
- REFERENCE ASSEMBLY AID CHECK MARK
- CIRCUIT ID NUMBERS "7" & "12" ON EITHER SIDE  
 LAST INSPECTION NUMBER 56

18CCT PLUG CONNECTOR WITH  
HEATSHRINK HOUSING ULTRASONICALLY  
WELDED IN PLACE

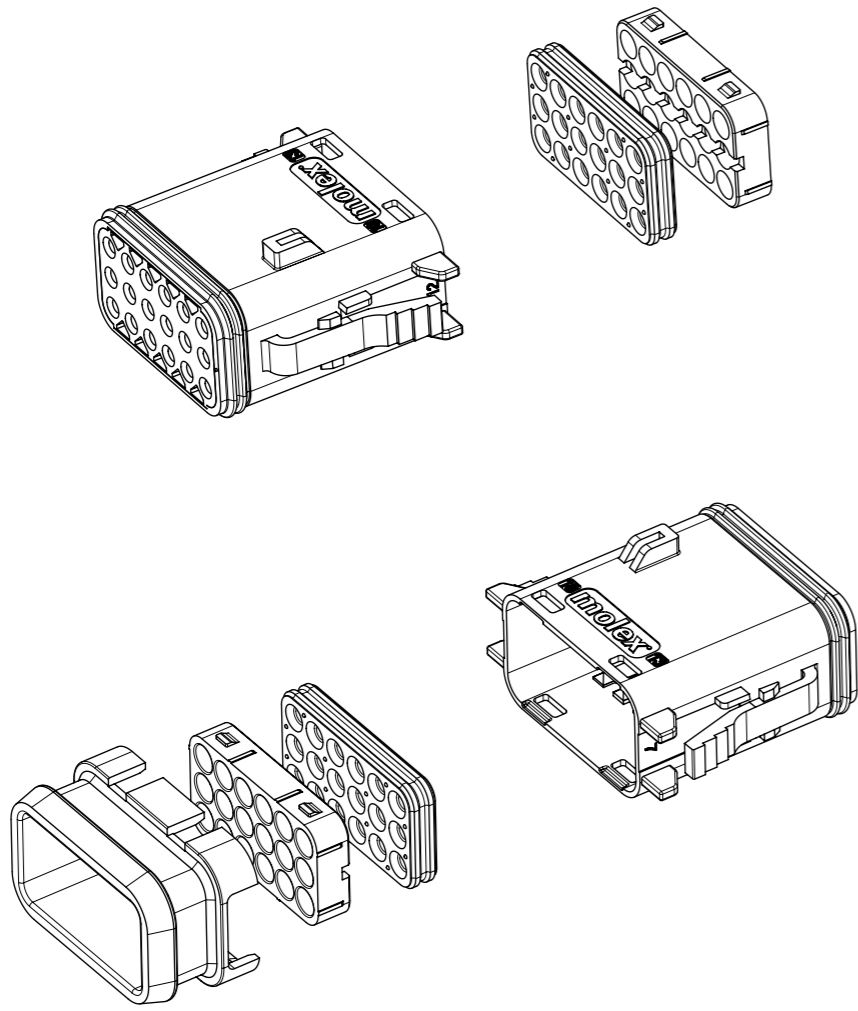


NOTE 5

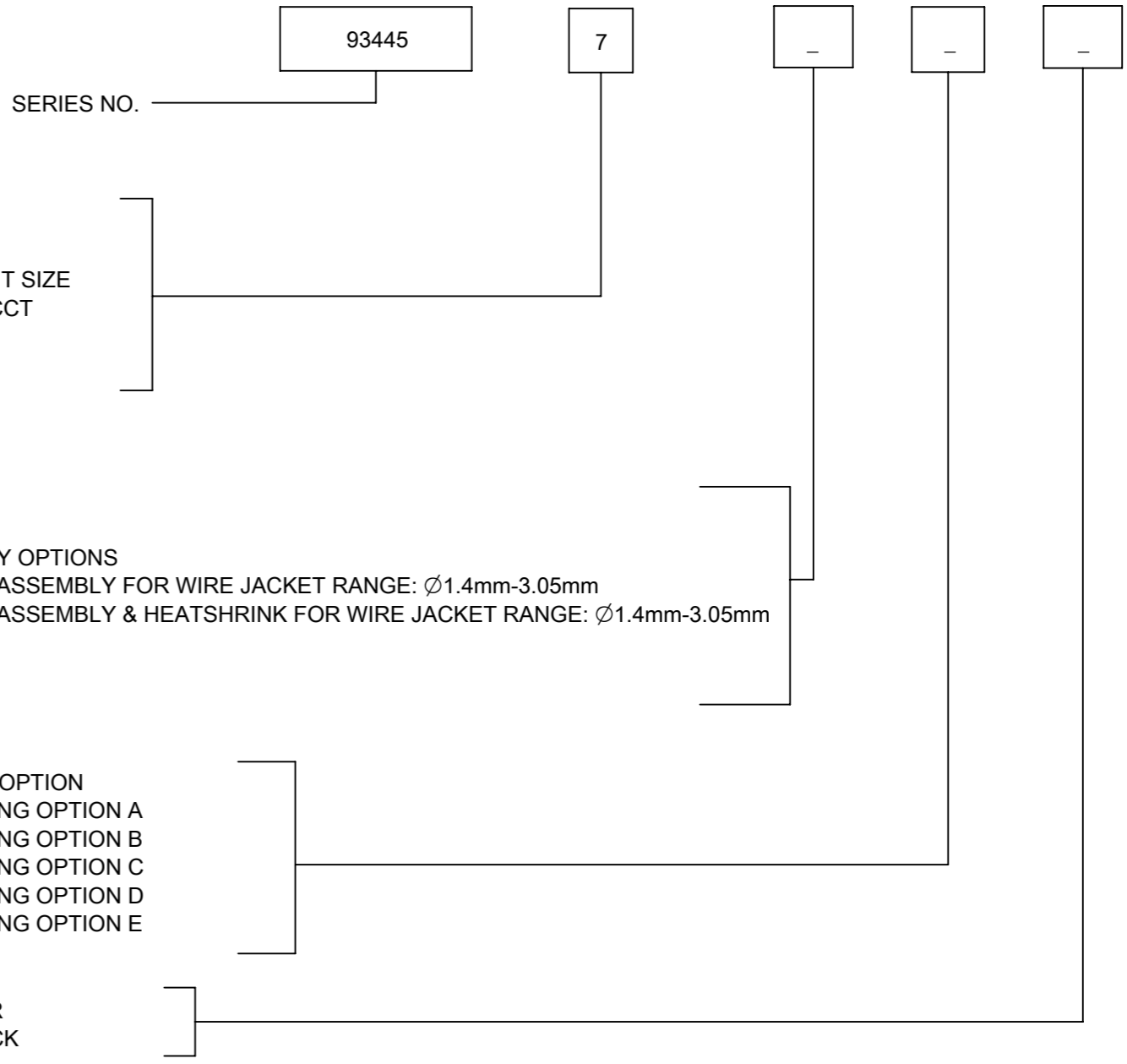
NOTE 2



SYMBOLS	THIS DRAWING CONTAINS INFORMATION THAT IS PROPRIETARY TO MOLEX ELECTRONIC TECHNOLOGIES, LLC AND SHOULD NOT BE USED WITHOUT WRITTEN PERMISSION		CURRENT REV DESC: PROPOSED			<b>molex</b>		
	DIMENSION UNITS	SCALE						
▽ = 0	mm	1:1				18CCT ML-XT CV CONNECTOR SYSTEM		
▽ = 0	GENERAL TOLERANCES (UNLESS SPECIFIED)					PRODUCT CUSTOMER DRAWING		
▽ = 0	ANGULAR TOL	± 2.0°				DOCUMENT NUMBER		
▽ = 0	4 PLACES	±	EC NO: 167662	2017/12/08	934430070			
▽ = 0	3 PLACES	±	DRWN: JFLETCHER	2018/02/07	PSD 000 C			
▽ = 0	2 PLACES	± 0.1	CHK'D: JDWALLACE	2018/02/14	DOCTYPE DOC PART REVISION			
▽ = 0	1 PLACE	± 0.2	APPR: JDWALLACE	2018/02/14	SEE CHART GENERAL MARKET 5 OF 7			
▽ = 0	0 PLACES	±	INITIAL REVISION:					
▽ = 0	DRAFT WHERE APPLICABLE MUST REMAIN WITHIN DIMENSIONS		DRWN: JFLETCHER	2015/12/08				
▽ = 0			APPR: JALEXANDER	2016/01/08				
		THIRD ANGLE PROJECTION	DRAWING	SERIES	MATERIAL NUMBER	CUSTOMER	SHEET NUMBER	
			A3-SIZE	93443	SEE CHART	GENERAL MARKET	5 OF 7	



18CCT PLUG CONNECTOR



ASSEMBLY OPTIONS  
 1 = PLUG ASSEMBLY FOR WIRE JACKET RANGE: Ø1.4mm-3.05mm  
 5 = PLUG ASSEMBLY & HEATSHRINK FOR WIRE JACKET RANGE: Ø1.4mm-3.05mm

KEYING OPTION  
 1 = KEYING OPTION A  
 2 = KEYING OPTION B  
 3 = KEYING OPTION C  
 4 = KEYING OPTION D  
 5 = KEYING OPTION E

COLOUR  
 1 = BLACK

EXAMPLE:  
 18cct PLUG BLACK & HEATSHRINK FOR WIRE JACKET RANGE: Ø1.4mm-3.05mm, KEYING OPTION A: 93445-7511

NOTES  
 1. SEE SHEET 5 FOR UNSPECIFIED NOTES AND DIMENSIONS

SYMBOLS ▽ = 0 ▽ = 0 ▽ = 0 ▽ = 0 ▽ = 0 ▽ = 0 ▽ = 0 ▽ = 0 ▽ = 0 ▽ = 0 ▽ = 0 ▽ = 0	THIS DRAWING CONTAINS INFORMATION THAT IS PROPRIETARY TO MOLEX ELECTRONIC TECHNOLOGIES, LLC AND SHOULD NOT BE USED WITHOUT WRITTEN PERMISSION	CURRENT REV DESC: PROPOSED						
	DIMENSION UNITS	SCALE	EC NO: 167662				18CCT ML-XT CV CONNECTOR SYSTEM	
	mm	1:1	DRWN: JFLETCHER 2017/12/08		PRODUCT CUSTOMER DRAWING			
	GENERAL TOLERANCES (UNLESS SPECIFIED)		CHK'D: JDWALLACE 2018/02/07		DOCUMENT NUMBER			
ANGULAR TOL ± 2.0°		APPR: JDWALLACE 2018/02/14		934430070		DOC TYPE	DOC PART	REVISION
4 PLACES ±		INITIAL REVISION:		PSD		000	C	
3 PLACES ±		DRWN: JFLETCHER 2015/12/08		SEE CHART		GENERAL MARKET		6 OF 7
2 PLACES ± 0.1		APPR: JALEXANDER 2016/01/08		MATERIAL NUMBER		CUSTOMER		SHEET NUMBER
1 PLACE ± 0.2		THIRD ANGLE PROJECTION		A3-SIZE		93443		
0 PLACES ±		DRAWING		SERIES		MATERIAL NUMBER		CUSTOMER
DRAFT WHERE APPLICABLE MUST REMAIN WITHIN DIMENSIONS		THIRD ANGLE PROJECTION		SERIES		MATERIAL NUMBER		CUSTOMER
		DRAWING		SERIES		MATERIAL NUMBER		CUSTOMER
		A3-SIZE		93443		SEE CHART		GENERAL MARKET

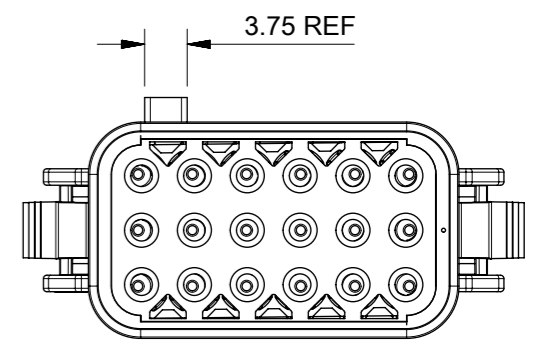
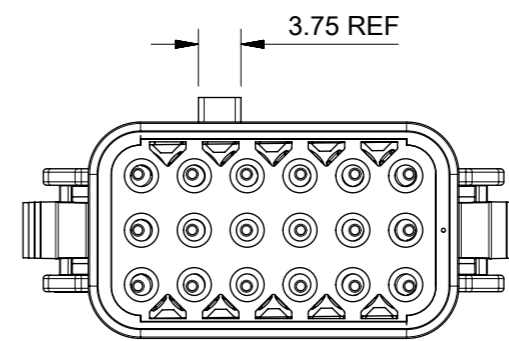
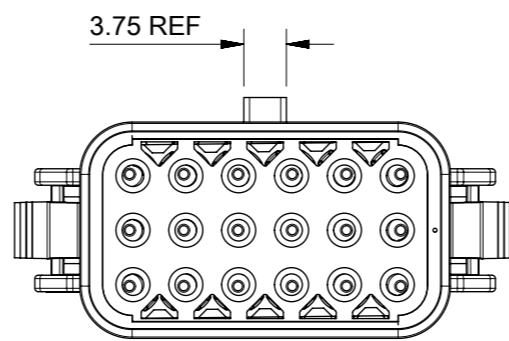
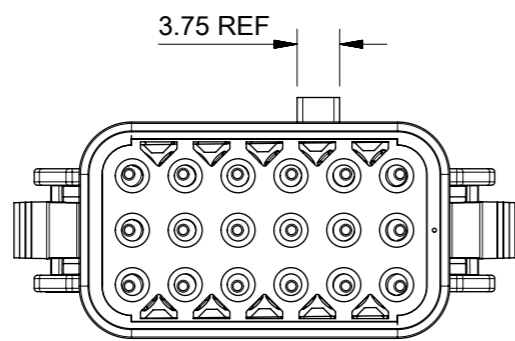
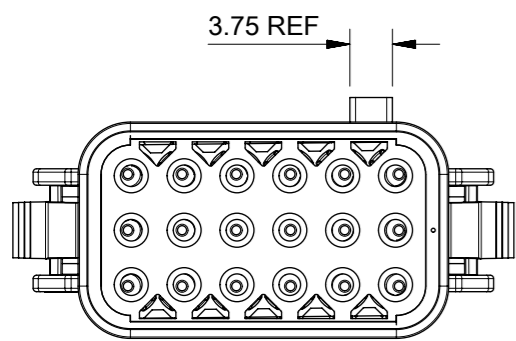
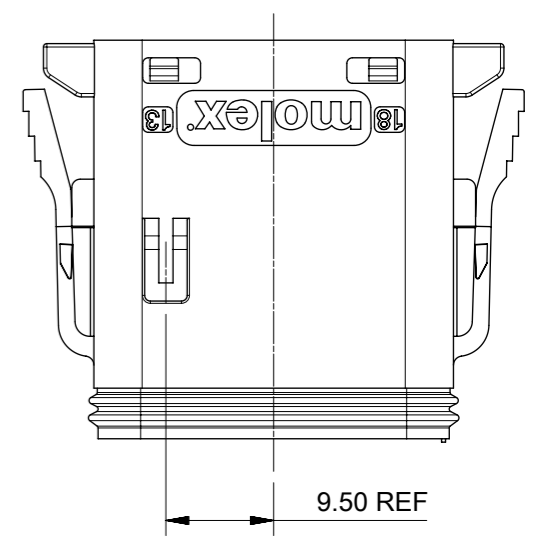
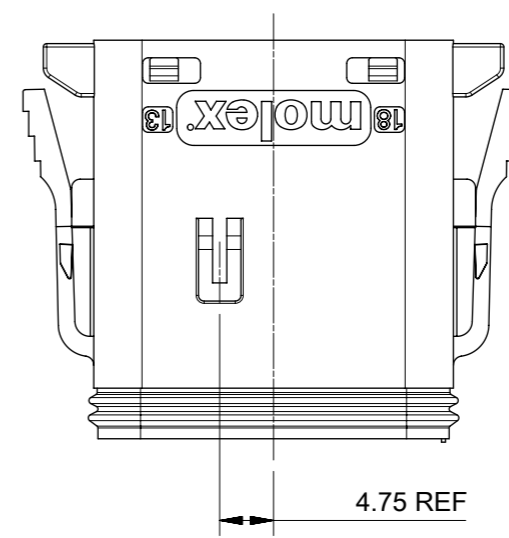
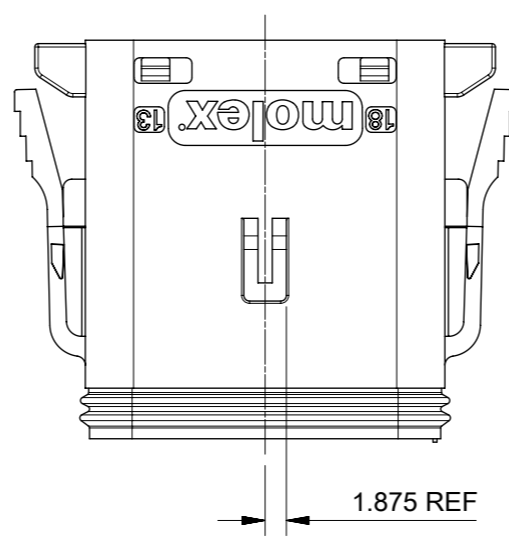
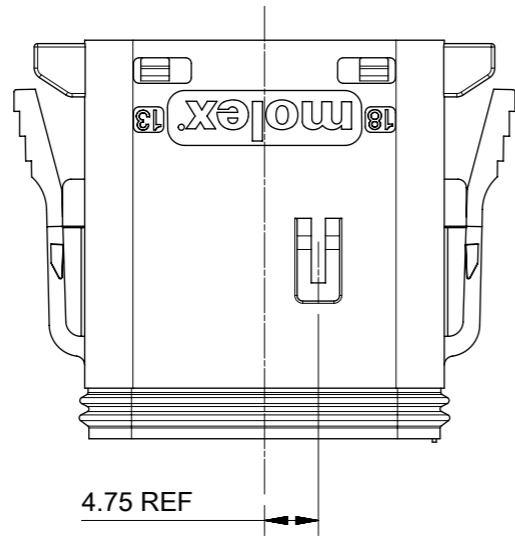
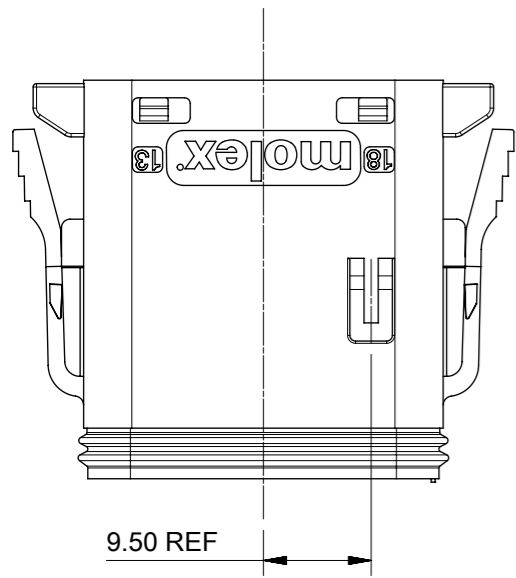
KEYING OPTION A

KEYING OPTION B

KEYING OPTION C

KEYING OPTION D

KEYING OPTION E



NOTES:  
1. SEE SHEETS 5 & 6 FOR UNSPECIFIED NOTES AND DIMENSIONS

SYMBOLS	THIS DRAWING CONTAINS INFORMATION THAT IS PROPRIETARY TO MOLEX ELECTRONIC TECHNOLOGIES, LLC AND SHOULD NOT BE USED WITHOUT WRITTEN PERMISSION		CURRENT REV DESC: PROPOSED			<b>molex</b>		
	DIMENSION UNITS	SCALE						
▽ = 0	mm	1.5:1	EC NO: 167662 DRWN: JFLETCHER 2017/12/08 CHK'D: JDWALLACE 2018/02/07 APPR: JDWALLACE 2018/02/14 INITIAL REVISION: DRWN: JFLETCHER 2015/12/08 APPR: JALEXANDER 2016/01/08			18CCT ML-XT CV CONNECTOR SYSTEM		
▽ = 0	GENERAL TOLERANCES (UNLESS SPECIFIED)					PRODUCT CUSTOMER DRAWING		
▽ = 0	ANGULAR TOL ± 2.0°					DOCUMENT NUMBER		
▽ = 0	4 PLACES ±					934430070		
▽ = 0	3 PLACES ±					DOC TYPE DOC PART REVISION		
▽ = 0	2 PLACES ± 0.1		PSD 000 C					
▽ = 0	1 PLACE ± 0.2		MATERIAL NUMBER					
▽ = 0	0 PLACES ±		CUSTOMER					
☒ = 0	DRAFT WHERE APPLICABLE MUST REMAIN WITHIN DIMENSIONS		THIRD ANGLE PROJECTION	DRAWING	SERIES	SHEET NUMBER		
▽ = 0				A3-SIZE	93443	SEE CHART	7 OF 7	