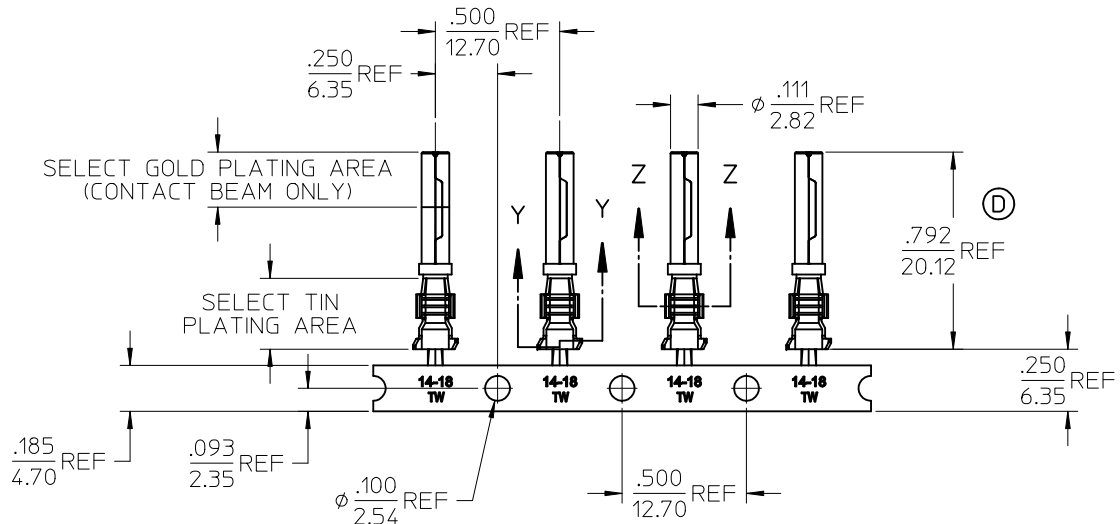
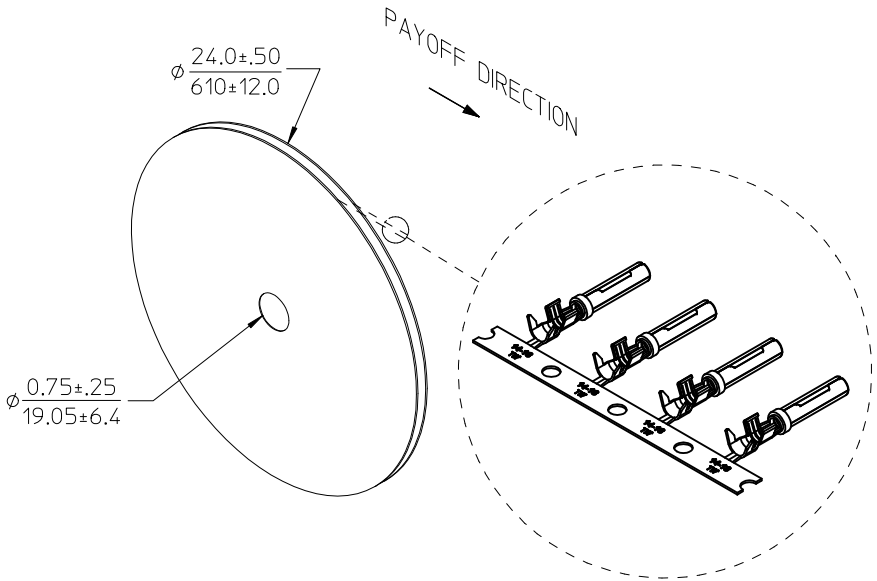


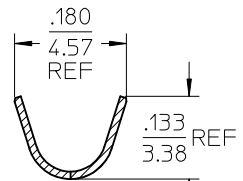
STRIP MATERIAL NUMBER	FINISH
84525-0017	SELECTIVE TIN 100μ INCH MINIMUM OVER NICKEL 80μ INCH MINIMUM OVERALL
84525-0039	SELECTIVE HARD GOLD 30μ INCH MINIMUM WITH SELECTIVE TIN 100μ INCH MINIMUM OVER NICKEL 50μ INCH MINIMUM OVERALL



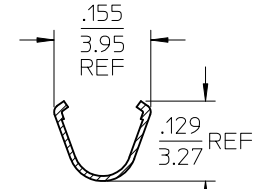
WIRE INSULATION O.D. RANGE $\frac{.075-.130}{1.90-3.30}$

NOTES:

1. TERMINAL MATERIAL: COPPER ALLOY, .0118/0.300 THICK. FINISH: SEE CHART.
2. HOOD MATERIAL: STAINLESS STEEL, .006/0.15 THICK.
3. STRIP PARTS ARE REELED 3000 PARTS PER REEL AS SHOWN ABOVE.
4. TERMINAL FOR USE WITH SERIES XRC CONNECTOR ASSEMBLIES.
5. ALL MATERIALS AND FINISHES ARE ROHS COMPLIANT.



Section Y-Y
Scale 5:1
INSULATION CRIMP



Section Z-Z
Scale 5:1
CONDUCTOR CRIMP

UPDATE LENGTH EC NO: IPG2012-0063 DRAWING/REV 2011/12/06 CHKD: CHKD: APPR: DTITUS 2012/01/09	QUALITY SYMBOLS	GENERAL TOLERANCES (UNLESS SPECIFIED)	DIMENSION STYLE	SCALE	DESIGN UNITS	THIRD ANGLE PROJECTION	
	$\nabla=0$ $\nabla=0$	mm INCH 4 PLACES ± --- ± --- 3 PLACES ± --- ± .005 2 PLACES ± 0.13 ± --- 1 PLACE ± --- ± --- ANGULAR ± ---°	IN/MM	2:1	INCH	DRAWN BY: MODELL DATE: 2009/04/03 CHECKED BY: RDEROSS DATE: 2009/04/03 APPROVED BY: DTITUS DATE: 2010/12/06	TITLE: XRC SOCKET W/SNAP WINDOW 14-18AWG .075"-.130" WIRE DIA Molex MOLEX INCORPORATED DOCUMENT NO. SD-84525-005
	DRAFT WHERE APPLICABLE MUST REMAIN WITHIN DIMENSIONS	SEE CHART	MATERIAL NO.	SD-84525-005	SHEET NO. 1 OF 1		
	THIS DRAWING CONTAINS INFORMATION THAT IS PROPRIETARY TO MOLEX INCORPORATED AND SHOULD NOT BE USED WITHOUT WRITTEN PERMISSION						