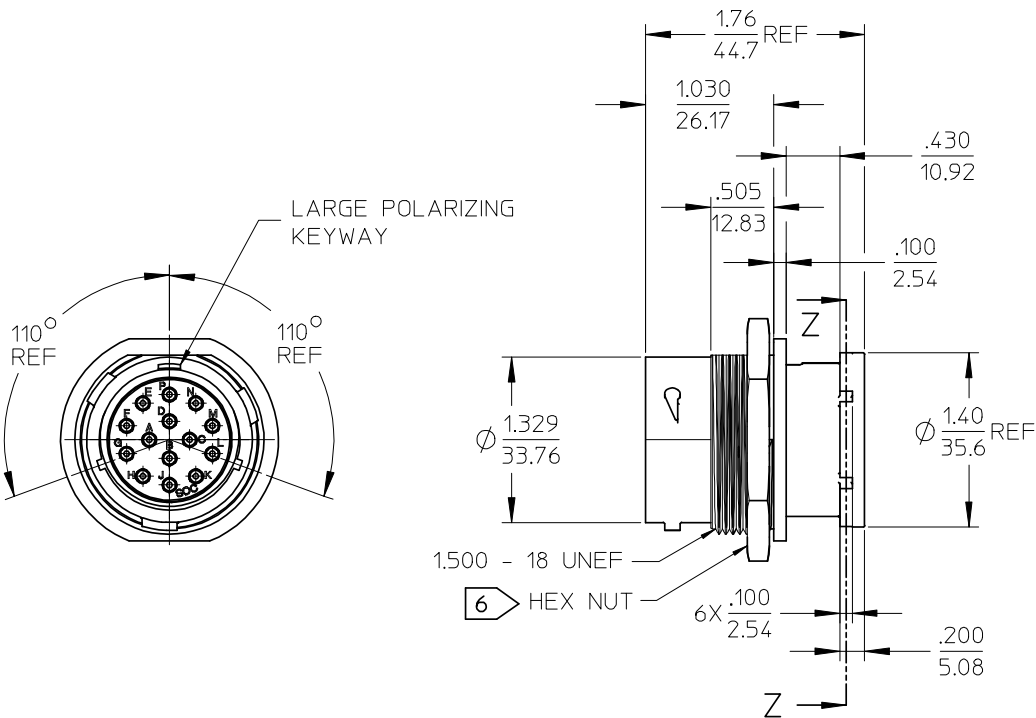
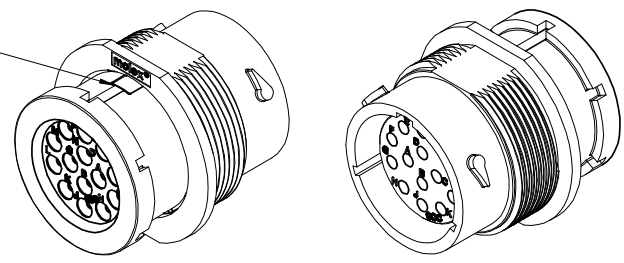


MATERIAL NUMBER	WIRE AWG	INSUL DIA O.D.
845080001	18-14	.053(1.35) - .120(3.05)

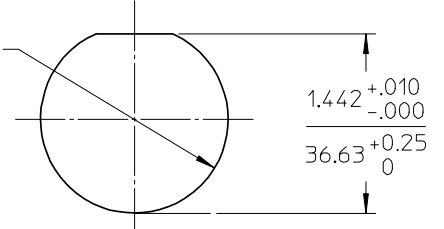
ⓑ



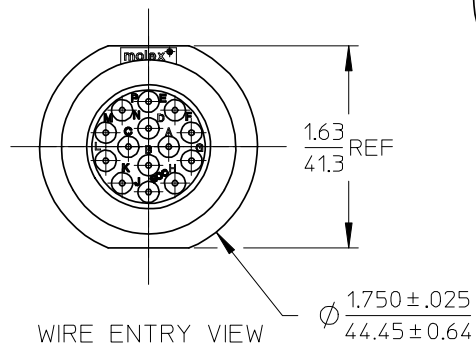
LARGE POLARIZING KEY INDICATOR



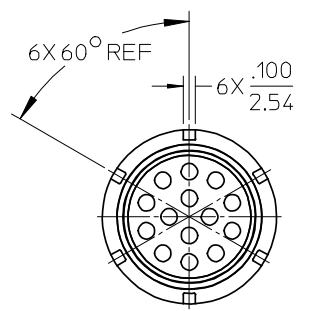
Ø 1.507 ± .005
38.28 ± 0.13



RECOMMENDED MOUNTING HOLE



WIRE ENTRY VIEW



SECTION Z-Z

- NOTES:
1. MATERIALS: HOUSINGS: POLYESTER (PBT), GLASS FILLED, UL94V-0 & POLYETHERIMIDE (PEI), UNFILLED, UL94V-0. COLOR, UNLESS OTHERWISE SPECIFIED: BLACK
SEALS: SILICONE RUBBER
COLOR: RUST RED
 2. PRODUCT SPECIFICATION: PS-84501-001.
 3. MATES WITH: SERIES 84501 PLUG CONNECTOR.
 4. USE CONNECTOR WITH FEMALE CRIMP TERMINAL SERIES 84590.
 5. ALL COMPONENTS ARE ROHS COMPLIANT.
 6. HEX NUT SOLD SEPARATELY, OPTIONAL FOR PANEL MOUNTING. MOLEX MATERIAL NUMBER 845020004.
 7. RECOMMENDED PANEL THICKNESS .062/1.58 TO .187/4.76

ⓑ

6

UPDATE NOTES & TABLE EC NO: WNA2008-0139 DR/MH/UNG 2008/02/27 CHKD:RDEROSS 2008/04/21 APPR:RDEROSS 2008/04/24	QUALITY SYMBOLS	GENERAL TOLERANCES (UNLESS SPECIFIED)	DIMENSION STYLE	SCALE	DESIGN UNITS	THIRD ANGLE PROJECTION
	▼=0 ▽=0	mm INCH 4 PLACES ± --- ± --- 3 PLACES ± --- ± .015 2 PLACES ± 0.38 ± --- 1 PLACE ± --- ± --- ANGULAR ± ---°	IN/MM	1:1	INCH	THIRD ANGLE PROJECTION RECPT. CONNECTOR ASSEMBLY, 18-14 POS SOCKET TERMINALS MOLEX INCORPORATED
	DESCRIPTION	DRAFT WHERE APPLICABLE MUST REMAIN WITHIN DIMENSIONS	DRAWN BY DATE DMYRICK 2006/6/26 CHECKED BY DATE JPAWLICKI 2006/6/26 APPROVED BY DATE RDEROSS 2006/6/26	TITLE	DOCUMENT NO.	SHEET NO.
	B	SEE CHART	MATERIAL NO.	SD-84508-001	SD-84508-001	1 OF 1