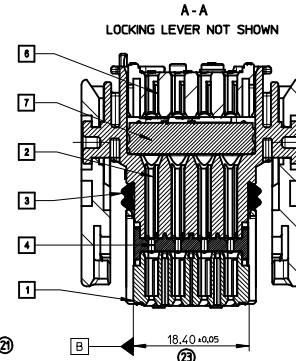
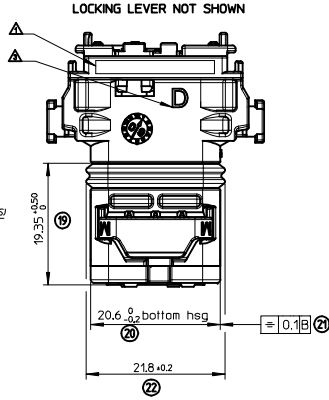
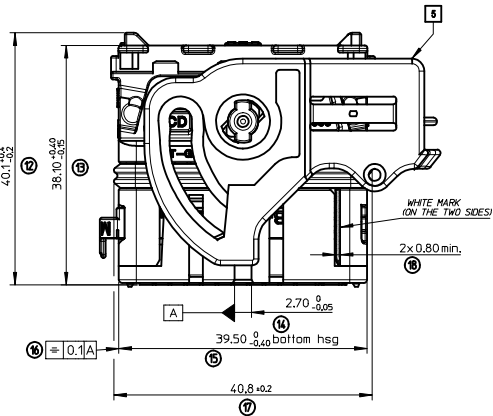
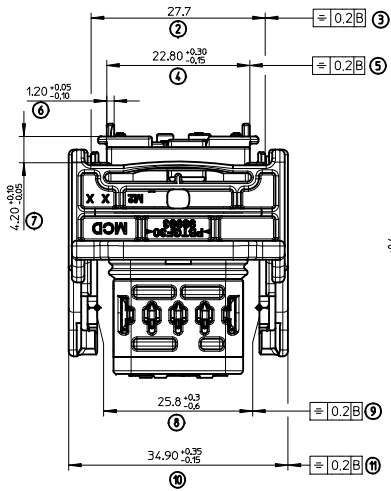


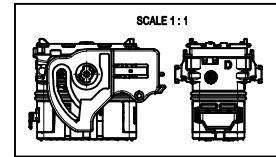
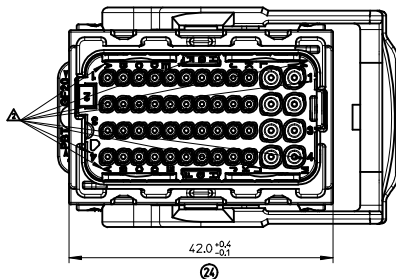
**LEFT WIRE OUTPUT**

MATERIAL NUMBER	COLOR
0643201311	BLACK
0643201318	GREY
0643201319	BROWN
0643201315	GREEN



**RIGHT WIRE OUTPUT**

MATERIAL NUMBER	COLOR
0643203311	BLACK
0643203318	GREY
0643203319	BROWN
0643203315	GREEN



**NOTES:**

- FOR ILLUSTRATION PURPOSE THE FEMALE HOUSING SHOWN IS THE RIGHT WIRE OUTPUT VERSION CODING 1
- APPLICATION SPECIFICATION: AS-64319-001
- WIRES EXTERNAL DIAMETER USED:  
FOR CP16 TERMINAL: USE WIRES WITH AN EXTERNAL DIAMETER BETWEEN #125MM MIN AND #150MM MAX  
FOR CP15 TERMINAL: USE WIRES WITH AN EXTERNAL DIAMETER BETWEEN #140MM MIN AND #280MM MAX
- THE CONNECTOR FITS WITH WIRE CAP (48 WAY) MOLEX P/N 0643201301
- BLIND PLUG FOR 06 AND 15 CAVITIES MOLEX P/N 0643251010 AND 0643251023 MUST BE USED ON THIS PART.
- DELIVERED PRODUCT WEIGHT: 33.8 g

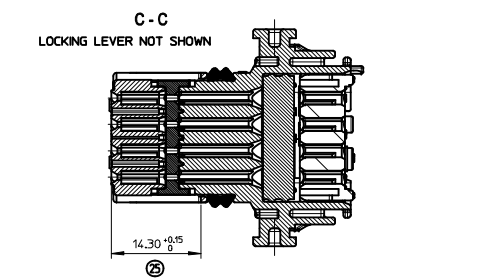
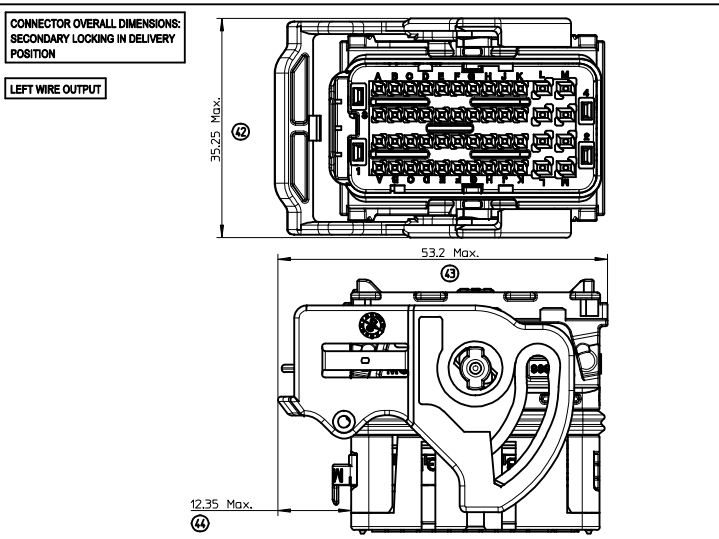
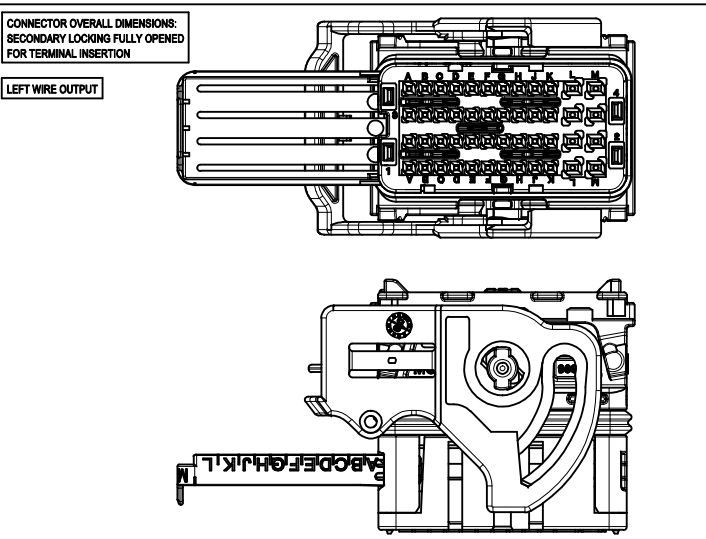
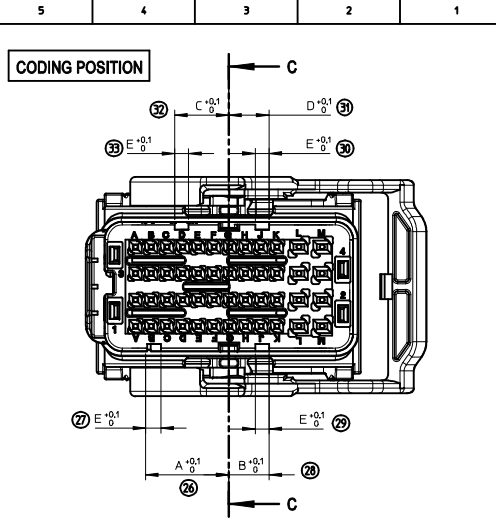
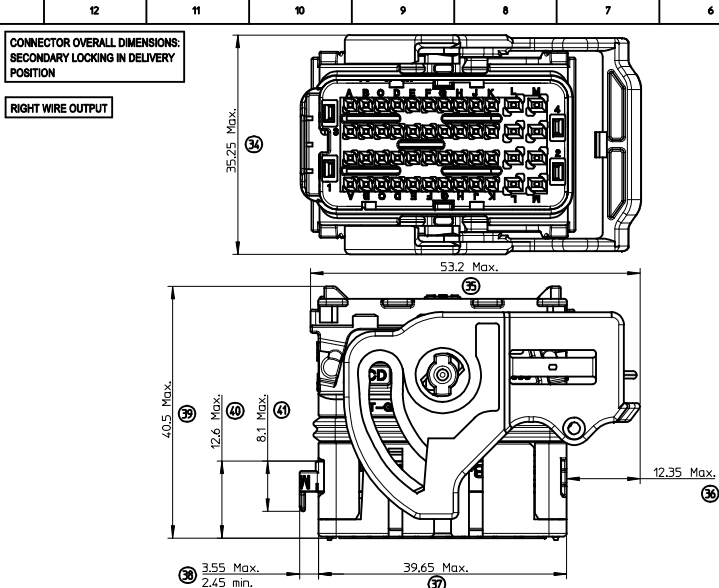
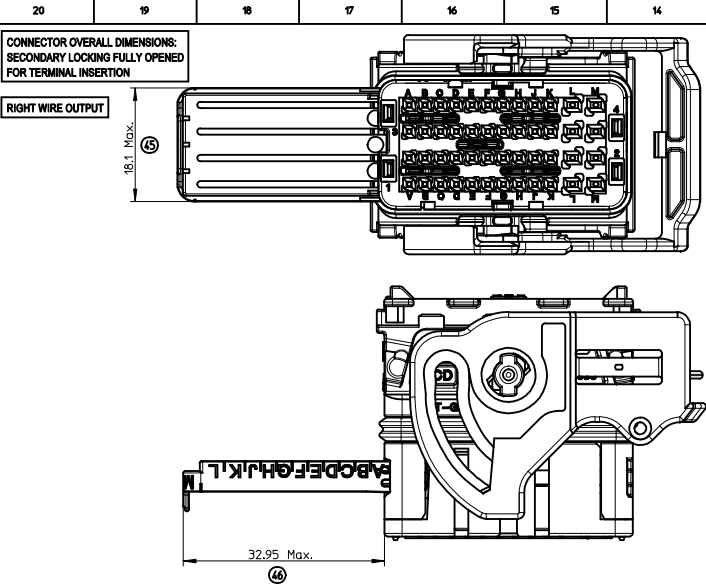
REF.	DESIGNATION	MATERIAL	COLOR
7	MAT SEAL	Silicon	RED
8	BACK GRID 48W	>PBT-GF20<	GREY
9	LOCKING LEVER 48W	>PBT-GF30<	BLACK
4	SECONDARY LOCK	>PBT-GF20<	GREY
3	PERIPHERAL SEAL 48W	Silicon	RED
2	BACK PART	>PBT-GF20<	BLACK
1	FRONT PART	>PBT-GF20<	COLOR LINKED TO KEYING

**MARKINGS:**

- ▲ - Assembled part traceability Year + Day
- ▲ - Terminal cavities identification
- ▲ - Lever position indicator: 'D' LETTER VISIBLE- part with 'RIGHT WIRE OUTPUT' 'G' LETTER VISIBLE- part with 'LEFT WIRE OUTPUT'
- ▲ - Supplier identification
- ▲ - Material identification

UPDATED DWG EC NO: G2014-0050 DRWNOVERCHERE 2013/09/18 CHKD: APPRO: PLESSIS 2013/10/14 DESCRIPTION	GENERAL TOLERANCES (UNLESS SPECIFIED) mm INCH		DIMENSION STYLE <b>MM ONLY</b>		SCALE <b>2.5:1</b>	DESIGN UNITS <b>METRIC</b>	FIRST ANGLE PROJECTION
	4 PLACES ± --- ± ---	3 PLACES ± --- ± ---	2 PLACES ± 0.1 ± ---	1 PLACE ± 0.1 ± ---	DRAWN BY T. BADAROUX 2007/07/16	CHECKED BY P. GRANDCLAUD 2007/07/16	TITLE <b>CMC CONNECTOR 48 WAY MAT SEAL VERSION</b>
	ANGULAR ± 2 °		APPROVED BY C. BOUCHAN 2007/07/16		<b>MOLEX INCORPORATED</b>		
	DRAFT WHERE APPLICABLE MUST REMAIN WITHIN DIMENSIONS		SEE CHARTS		MATERIAL NO. <b>SD-64320-001</b>	DOCUMENT NO.	SHEET NO. <b>1 OF 2</b>

THIS DRAWING CONTAINS INFORMATION THAT IS PROPRIETARY TO MOLEX INCORPORATED AND SHOULD NOT BE USED WITHOUT WRITTEN PERMISSION



COLOR	CODING	A	B	C	D	E
BLACK	1	13	6.4	8.6	6.4	2.2
GREY	2	10.8	8.6	13	8.6	2.2
BROWN	3	8.6	10.8	13	13	2.2
GREEN	4	10.8	13	6.4	6.4	2.2

TERMINALS USED				
CAVITY #	FEMALE TERMINALS (Section mm2)	PLATING	MOLEX P/N	min / MAX WIRE INSULATION DIAMETER (mm)
A1 to K1 A2 to K2 A3 to K3 A4 to K4	CP 0.6 0.35mm2	Tin plated	0643221019	Ø1.25 min / Ø1.40 Max
		Gold plated	0643221229	
	CP 0.6 0.5mm2	Tin plated	0643221039	Ø1.40 min / Ø1.70 Max
		Gold plated	0643221239	
L1 to L4 M1 to M4	CP 0.6 0.75mm2	Tin plated	0643221029	Ø1.60 min / Ø1.90 Max
		Gold plated	0643221219	
	CP 1.5 0.5mm2 to 1mm2	Tin plated	0643231019	Ø1.40 min / Ø2.15 Max
		Gold plated	0643231319	
CP 1.5 >1mm2 to 2mm2	Tin plated	0643231039	Ø2.10 min / Ø2.80 Max	
	Gold plated	0643231219		

UPDATED DWG  
EC NO: G2014-0050  
DRAWN BY: T. BADAROUX  
CHKD: P. GRANDCLAUD  
APPROVED: C. BOUCHAN  
DATE: 2013/09/18  
DATE: 2013/10/14  
DESCRIPTION

GENERAL TOLERANCES (UNLESS SPECIFIED)	
mm	INCH
4 PLACES ± 0.1	± 0.004
3 PLACES ± 0.15	± 0.006
2 PLACES ± 0.2	± 0.008
1 PLACE ± 0.3	± 0.012
ANGULAR ± 2°	

DIMENSION STYLE  
MM ONLY

DRAWN BY: T. BADAROUX  
DATE: 2007/07/16

CHECKED BY: P. GRANDCLAUD  
DATE: 2007/07/16

APPROVED BY: C. BOUCHAN  
DATE: 2007/07/16

MATERIAL NO.  
DOCUMENT NO.

SCALE: 2.5:1  
DESIGN UNITS: METRIC  
FIRST ANGLE PROJECTION

TITLE: CMC CONNECTOR 48 WAY MAT SEAL VERSION

MOLEX INCORPORATED  
SD-64320-001

SHEET NO.: 2 OF 2