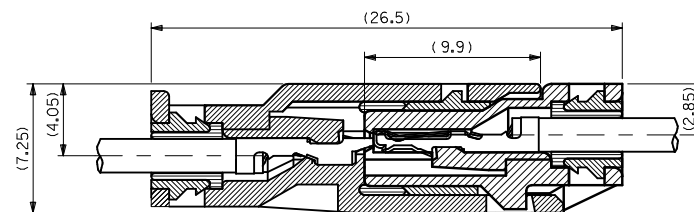
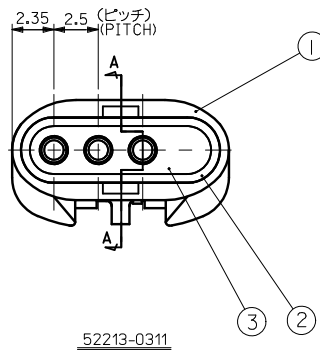
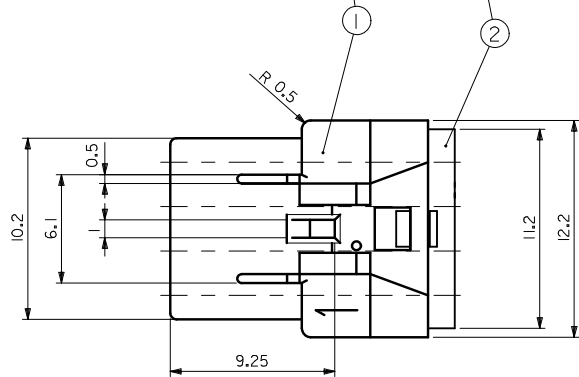


端子装着時の断面 A-A  
SECT.A-A TERM ASSEMBLY DRAWING



嵌合状態図  
FULLY MATED CONDITION

注記  
NOTE

- 適合端子: 50148-8\*00  
APPLICABLE TERMINAL: 50148-8\*00
- 嵌合相手: 52266-\*\*\*1\*  
MATES WITH: 52266-\*\*\*1\*
- 製品仕様書: PS-52213-003  
PRODUCT SPECIFICATION: PS-52213-003
- 取扱説明書: AS-52213-001  
APPLICATION SPECIFICATION: AS-52213-001

茶 BROWN	52213-0417	4
青 BLUE	52213-0414	4
白 WHITE	52213-0410	4
黒 BLACK	52213-0311	3
ハウジングの色 HOUSING COLOR	製品番号 MATERIAL NO.	数量 QTY

シリコンゴム SILICONE	青 BLUE	ワイヤーエンドシール WIRE END SEAL	③
ポリエステル (15%G.F.) POLYESTER (15%G.F.)	灰 GRAY	CAP	②
ポリエステル (15%G.F.) POLYESTER (15%G.F.)	表参照 SEE CHART	レセプタクルハウジング RECEPTACLE HOUSING	①
材料 MATERIAL	色 COLOR	名称 TITLE	
構成部品 COMPONENTS			

REVISED EC NO: JTR2012-0027 2011/10/03 DRWNS INAKA 2011/11/28 CHKD-SANDO 2011/11/28 APPR: MAYAMOTO 2011/12/02	GENERAL TOLERANCES (UNLESS SPECIFIED)		DIMENSION STYLE MM ONLY	SCALE 5:1	DESIGN UNITS METRIC	THIRD ANGLE PROJECTION	
	10 UNDER	±0.2	DRAWN BY S. KATAOKA	DATE 2006/09/11	TITLE 2.5 MINI WATERPROOF CONN REC HSG ASSY (3 AND 4 CKT.)		
	10 OVER 30 UNDER	±0.25	CHECKED BY K. TOYODA	DATE 2006/09/11	MOLEX INCORPORATED		
	30 OVER	±0.3	APPROVED BY N. UKITA	DATE 2006/09/11			
	ANGULAR	±3 °	MATERIAL NO.	DOCUMENT NO.	SD-52213-001	SHEET NO. 1 OF 1	
	DRAFT WHERE APPLICABLE MUST REMAIN WITHIN DIMENSIONS		SEE CHART				THIS DRAWING CONTAINS INFORMATION THAT IS PROPRIETARY TO MOLEX INCORPORATED AND SHOULD NOT BE USED WITHOUT WRITTEN PERMISSION