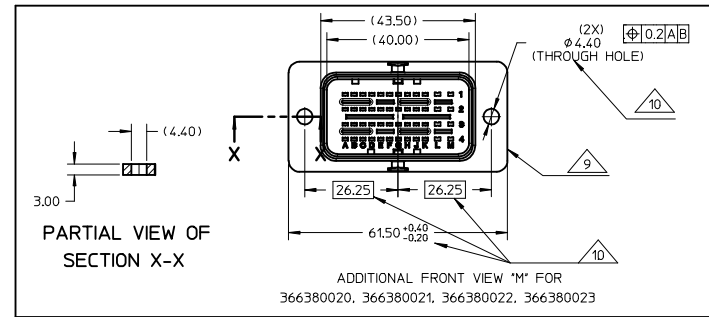
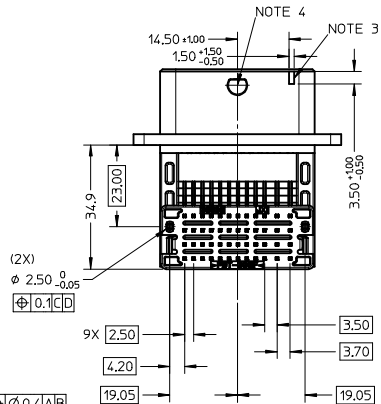
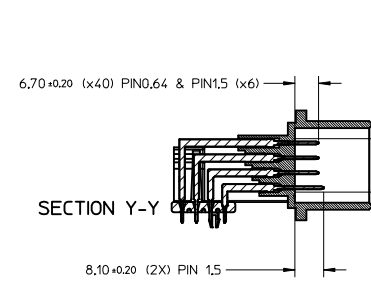
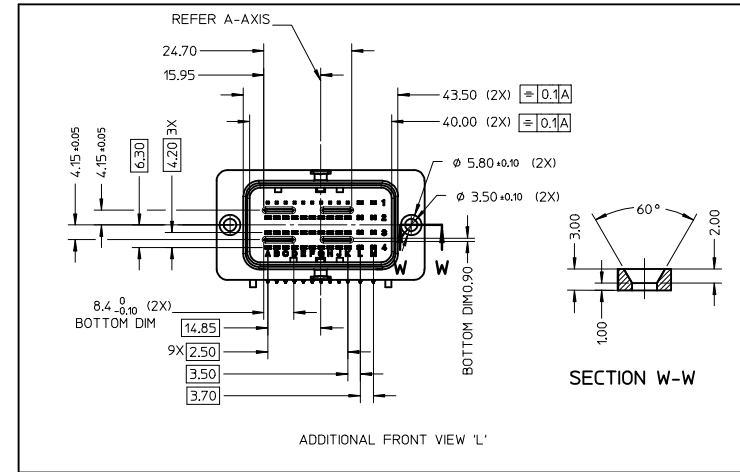
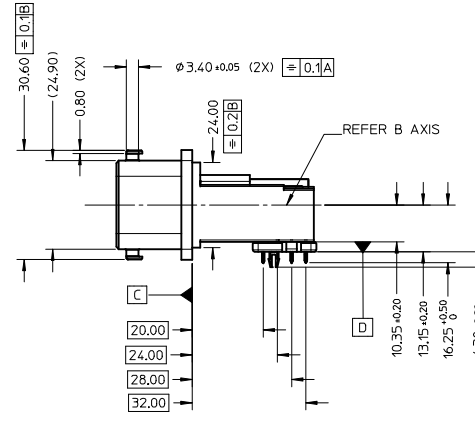
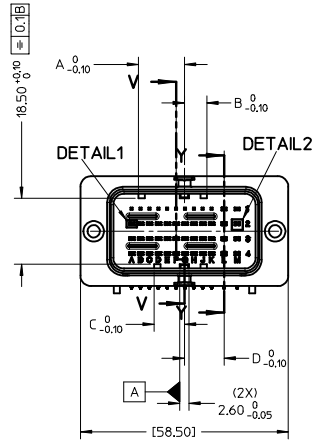
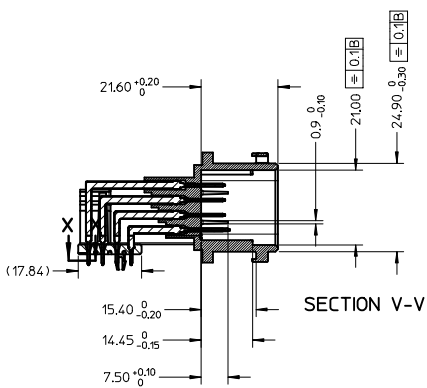
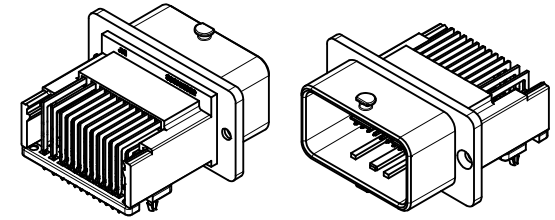
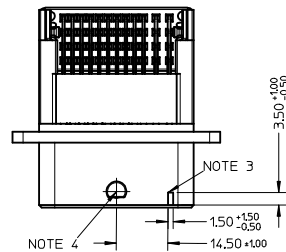
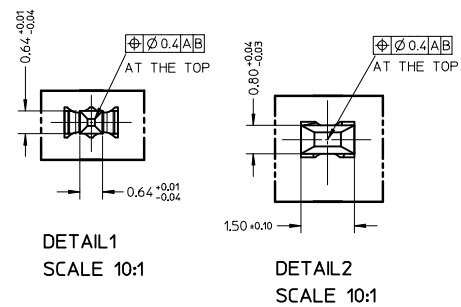


4	1	GRID PLATE	PBT 30% GLASS FILLED	BLACK
3	1	HOUSING		BLACK
2	SEE SHEET 2 TABLE 'A'	1.5	CuZn30	NICKEL UNDERCOAT: 1.3μM TO 2.2μM
1	SEE SHEET 2 TABLE 'A'	0.64	CuZn30	MATTE TIN OVERCOAT: 4μM TO 5μM
SL NO.	QTY	DESIGNATION	MATERIAL	FINISH



D	6.30	12.90
C	8.50	12.90
B	6.30	10.70
A	12.90	8.50
DIMENSION	366380002	366380003
	366380004	366380005
	366380006	366380007
	366380008	366380009
	366380020	366380021
	366380022	366380023
	(BLACK)	(BROWN)
	MOLEX PN	

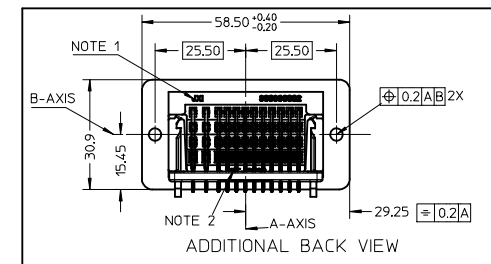
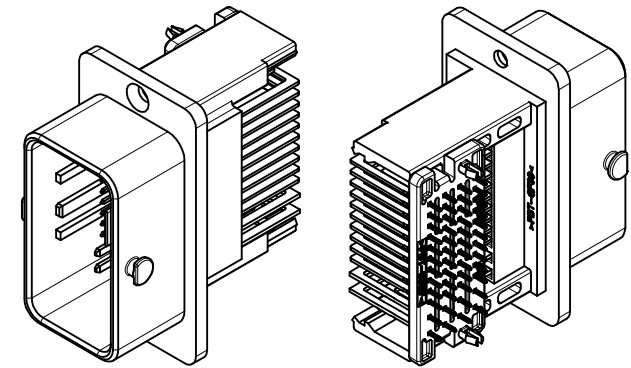


RoHS COMPLIANT

ENTER DESCRIPTION EC NO: I2013-0182 DRWN:BR02 CHKD: APPR:KPRASAD 2013/05/24 2013/06/06	QUALITY SYMBOLS ▽=0 ▽=0	GENERAL TOLERANCES (UNLESS SPECIFIED)		DIMENSION STYLE MM ONLY		SCALE 1:1	DESIGN UNITS METRIC	THIRD ANGLE PROJECTION	
		mm	INCH	DRAWN BY ROOPESH	DATE 08/05/2006	TITLE CMC HEADER 48/48WAY AND 48/36WAY T3 INTERFACE	MATERIAL NO. SD-36638-002		
4 PLACES ±---	±---	3 PLACES ±---	±---	CHECKED BY DINESH	DATE 08/05/2006	MOLEX INCORPORATED		SHEET NO. 1 OF 3	
2 PLACES ±0.1	±---	1 PLACE ±0.2	±---	APPROVED BY DINESH	DATE 08/05/2006	DOCUMENT NO.		THIS DRAWING CONTAINS INFORMATION THAT IS PROPRIETARY TO MOLEX INCORPORATED AND SHOULD NOT BE USED WITHOUT WRITTEN PERMISSION	
DRAFT WHERE APPLICABLE MUST REMAIN WITHIN DIMENSIONS		ANGULAR ± 1°		SIZE A2					

TABLE 'A'

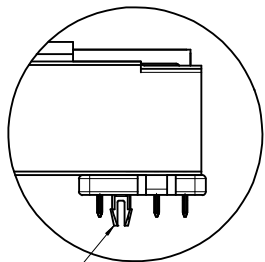
ASSY CMC HEADER	ASSY CMC 48 WAY 48 CKT (THROUGH HOLE) SEE ADDITIONAL FRONT VIEW "M"	366380020	BLACK	AVAILABLE (SEE VIEW 'A')	1.6	1.5	8	L1 & M1,L2 & M2 L3 & M3,L4 & M4
		366380021	BROWN					A1 TO H1,J1 AND K1 A2 TO H2,J2 AND K2 A3 TO H3,J3 AND K3 A4 TO H4,J4 AND K4
		366380022	BLACK	NOT AVAILABLE (SEE VIEW 'B')	0.8/1.6/2.0	0.64	40	
		366380023	BROWN					
	ASSY CMC 48 WAY 48 CKT (COUNTER SINK) SEE ADDITIONAL FRONT VIEW "L"	366380002	BLACK	AVAILABLE (SEE VIEW 'A')	1.6	1.5	8	L1 & M1,L2 & M2 L3 & M3,L4 & M4
		366380003	BROWN					A1 TO H1,J1 AND K1 A2 TO H2,J2 AND K2 A3 TO H3,J3 AND K3 A4 TO H4,J4 AND K4
		366380004	BLACK	NOT AVAILABLE (SEE VIEW 'B')	0.8/1.6/2.0	0.64	40	
		366380005	BROWN					
	ASSY CMC 48 WAY 36 CKT (COUNTER SINK) SEE ADDITIONAL FRONT VIEW "L"	366380006	BLACK	AVAILABLE (SEE VIEW 'A')	1.6	1.5	6	L2 & M2 L3 & M3,L4 & M4
		366380007	BROWN					A2 TO H2,J2 AND K2 A3 TO H3,J3 AND K3 A4 TO H4,J4 AND K4
		366380008	BLACK	NOT AVAILABLE (SEE VIEW 'B')	0.8/1.6/2.0	0.64	30	
		366380009	BROWN					
DESIGNATION	MOLEX PN	CODING COLOUR	PCB LOCKING ON GRID PLATE	FOR PCB OF THICKNESS	SPEC	QTY	CAVITIES NUMBER	
					PIN			



NOTES :

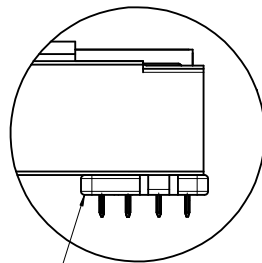
1. AREA FOR JXI AND MOLEX PART NUMBER REPRESENTATION
2. AREA FOR PLASTIC MATERIAL >PBT-30%GF< DESCRIPTION
3. PAINT WITH WHITE COLOR (RoHS COMPLIANT) AT SPECIFIED TWO AREAS
4. PAINT WITH BROWN COLOR (RoHS COMPLIANT) AT SPECIFIED AREA ON BOTH SIDE FOR PN: 366380003,366380005, 366380007,366380009, 366380021, 366380023.
5. PART TO MEET SOLDERABILITY SPEC SMES-152
6. PACKAGING SPECIFICATION:PK-36638-001.
7. PCB SOLDER HOLE SIZE IS DIA 1.1(+0.10/-0.05) FOR THE TERMINALS
8. MANUAL/WAVE SOLDER COMPATIBLE.
9. FOR OTHER DIMENSION(S) REFER REMAINING VIEWS IN THE DRAWING
10. THESE DIMENSIONS IS FOR 366380020, 366380021, 366380022, 366380023 PART NO'S ONLY.
11. 366380020, 366380021, 366380022, 366380023 WILL COMPLY TO VIEW "M". OUT OF WHICH 366380020 AND 366380022 ARE TOOLED AND 366380021, 366380023 ARE NOT TOOLED.

VIEW 'A'

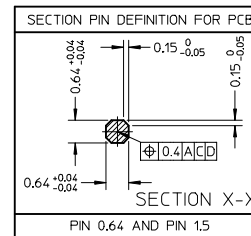


GRID PLATE WITH PCB LOCKING

VIEW 'B'

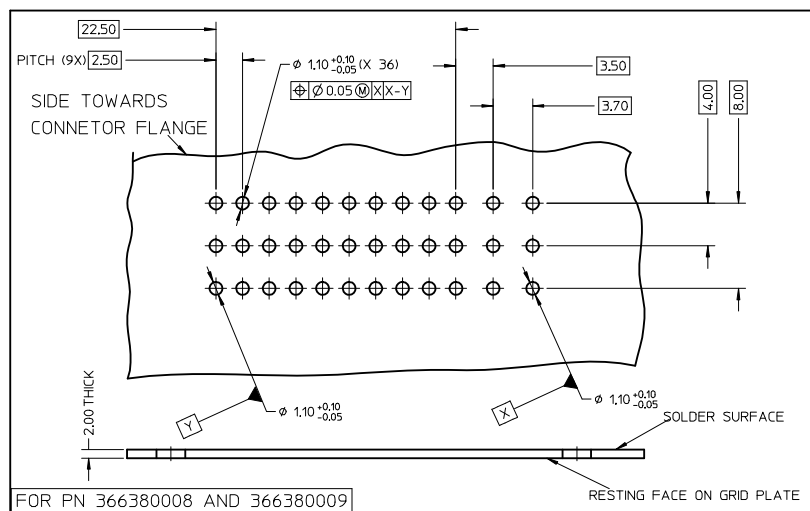
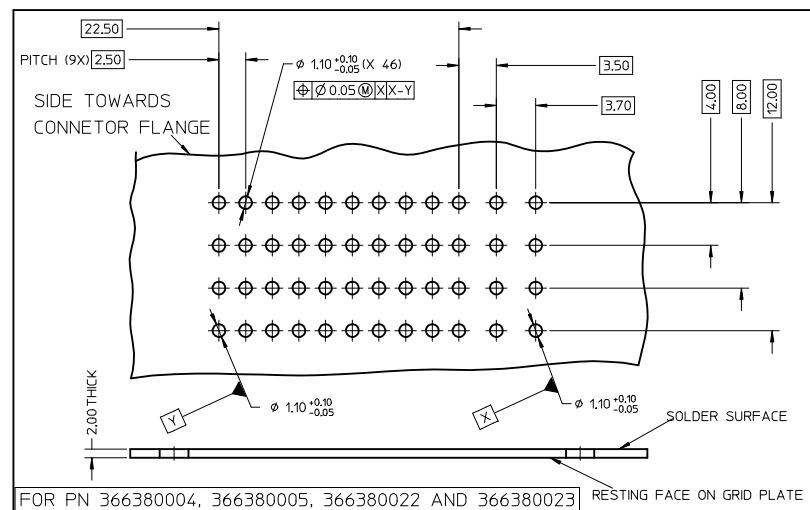
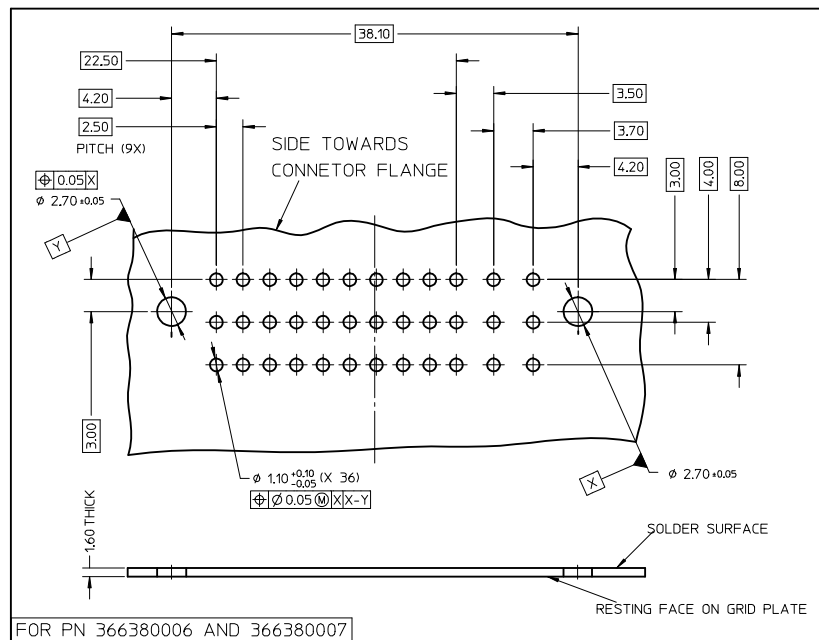
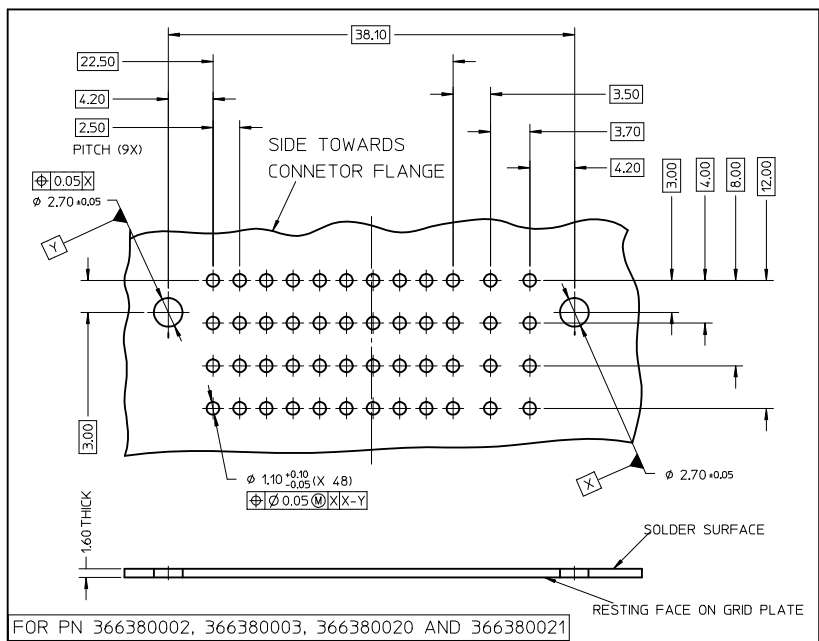


GRID PLATE WITHOUT PCB LOCKING

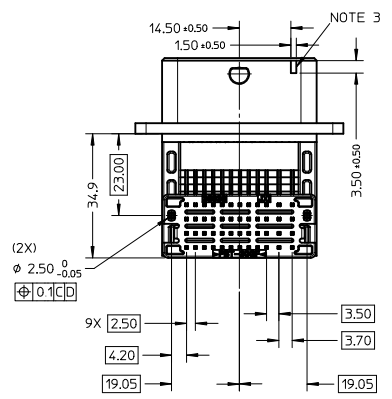
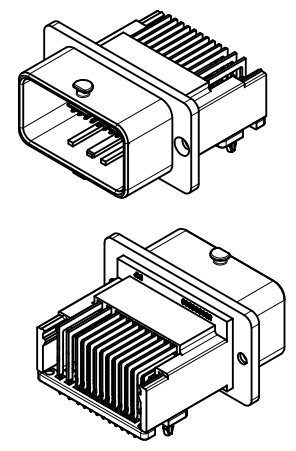
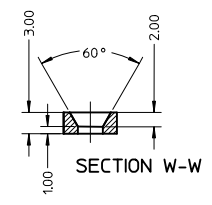
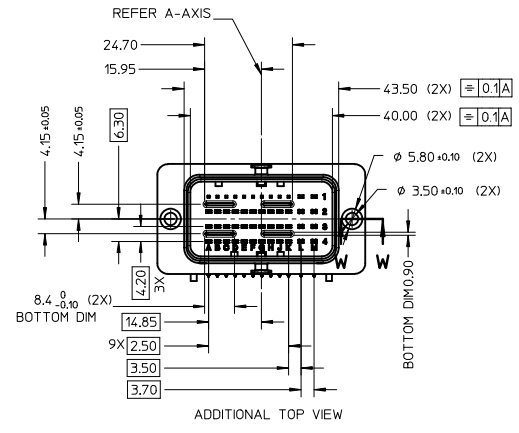
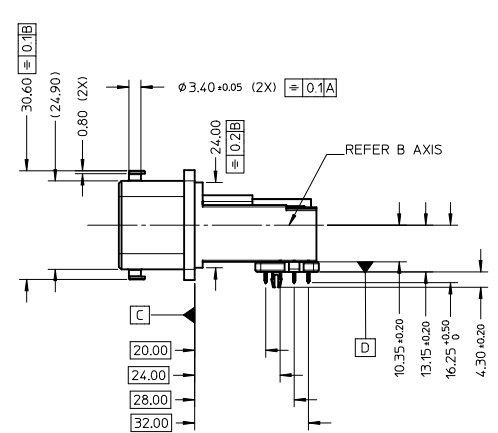
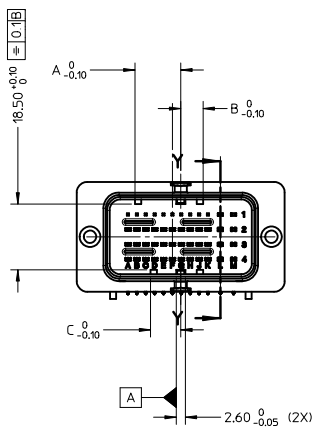


ENTER DESCRIPTION EC NO: 12013-0182 DRWN:BR02 CHKD: APPR:KPRASAD REV 12	2013/05/24 2013/06/06	QUALITY SYMBOLS ▽=0 ▽=0	GENERAL TOLERANCES (UNLESS SPECIFIED)		DIMENSION STYLE MM ONLY		SCALE 1:1	DESIGN UNITS METRIC	THIRD ANGLE PROJECTION
			m/m	INCH	DRAWN BY R00PESH	DATE 08/05/2006	TITLE CMC HEADER 48/48WAY AND 48/36WAY T3 INTERFACE		
4 PLACES ± --- ± ---			3 PLACES ± --- ± ---		2 PLACES ± 0.1 ± ---		1 PLACE ± 0.2 ± ---		MATERIAL NO. SEE TABLE 'A'
ANGULAR ± 1°			DRAFT WHERE APPLICABLE MUST REMAIN WITHIN DIMENSIONS		APPROVED BY DINESH		DATE 08/05/2006		
					MOLEX INCORPORATED		DOCUMENT NO. SD-36638-002		SHEET NO. 2 OF 3
THIS DRAWING CONTAINS INFORMATION THAT IS PROPRIETARY TO MOLEX INCORPORATED AND SHOULD NOT BE USED WITHOUT WRITTEN PERMISSION									

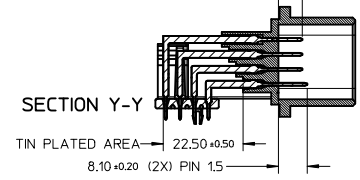
INTERFACE PCB DEFINITION (SOLDER SIDE)



<b>ENTER DESCRIPTION</b> EC NO: 12013-0182 DRAWN: BR02 CHKD: APPR: KRASAD 2013/05/24 2013/06/06	QUALITY SYMBOLS ▽=0 ▽=0	GENERAL TOLERANCES (UNLESS SPECIFIED)		DIMENSION STYLE <b>MM ONLY</b>		SCALE <b>1:1</b>	DESIGN UNITS <b>METRIC</b>	THIRD ANGLE PROJECTION
		mm	INCH	DRAWN BY	DATE	TITLE	CMC HEADER 48/48WAY AND 48/36WAY T3 INTERFACE	
12 REV	DESCRIPTION	4 PLACES ± ---	± ---	ROOPESH	08/05/2006	MOLEX INCORPORATED SD-36638-002 SHEET NO. 3 OF 3		
		3 PLACES ± ---	± ---	CHECKED BY	DATE			
		2 PLACES ± 0.1	± ---	DINESH	08/05/2006			
		1 PLACE ± 0.2	± ---	APPROVED BY	DATE			
DRAFT WHERE APPLICABLE MUST REMAIN WITHIN DIMENSIONS		ANGULAR ± 1°		MATERIAL NO. SEE TABLE 'A'		DOCUMENT NO. SD-36638-002		
THIS DRAWING CONTAINS INFORMATION THAT IS PROPRIETARY TO MOLEX INCORPORATED AND SHOULD NOT BE USED WITHOUT WRITTEN PERMISSION								



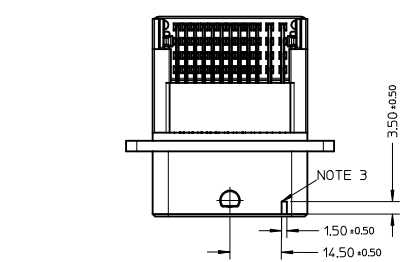
0.64x0.64 TERMINAL  
GOLD PLATED AT CONTACT AREA (6.7+0.5mm)  
6.70+0.20 (x4) PIN0.64 & PIN1.5 (x6)



D	6.30	366380013
C	8.50	&
B	6.30	366380019
A	12.90	(BLACK)
DIMENSION		MOLEX PN

5	GRID PLATE WITHOUT PCB LOCK	PBT 30% GLASS FILLED	BLACK	0	1
4	GRID PLATE WITH PCB LOCK		BLACK	1	0
3	HOUSING		BLACK	1	1
2	1.5	CuZn30	NICKEL UNDERCOAT: 1.3µM TO 2.2µM	6	6
1	0.64	CuZn30	OVERCOAT:SELECTIVE GOLD 1.27µM Min & MATTE TIN 4µM TO 5µM	30	30
SL NO.	DESIGNATION	MATERIAL	FINISH		

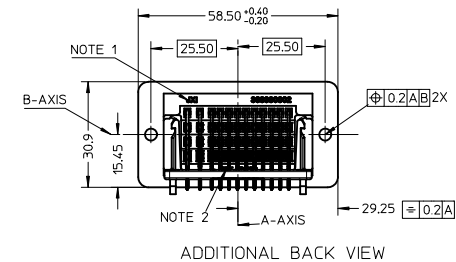
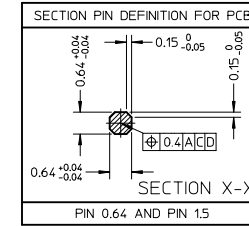
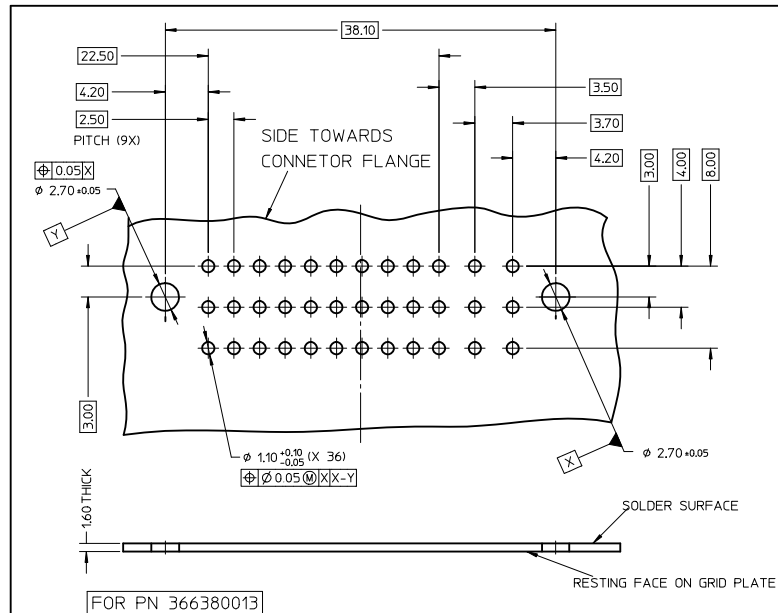
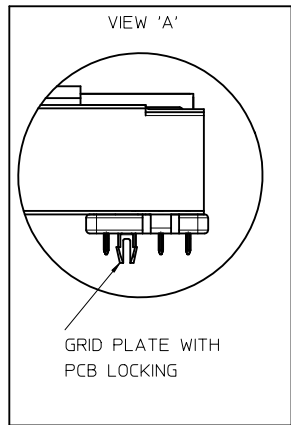
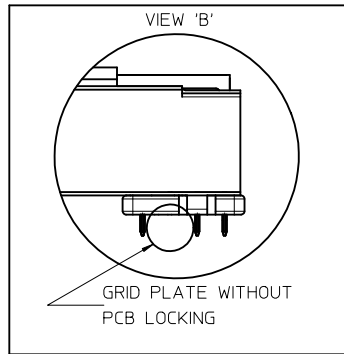
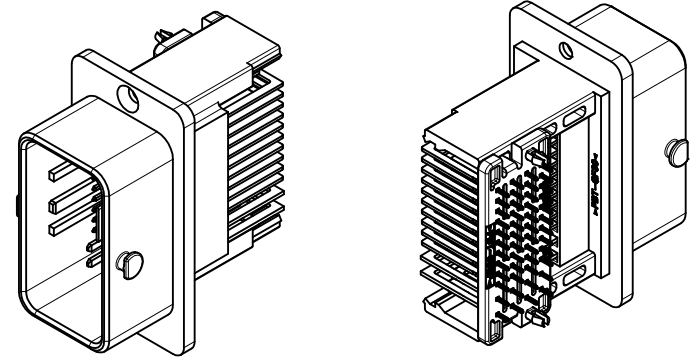
366380013	366380019
BOM QTY	



<b>CORRECTED P/N-SHZ</b> EC NO: 12012-0265 DRWN: VUTTARKAR CHKD: APPR: KPRASAD 2012/04/09	QUALITY SYMBOLS $\nabla=0$ $\nabla=0$ $\nabla=0$	GENERAL TOLERANCES (UNLESS SPECIFIED)		DIMENSION STYLE <b>MM ONLY</b>		SCALE <b>1:1</b>	DESIGN UNITS <b>METRIC</b>	RoHS COMPLIANT THIRD ANGLE PROJECTION			
		4 PLACES ± --- ± --- 3 PLACES ± --- ± --- 2 PLACES ± 0.1 ± --- 1 PLACE ± 0.2 ± ---		m/m INCH DRAWN BY: SNS01 DATE: 2010/07/20		TITLE <b>CMC HEADER 48/36WAY T3 INTERFACE</b>		MOLEX INCORPORATED			
		ANGULAR ±1/2°		APPROVED BY: KPRASAD DATE: 2010/10/26		MATERIAL NO.		DOCUMENT NO.		SHEET NO. 1 OF 2	
		DRAFT WHERE APPLICABLE MUST REMAIN WITHIN DIMENSIONS		SEE TABLE 'A'		SD-36638-013					

TABLE 'A'

ASSY CMC HEADER	ASSY CMC 48 WAY 36 CKT W/O PCB LOCK	366380019	BLACK	NOT AVAILABLE (SEE VIEW 'B')	1.6	1.5	L2 & M2 L3 & M3,L4 & M4
						0.64	A2 TO H2,J2 AND K2 A3 TO H3,J3 AND K3 A4 TO H4,J4 AND K4
	ASSY CMC 48 WAY 36 CKT WITH PCB LOCK	366380013	BLACK	AVAILABLE (SEE VIEW 'A')	1.6	1.5	L2 & M2 L3 & M3,L4 & M4
						0.64	A2 TO H2,J2 AND K2 A3 TO H3,J3 AND K3 A4 TO H4,J4 AND K4
DESIGNATION	MOLEX PN	CODING COLOUR	PCB LOCKING ON GRID PLATE	FOR PCB OF THICKNESS	PIN	CAVITIES NUMBER	



NOTES:

1. AREA FOR JXI AND MOLEX PART NUMBER REPRESENTATION
2. AREA FOR PLASTIC MATERIAL >PBT-30%GF< DESCRIPTION
3. PAINT WITH WHITE COLOR (ROHS COMPLIANT) AT SPECIFIED TWO AREAS
4. PART TO MEET SOLDERABILITY SPEC SMES-152
5. PACKAGING SPECIFICATION:PK-36638-002
6. PCB SOLDER HOLE SIZE IS DIA 1.1 (+0.10/-0.05) FOR THE TERMINALS
7. MANUAL/WAVE SOLDER COMPATIBLE.
8. MATES WITH PART NO.643202311/643204311.

CORRECTED P/N-SH2 EC NO: I2012-0265 DRWN:VITTARAR 2012/04/09 CHKD: APPR:KPRASAD REV 4	DESCRIPTION 2012/04/09	QUALITY SYMBOLS ▽=0 ▽=0	GENERAL TOLERANCES (UNLESS SPECIFIED)		DIMENSION STYLE MM ONLY		SCALE 1:1	DESIGN UNITS METRIC	THIRD ANGLE PROJECTION	
			mm	INCH	DRAWN BY SNS01	DATE 2010/07/20	TITLE CMC HEADER 48/36WAY T3 INTERFACE			
			4 PLACES ± ---	± ---	CHECKED BY	DATE	MOLEX MOLEX INCORPORATED			
			3 PLACES ± ---	± ---	APPROVED BY	DATE	DOCUMENT NO. SD-36638-013			
2 PLACES ± 0.1	± ---	ANGULAR ± 1/2°		MATERIAL NO.		SHEET NO. 2 OF 2				
1 PLACE ± 0.2	± ---	DRAFT WHERE APPLICABLE MUST REMAIN WITHIN DIMENSIONS		SEE TABLE 'A'		INCORPORATED AND SHOULD NOT BE USED WITHOUT WRITTEN PERMISSION				