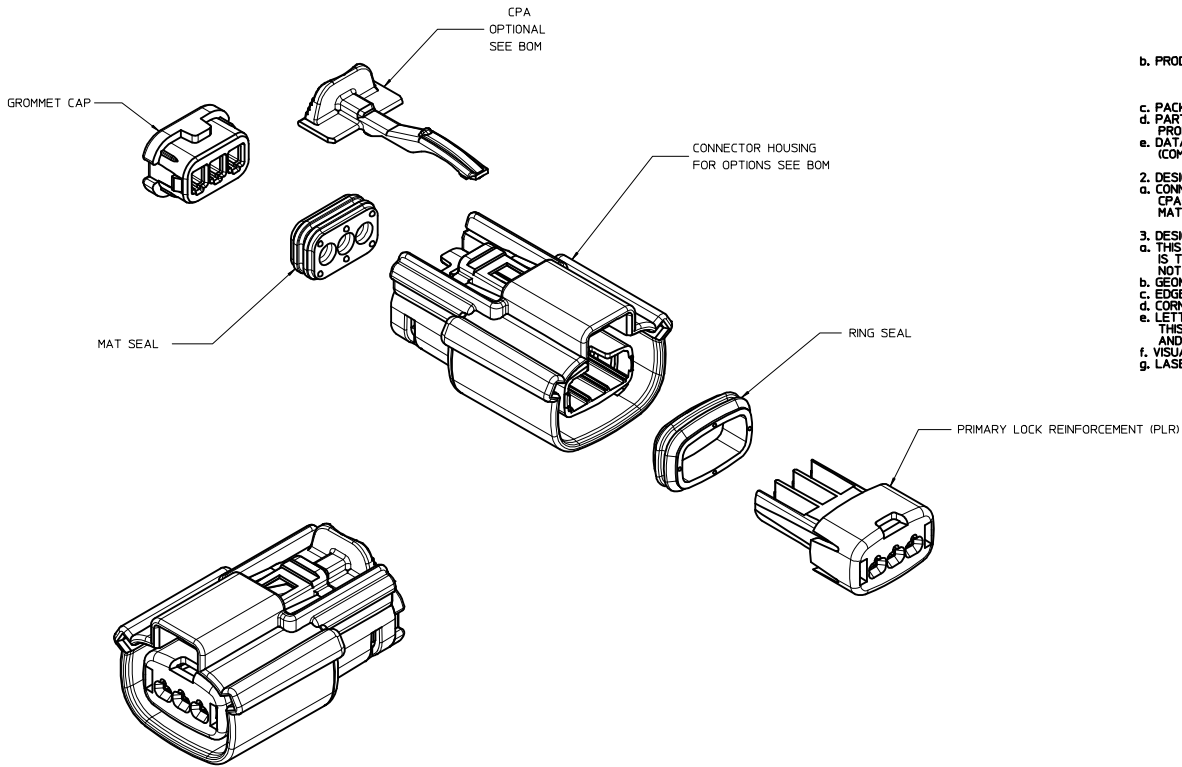


TABLE OF CONTENTS	
SHEET NO.	SHEET DESCRIPTION
1	NOTES
2	KEY CONFIGURATIONS
3	RECEPTACLE SEALED ASSEMBLY
4	BACKSHELL NOTES
5	BACKSHELL
6	BACKSHELL CONFIGURATION
7	BOM



NOTES: VALID UNLESS OTHERWISE SPECIFIED

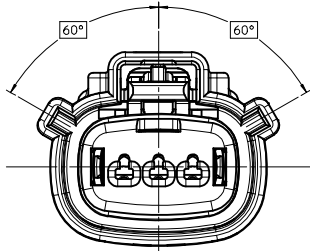
1. GENERAL:
 - a. APPLICATION SPECIFICATION SEE: AS-33472-100
 - CONTAINS: PRODUCT INTRODUCTION, PRODUCT SUMMARY, CONNECTOR ASSEMBLY, PACKAGING INFORMATION, CONNECTOR MATING, SERVICE INSTRUCTIONS, ELECTRICAL CONTINUITY CHECKING, CRIMPING, AND TROUBLESHOOTING.
 - DESIGNED TO MATE WITH DEVICE CONNECTION AS SPECIFIED IN DRAWING EWCAP 150-S-003-1-205, AVAILABLE AT http://ewcap.uscarteams.org/.
 - DESIGNED TO MATE WITH BLADE SEALED ASSEMBLY AS SPECIFIED IN DRAWING SD-33481-031
 - FOR 15mm RECEPTACLE TERMINALS TO BE USED WITH THIS ASSEMBLY. SEE MOLEX DRAWING SD-33042-002.
 - SYSTEM TO BE USED WITH WIRE WITHIN DIAMETER RANGE OF 1.2 mm TO 2.69 mm.
 - ASSEMBLY SHIPPED WITH PLR AND CPA IN PRE-LOCK POSITION (SEE SECTION Z-Z PRE-LOCK).
 - IN THE EVENT THAT THE PLR IS FOUND IN THE SEATED (FINAL LOCK) POSITION, REFER TO MOLEX SPECIFICATION PS-34646-001, AVAILABLE AT www.molex.com -<http://www.molex.com>.
 - ASSEMBLY CONFORMS TO SAE/USCAR-2 REV.4 WITH THE FOLLOWING EXCEPTIONS: ENGAGEMENT FORCE TO MOVE CPA FROM PRE-LOCK TO FINAL LOCK POSITION WHEN UNMATED: 40N MIN. DISENGAGEMENT FORCE TO MOVE CPA FROM FINAL LOCK TO PRE-LOCK POSITION: 3N MIN, 40N MAX
 - TERMINAL INSERTION FORCE FOR WIRE DIAMETER ABOVE 2.5mm NOT EXCEEDING 2.69mm SHALL NOT EXCEED 40 NEWTONS.
 - b. PRODUCT SPECIFICATION SEE: PS-33471-000
 - CONTAINS: PRODUCT INTRODUCTION, PRODUCT SUMMARY, RATINGS (CURRENT, TEMPERATURE, SEALING, AND FLAMMABILITY), AND PRODUCT VALIDATION.
 - c. PACKAGING SPECIFICATION PER MOLEX DRAWING: PK-31300-635
 - d. PARTS MUST BE IN COMPLIANCE TO MOLEX CHEMICAL SUBSTANCES FOR PRODUCTS AND PACKAGING SPECIFICATION: ES-40000-5046
 - e. DATA MUST BE SUBMITTED UNDER THE MOLEX PART NUMBER TO IMDS (COMPANY ID#13255)
2. DESIGN - MATERIALS:
 - a. CONNECTOR HOUSING, GROMMET CAP, PLR: SPS/NYLON BLEND 20% GLASS FILLED
 - CPA: PBT 20% GLASS FILLED
 - MAT SEAL, RING SEAL: INHERENTLY LUBRICATED SILICONE
3. DESIGN - GEOMETRY:
 - a. THIS IS A 100% CAD GENERATED PART. THE CAD MATHEMATICAL DATA IS THE MASTER FOR THIS PART. FOR DIMENSIONAL OR ANY INFORMATION NOT SHOWN ON THIS DRAWING, ANALYZE THE CAD MODEL.
 - b. GEOMETRIC DIMENSIONS AND TOLERANCES PER ASME Y14.5M - 1994
 - c. EDGES AND UNDIMENSIONED DETAILS PER ISO13715
 - d. CORNERS SHOWN AS SHARP TO BE R 0.2 MAX.
 - e. LETTERING SHALL BE 0.15 MAX RAISED IN 0.25 MAX RECESS PAD. THIS INCLUDES RECYCLING CODE, CAVITY ID, VENDOR IDENTIFICATION, AND CUSTOMER MATERIAL NUMBER.
 - f. VISUAL DEFECTS SHALL MEET COSMETIC STANDARD PS-45499-002 (Class B)
 - g. LASER MARKING: TBD

INSPECTION NUMBER LOG
 LAST NUMBER USED: 5
 ADDED:
 REMOVED:

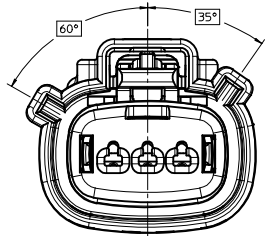
REV	DESCRIPTION
Q6	UPDATED VIEWS
Q5	ADD BACKSHELL CONFIGURATION
Q4	ADD NEW P/N 33471-0347
Q3	334710345 IS SAME AS 334710340 SQ VOID 334710345
Q2	CHANGE THE STATUS TO SALEABLE
Q1	UPDATED NOTES
Q	REDRAWN

ENTER DESCRIPTION IEC NO.: UAU2014-1774 DRAWN: ZUZELSKI 2014/05/15 CHKD: APPR: WOSHY 2014/05/19 REV: Q6	QUALITY SYMBOLS ∇=0 ∇=0 ∇=0	GENERAL TOLERANCES (UNLESS SPECIFIED): mm INCH 4 PLACES ±.000 ±.000 3 PLACES ±.005 ±.005 2 PLACES ±0.1 ±.005 1 PLACE ±0.30 ±.010 0 PLACE ± ±	DIMENSION STYLE MM ONLY DRAWN BY: DMARCOUX DATE: 06/18/2002 CHECKED BY: DGRIFITHS DATE: 6/18/2002 APPROVED BY: FHOLUB DATE: 06/18/2002	SCALE: 3:1 DESIGN UNITS: METRIC THIRD ANGLE PROJECTION	TITLE: MX150 1X3 RECEPTACLE SEALED ASSEMBLY MAT SEAL molex	MATERIAL NO.: SEE BOM DOCUMENT NO.: SD-33471-031	SHEET NO.: 1 OF 7
	DRAFT WHERE APPLICABLE MUST REMAIN WITHIN DIMENSIONS						
	THIS DRAWING CONTAINS INFORMATION THAT IS PROPRIETARY TO MOLEX INCORPORATED AND SHOULD NOT BE USED WITHOUT WRITTEN PERMISSION						
	SIZE: D						

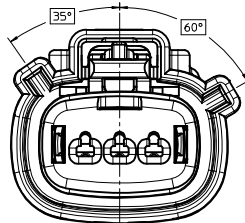
KEY CONFIGURATIONS



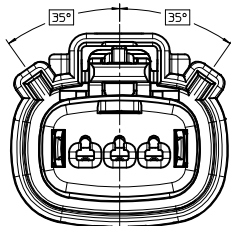
KEY A



KEY B



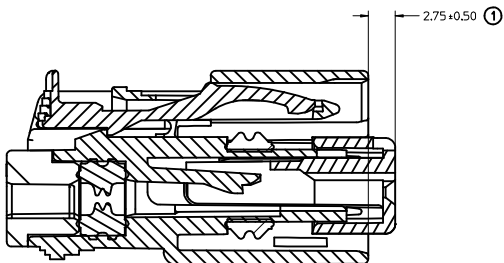
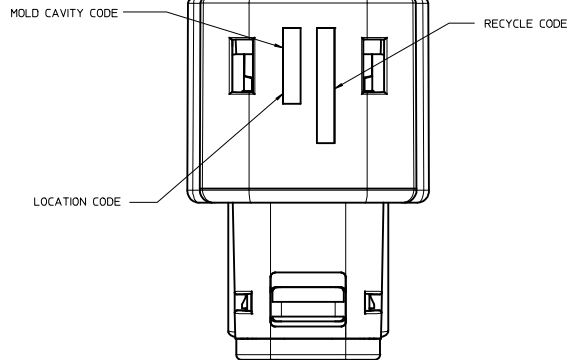
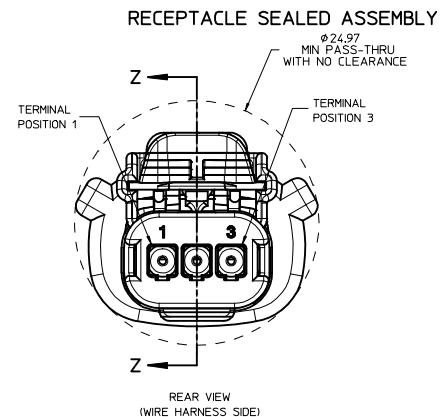
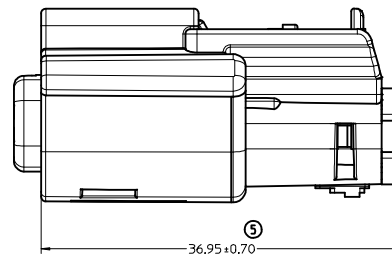
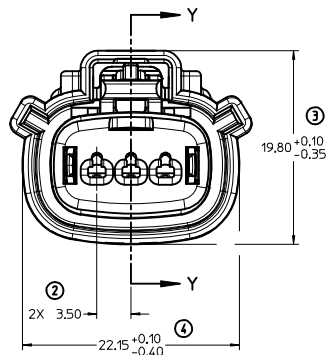
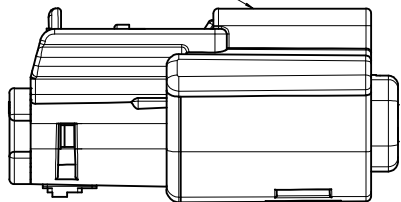
KEY C



KEY D

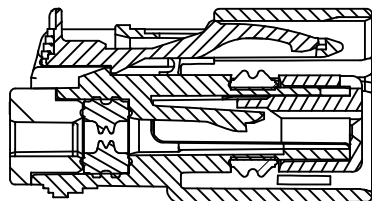
ENTER DESCRIPTION IEC NO. UAU2014-1774 DRAWN: JIZELSKI 2014/05/15 CHKD: APPR: WOSHY 2014/05/19 REV:	QUALITY SYMBOLS ▽=0 ▽=0 ▽=0	GENERAL TOLERANCES (UNLESS SPECIFIED) mm INCH 4 PLACES ± --- ± --- 3 PLACES ± 0.1 ± --- 2 PLACES ± 0.30 ± --- 1 PLACE ± ± --- 0 PLACE ± ±	DIMENSION STYLE MM ONLY SCALE 4:1 DESIGN UNITS METRIC THIRD ANGLE PROJECTION	DRAWN BY DMARCOUX 06/18/2002 CHECKED BY DATE DGRIFITHS 6/18/2002 APPROVED BY DATE FHOLUB 06/18/2002	TITLE MX150 1X3 RECEPTACLE SEALED ASSEMBLY MAT SEAL molex	MATERIAL NO. SEE BOM	DOCUMENT NO. SD-33471-031	SHEET NO. 2 OF 7	
	ANGULAR ± 3 ° DRAFT WHERE APPLICABLE MUST REMAIN WITHIN DIMENSIONS		SIZE D	THIS DRAWING CONTAINS INFORMATION THAT IS PROPRIETARY TO MOLEX INCORPORATED AND SHOULD NOT BE USED WITHOUT WRITTEN PERMISSION					
	G0								
	06								

LASER MARKING ON THIS SURFACE
SEE NOTE 3g.



PRIMARY LOCK REINFORCEMENT (PLR) SHOWN
IN PRE-STAGED POSITION

SECTION Z-Z

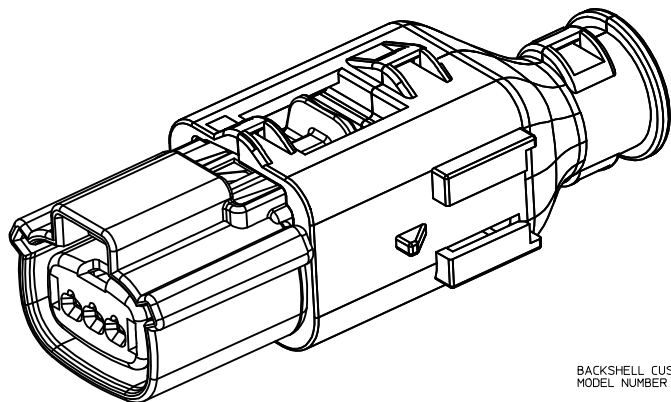
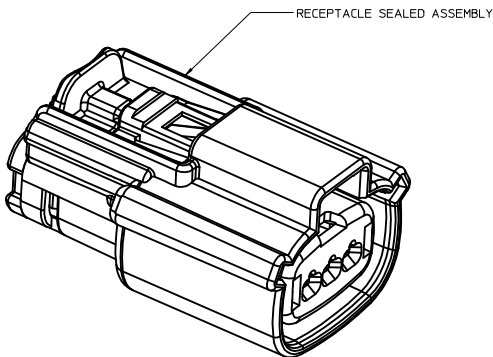
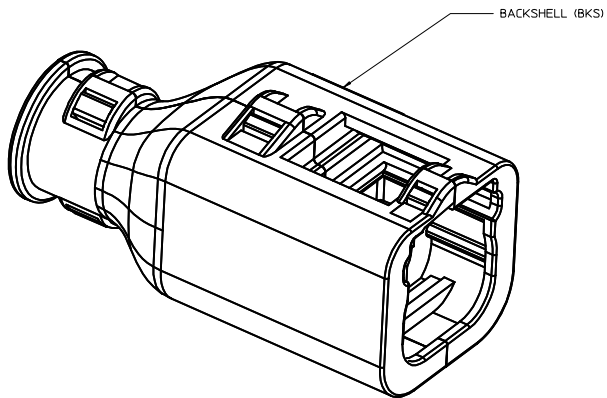


PRIMARY LOCK REINFORCEMENT (PLR) SHOWN
IN FINAL LOCK POSITION

SECTION Y-Y

ENTER DESCRIPTION IEC NO. UAU2014-1774 DRAWN: JIZELSKI 2014/05/15 CHKD: APPR: WOSHY REV: G0	QUALITY SYMBOLS	GENERAL TOLERANCES (UNLESS SPECIFIED)	DIMENSION STYLE	SCALE	DESIGN UNITS	THIRD ANGLE PROJECTION	
	∇=0 ∇=0 ∇=0	mm INCH 4 PLACES ± --- ± --- 3 PLACES ± 0.1 ± --- 2 PLACES ± 0.30 ± --- 1 PLACE ± ± --- 0 PLACE ± ±	MM ONLY	4:1	METRIC	DRAWN BY DATE DMARCOUX 06/18/2002 CHECKED BY DATE DGRIFITHS 6/18/2002 APPROVED BY DATE FHOLUB 06/18/2002	TITLE MX150 1X3 RECEPTACLE SEALED ASSEMBLY MAT SEAL molex
	ANGULAR ± 3 ° DRAFT WHERE APPLICABLE MUST REMAIN WITHIN DIMENSIONS	MATERIAL NO. SEE BOM	DOCUMENT NO. SD-33471-031	SHEET NO. 3 OF 7			
	THIS DRAWING CONTAINS INFORMATION THAT IS PROPRIETARY TO MOLEX INCORPORATED AND SHOULD NOT BE USED WITHOUT WRITTEN PERMISSION						

BACKSHELL NOTES



BACKSHELL NOTES: VALID UNLESS OTHERWISE SPECIFIED

1. GENERAL:

- a. APPLICATION SPECIFICATION SEE: AS-34951-001
 - DESIGNED TO MATE WITH RECEPTACLE SEALED ASSEMBLY SPECIFIED IN MOLEX DRAWING SD-33471-031.
 - SYSTEM TO BE USED WITH WIRE WITH DIAMETER RANGE OF 1.2mm TO 2.69mm.
 - COMPONENTS ARE OPTIONAL AND MUST BE PURCHASED SEPARATELY.
 - BACKSHELL DESIGN IS OWNED BY SCHLEMMER.
 - FOR ADDITIONAL INFORMATION SEE THE BACKSHELL COMPONENT DRAWING SD-34949-0001.

BACKSHELL CUSTOMER MODEL NUMBER LEGEND

34949-XXXX

CUSTOMER MODEL COMPONENTS

- 0 - BACKSHELL ONLY
- 1 - BACKSHELL & MX150 HOUSING KEY A ASSEMBLY
- 2 - BACKSHELL & MX150 HOUSING KEY B ASSEMBLY
- 3 - BACKSHELL & MX150 HOUSING KEY C ASSEMBLY
- 4 - BACKSHELL & MX150 HOUSING KEY D ASSEMBLY

BACKSHELL FEATURES

- 1 - WITH RIBS
- 2 - WITHOUT RIBS

MX150 CIRCUIT SIZE 02, 03, 04, 05, 06

ENTER DESCRIPTION IEC NO. UAU2014-1774 DRAWN: JIZELSKI 2014/05/15 CHKD: APPR: WOSHY 2014/05/19 REV: Q0	QUALITY SYMBOLS	GENERAL TOLERANCES (UNLESS SPECIFIED)	DIMENSION STYLE	SCALE	DESIGN UNITS	THIRD ANGLE PROJECTION
	▽=0	mm INCH	MM ONLY	4:1	METRIC	☉
	▽=0	4 PLACES ± --- ± ---	DRAWN BY DATE			
	▽=0	3 PLACES ± 0.1 ± ---	CHECKED BY DATE			
		2 PLACES ± 0.30 ± ---	DGRIFITHS 6/18/2002			
		1 PLACE ± ±	APPROVED BY DATE			
		0 PLACE ± ±	FHOLUB 06/18/2002			
		ANGULAR ± 3 °	MATERIAL NO.			
		DRAFT WHERE APPLICABLE MUST REMAIN WITHIN DIMENSIONS	SEE BOM			
			SIZE D			
			THIS DRAWING CONTAINS INFORMATION THAT IS PROPRIETARY TO MOLEX INCORPORATED AND SHOULD NOT BE USED WITHOUT WRITTEN PERMISSION			
			DOCUMENT NO.			
			SD-33471-031			
			SHEET NO.			
			4 OF 7			

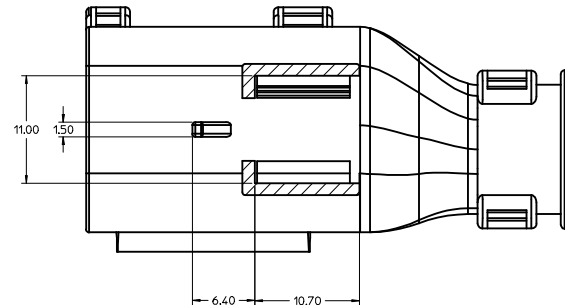
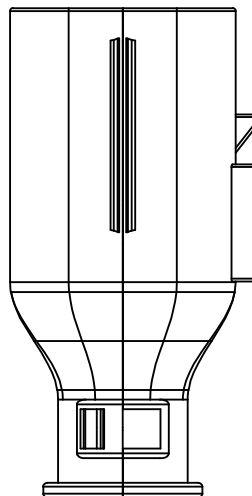
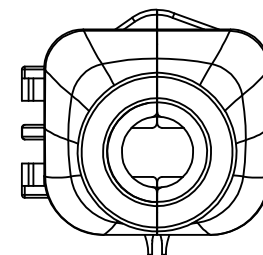
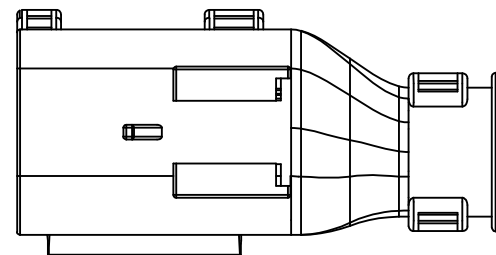
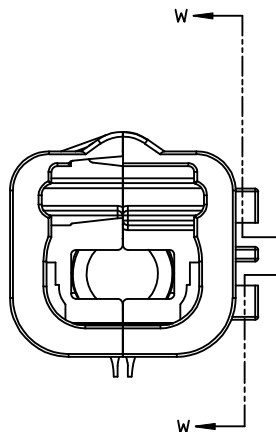
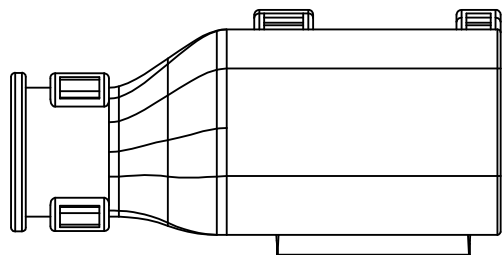
MX150 1X3 RECEPTACLE SEALED ASSEMBLY MAT SEAL

molex

SD-33471-031

20 19 18 17 16 15 14 13 12 11 10 9 8 7 6 5 4 3 2 1

BACKSHELL
THE VIEWS ON THIS SHEET ARE
IN THE CLOSED UN-ASSEMBLED POSITION



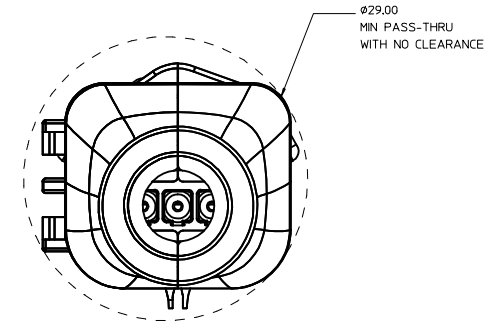
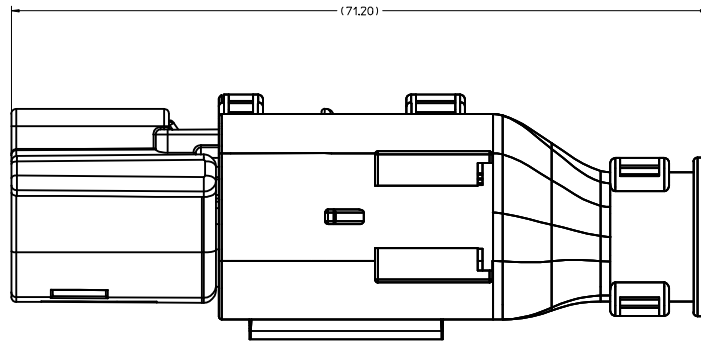
SECTION W-W

ENTER DESCRIPTION IEC NO. UAU2014-1774 DRAWN: JIZELSKI 2014/05/15 CHKD: APPR: WOSHY 2014/05/19 Q0	QUALITY SYMBOLS ∇=0 ∇=0 ∇=0	GENERAL TOLERANCES (UNLESS SPECIFIED) mm INCH 4 PLACES ± --- ± --- 3 PLACES ± 0.1 ± --- 2 PLACES ± 0.30 ± --- 1 PLACE ± ± 0 PLACE ± ±	DIMENSION STYLE MM ONLY	SCALE 4:1	DESIGN UNITS METRIC	THIRD ANGLE PROJECTION	
	DRAFT WHERE APPLICABLE MUST REMAIN WITHIN DIMENSIONS		MATERIAL NO. SEE BOM	DRAWN BY DMARCOUX 06/18/2002	DATE 06/18/2002	TITLE MX150 1X3 RECEPTACLE SEALED ASSEMBLY MAT SEAL	
			ANGULAR ± 3 °	APPROVED BY FHOLUB 06/18/2002	DATE 06/18/2002	DOCUMENT NO. SD-33471-031	SHEET NO. 5 OF 7
	THIS DRAWING CONTAINS INFORMATION THAT IS PROPRIETARY TO MOLEX INCORPORATED AND SHOULD NOT BE USED WITHOUT WRITTEN PERMISSION						

19 18 17 16 15 14 13 12 11 10 9 8 7 6 5 4 3 2 1

20 19 18 17 16 15 14 13 12 11 10 9 8 7 6 5 4 3 2 1

BACKSHELL CONFIGURATIONS



RECEPTACLE SEALED ASSEMBLY WITH RECEPTACLE BACKSHELL

ENTER DESCRIPTION IEC NO. UAU2014-1774 DRAWN: JIZELSKI 2014/05/15 CHKD: APPR: WOSHY Q6	QUALITY SYMBOLS ▽=0 ▽=0 ▽=0	GENERAL TOLERANCES (UNLESS SPECIFIED) mm INCH 4 PLACES ± --- ± --- 3 PLACES ± --- ± --- 2 PLACES ± 0.1 ± --- 1 PLACE ± 0.30 ± --- 0 PLACE ± ±	DIMENSION STYLE MM ONLY	SCALE 4:1	DESIGN UNITS METRIC	THIRD ANGLE PROJECTION	
	DRAFT WHERE APPLICABLE MUST REMAIN WITHIN DIMENSIONS	ANGULAR ± 3 °	DRAWN BY DMARCOUX 06/18/2002	DATE 06/18/2002	TITLE MX150 1X3 RECEPTACLE SEALED ASSEMBLY MAT SEAL	MATERIAL NO. SEE BOM	DOCUMENT NO. SD-33471-031
	SIZE D	THIS DRAWING CONTAINS INFORMATION THAT IS PROPRIETARY TO MOLEX INCORPORATED AND SHOULD NOT BE USED WITHOUT WRITTEN PERMISSION	SHEET NO. 6 OF 7				
	moxlex						

19 18 17 16 15 14 13 12 11 10 9 8 7 6 5 4 3 2 1

BOM

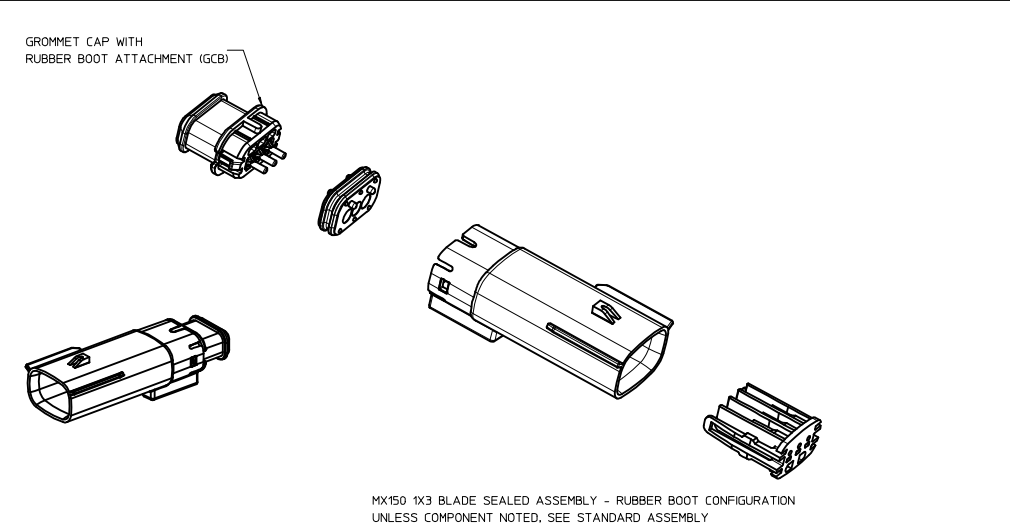
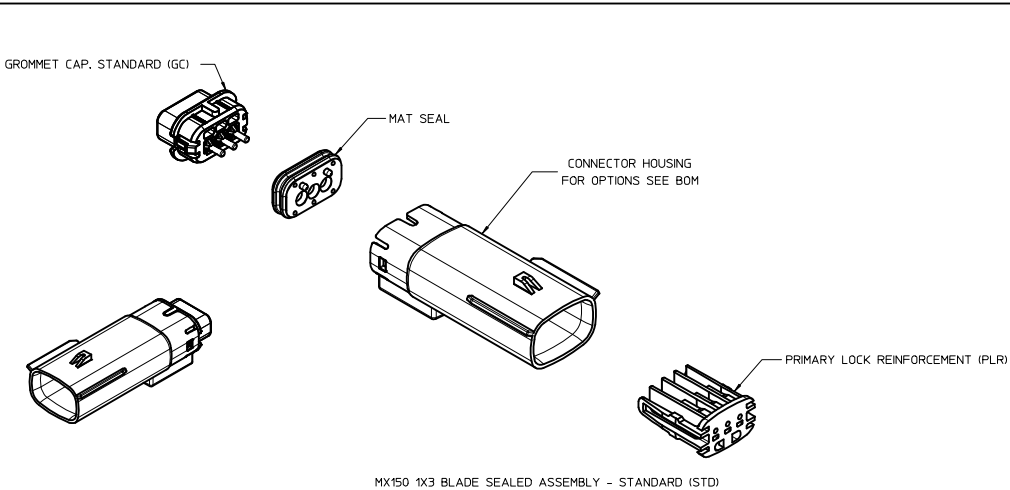
ASSEMBLY PART NUMBER	COLOR	KEYING OPTION	OPTION TYPE & RINGS			CPA	STATUS	OPTIONAL ATTACHMENTS SOLD SEPARATELY	
			1	2	3			BLACKWELL WITH RIBS	BLACKWELL WITHOUT RIBS
33471-0301	BLACK	A				-	SALEABLE	34949-0310	34949-0320
33471-0302	LT.GRAY	B				-	SALEABLE	34949-0310	34949-0320
33471-0303	BROWN	C				-	NOT RECOMMENDED---SEE P/N 33471-0343	34949-0310	34949-0320
33471-0304	GREEN	D				-	NOT RECOMMENDED---SEE P/N 33471-0344	34949-0310	34949-0320
33471-0305							VOIDED		
33471-0306	BLACK	A				YES	SALEABLE	34949-0310	34949-0320
33471-0307	LT.GRAY	B				YES	SALEABLE	34949-0310	34949-0320
33471-0308	BROWN	C				YES	NOT RECOMMENDED---SEE P/N 33471-0340	34949-0310	34949-0320
33471-0309	GREEN	D				YES	NOT RECOMMENDED---SEE P/N 33471-0346	34949-0310	34949-0320
33471-0310							VOIDED		
33471-0311	BLACK	A		X		-	SALEABLE	34949-0310	34949-0320
33471-0312	LT.GRAY	B		X		-	SALEABLE	34949-0310	34949-0320
33471-0313	BROWN	C		X		-	SALEABLE	34949-0310	34949-0320
33471-0314	GREEN	D		X		-	SALEABLE	34949-0310	34949-0320
33471-0315							VOIDED		
33471-0316	BLACK	A		X		YES	SALEABLE	34949-0310	34949-0320
33471-0317	LT.GRAY	B		X		YES	SALEABLE	34949-0310	34949-0320
33471-0318	BROWN	C		X		YES	SALEABLE	34949-0310	34949-0320
33471-0319	GREEN	D		X		YES	SALEABLE	34949-0310	34949-0320
33471-0320							VOIDED		
33471-0321	BLACK	A	X	X		-	SALEABLE	34949-0310	34949-0320
33471-0322	LT.GRAY	B	X	X		-	SALEABLE	34949-0310	34949-0320
33471-0323	BROWN	C	X	X		-	SALEABLE	34949-0310	34949-0320
33471-0324	GREEN	D	X	X		-	SALEABLE	34949-0310	34949-0320
33471-0325							VOIDED		
33471-0326	BLACK	A	X	X		YES	SALEABLE	34949-0310	34949-0320
33471-0327	LT.GRAY	B	X	X		YES	SALEABLE	34949-0310	34949-0320
33471-0328	BROWN	C	X	X		YES	SALEABLE	34949-0310	34949-0320
33471-0329	GREEN	D	X	X		YES	SALEABLE	34949-0310	34949-0320
33471-0330							VOIDED		
33471-0331	BLACK	A	X	X	X	-	SALEABLE	34949-0310	34949-0320
33471-0332	LT.GRAY	B	X	X	X	-	SALEABLE	34949-0310	34949-0320
33471-0333	BROWN	C	X	X	X	-	SALEABLE	34949-0310	34949-0320
33471-0334	GREEN	D	X	X	X	-	SALEABLE	34949-0310	34949-0320
33471-0335							VOIDED		
33471-0336	BLACK	A		X		YES	SALEABLE	34949-0310	34949-0320
33471-0337	BLACK	A		X		-	SALEABLE	34949-0310	34949-0320
33471-0338	BLACK	A	X	X	X	YES	SALEABLE	34949-0310	34949-0320
33471-0339	BLACK	A	X			-	SALEABLE	34949-0310	34949-0320
33471-0340	DK.GRAY	C				YES	SALEABLE	34949-0310	34949-0320
33471-0341	LT.GRAY	B		X		YES	SALEABLE	34949-0310	34949-0320
33471-0342	DK.GRAY	C		X		YES	SALEABLE	34949-0310	34949-0320
33471-0343	DK.GRAY	C				-	SALEABLE	34949-0310	34949-0320
33471-0344	ST.GRAY	D				-	SALEABLE	34949-0310	34949-0320
33471-0345	DK.GRAY	C				YES	OBSOLETE---SEE P/N 33471-0340	34949-0310	34949-0320
33471-0346	ST.GRAY	D				YES	SALEABLE	34949-0310	34949-0320
33471-0347	YELLOW	A				YES	SALEABLE	34949-0310	34949-0320

*FOR ASSEMBLY P/N'S 33471-0340 AND 33471-0342 REFER TO SALEABLE KEY OPTION C ASSEMBLY P/N'S ABOVE

Q4

ENTER DESCRIPTION IEC NO. UAU2014-1774 DRAWN: JUZELSKI 2014/05/15 CHYK: [blank] APPR: WOSHY 2014/05/19 REV: [blank]	QUALITY SYMBOLS	GENERAL TOLERANCES (UNLESS SPECIFIED)	DIMENSION STYLE	SCALE	DESIGN UNITS	THIRD ANGLE PROJECTION
	▽=0	mm INCH	MM ONLY		METRIC	
	▽=0	4 PLACES ± 0.1	DRAWN BY DATE	TITLE		
	▽=0	3 PLACES ± 0.05	CHECKED BY DATE	MX150 1X3 RECEPTACLE SEALED ASSEMBLY MAT SEAL		
	2 PLACES ± 0.1	APPROVED BY DATE	molex			
	1 PLACE ± 0.30		SD-33471-031			
	0 PLACE ±		SHEET NO. 7 OF 7			
		ANGULAR ± 3°	THIS DRAWING CONTAINS INFORMATION THAT IS PROPRIETARY TO MOLEX INCORPORATED AND SHOULD NOT BE USED WITHOUT WRITTEN PERMISSION			
		DRAFT WHERE APPLICABLE MUST REMAIN WITHIN DIMENSIONS				

TABLE OF CONTENTS	
SHEET NO.	SHEET DESCRIPTION
1	NOTES
2	KEY CONFIGURATIONS
3	BLADE SEALED ASSEMBLY
4	SYSTEM PACKAGING
5	RUBBER BOOT CONFIGURATION
6	BOH
7	RUBBER BOOT INTERFACE



NOTES: VALID UNLESS OTHERWISE SPECIFIED

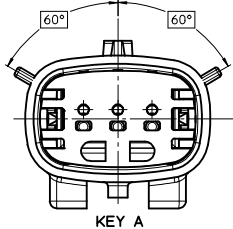
- GENERAL:
 - APPLICATION SPECIFICATION SEE: AS-33472-100
CONTAINS: PRODUCT INTRODUCTION, PRODUCT SUMMARY, CONNECTOR ASSEMBLY, PACKAGING INFORMATION, CONNECTOR MATING, SERVICE INSTRUCTIONS, ELECTRICAL CONTINUITY CHECKING, CRIMPING, AND TROUBLESHOOTING.
-DESIGNED TO MATE WITH RECEPTACLE SEALED ASSEMBLY SPECIFIED IN MOLEX DRAWING SD-33471-031.
-FOR 1.5mm BLADE TERMINALS TO BE USED WITH THIS ASSEMBLY SEE MOLEX DRAWING SD-33000-001.
- SYSTEM TO BE USED WITH WIRE WITH DIAMETER RANGE OF 1.2mm TO 2.69mm.
-ASSEMBLY SHIPPED WITH PLR IN PRE-LOCK POSITION
-IN THE EVENT THAT THE PLR IS FOUND IN THE SEATED (FINAL LOCK) POSITION, REFER TO MOLEX SPECIFICATION PS-34646-001, AVAILABLE AT www.molex.com <<http://www.molex.com>>
-ASSEMBLY CONFORMS TO SAE/USCAR-2 REV.4 WITH THE FOLLOWING EXCEPTIONS:
TERMINAL INSERTION FORCE FOR WIRE DIAMETER ABOVE 2.5mm NOT EXCEEDING 2.69mm SHALL NOT EXCEED 45 NEWTONS.
 - PRODUCT SPECIFICATION SEE: PS-33471-000
CONTAINS: PRODUCT INTRODUCTION, PRODUCT SUMMARY, RATINGS (CURRENT, TEMPERATURE, SEALING, AND FLAMMABILITY), AND PRODUCT VALIDATION.
 - PACKAGING SPECIFICATION PER MOLEX DRAWING: PK-31300-635
 - PARTS MUST BE IN COMPLIANCE TO MOLEX CHEMICAL SUBSTANCES FOR PRODUCTS AND PACKAGING SPECIFICATIONS 40000-5016
 - DATA MUST BE SUBMITTED UNDER THE MOLEX PART NUMBER TO IMDS (COMPANY ID#13255)
- DESIGN - MATERIALS:
 - CONNECTOR HOUSING, GROMMET CAP, PLR: SPS/NYLON BLEND 20% GLASS FILLED
 - MAT SEAL: INHERENTLY LUBRICATED SILICONE
- DESIGN - GEOMETRY:
 - THIS IS A 100% CAD GENERATED PART. THE CAD MATHEMATICAL DATA IS THE MASTER FOR THIS PART. FOR DIMENSIONAL OR ANY INFORMATION NOT SHOWN ON THIS DRAWING, ANALYZE THE CAD MODEL.
 - GEOMETRIC DIMENSIONS AND TOLERANCES PER ASME Y14.5M - 1994
 - EDGES AND UNDIMENSIONED DETAILS PER ISO13715
 - CORNERS SHOWN AS SHARP TO BE R 0.2 MAX.
 - LETTERING SHALL BE 0.15 MAX RAISED IN 0.25 MAX RECESS PAD. THIS INCLUDES RECYCLING CODE, CAVITY ID, VENDOR IDENTIFICATION, AND CUSTOMER MATERIAL NUMBER.
 - VISUAL DEFECTS SHALL MEET COSMETIC STANDARD PS-45499-002 (Class B)
 - LASER MARKING: TBD

INSPECTION NUMBER LOG
LAST NUMBER USED: 21
ADDED:
REMOVED:

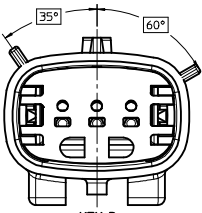
R3	DEVIATED THE DM 16
R2	RELEASED P/N 33481-0341
R1	RELEASED P/N 33481-0340, DELETED P/N 33481-0331
R	ADD RUBBER BOOT CONFIGURATION
Q	UPDATE P/N 33481-0326 TO 33481-0330
P	ADD NEW P/N 33481-0326
N	UPDATED GROMMET CAP
M3	UPDATED DIMENSIONS TO MATCH MODEL
M2	COLOR REPLACEMENT FOR KEY C AND D PER USCAR STANDARD
M1	UPDATED NOTES
M	REDRAWN
REV	DESCRIPTION

SEE REV. COLUMN EC NO: UAU2015-0191 DRAWN: SONGOS 2014/08/13 CHKD: XBTANG 2014/08/13 APPR: IKOSHY 2014/09/05	QUALITY SYMBOLS ▽=0 ▽=0 ▽=0	GENERAL TOLERANCES (UNLESS SPECIFIED)		DIMENSION STYLE		SCALE 3:1	DESCRIPTION METRIC	THIRD ANGLE PROJECTION
		mm	INCH	MM ONLY	DATE			
		4 PLACES ±---	±---	DRAWN BY DMARCOUX	DATE 06-12-02		MX150 1X3 BLADE SEALED ASSEMBLY MAT SEAL 	
		3 PLACES ±---	±---	CHECKED BY DGRIFFIT	DATE 06-12-02			
		2 PLACES ±0.10	±---	APPROVED BY FHOLUB	DATE 06-12-02			
		1 PLACE ±0.3	±---					
		0 PLACE ±	±					
		ANGULAR ± 3 °		MATERIAL NO. SEE BOM	DOCUMENT NO. SD-33481-031			SHEET NO. 1 OF 7
		DRAFT WHERE APPLICABLE MUST REMAIN WITHIN DIMENSIONS		SIZE D		THIS DRAWING CONTAINS INFORMATION THAT IS PROPRIETARY TO MOLEX INCORPORATED AND SHOULD NOT BE USED WITHOUT WRITTEN PERMISSION		

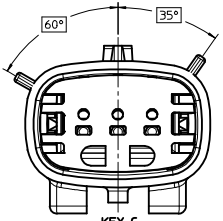
KEY CONFIGURATIONS



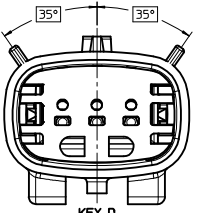
KEY A



KEY B



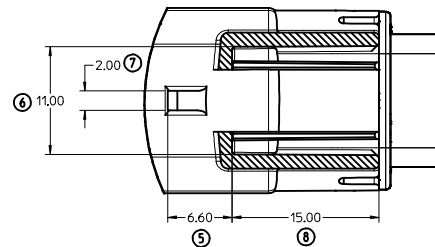
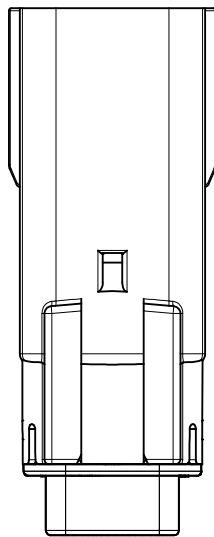
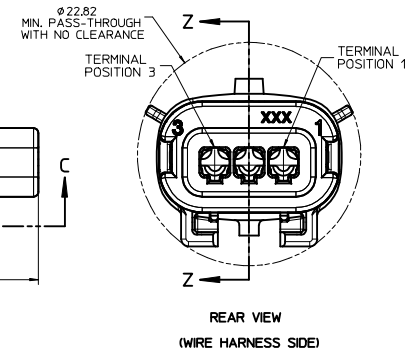
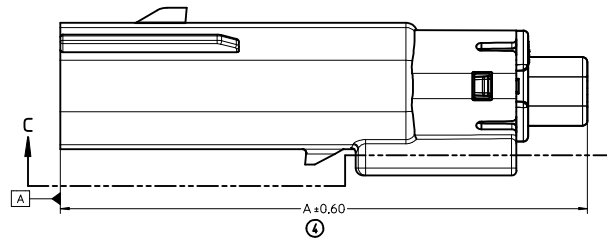
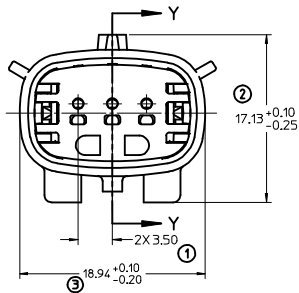
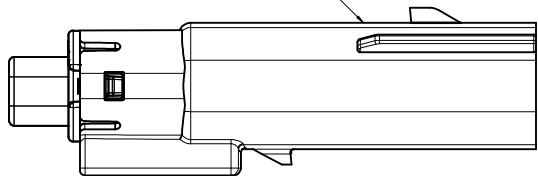
KEY C



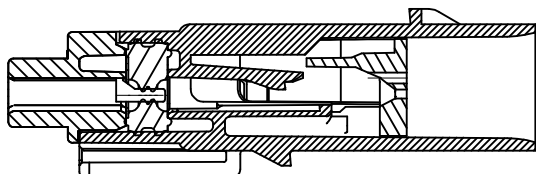
KEY D

SEE REV. COLUMN EC NO. UAU2015-0191 DRAWN: LONGOS 2014/08/13 CHKD: XIANG 2014/08/13 APPR: IKOSHY 2014/09/05	QUALITY SYMBOLS ▽=0 ▽=0 ▽=0	GENERAL TOLERANCES (UNLESS SPECIFIED)		DIMENSION STYLE MM ONLY	SCALE 4:1	DESIGN UNITS METRIC	THIRD ANGLE PROJECTION	
		4 PLACES ± mm ± INCH	3 PLACES ± --- ± ---	DRAWN BY DMARCOUX	DATE 06-12-02	TITLE MX150 1X3 BLADE SEALED ASSEMBLY MAT SEAL		
		2 PLACES ± 0.10 ± ---	1 PLACE ± 0.3 ± ---	CHECKED BY DGRIFFIT	DATE 06-12-02	MATERIAL NO. SEE BOM		
		ANGULAR ± 3 °		APPROVED BY FHOLUB	DATE 06-12-02	DOCUMENT NO. SD-33481-031	SHEET NO. 2 OF 7	
DRAFT WHERE APPLICABLE MUST REMAIN WITHIN DIMENSIONS		SIZE D		THIS DRAWING CONTAINS INFORMATION THAT IS PROPRIETARY TO MOLEX INCORPORATED AND SHOULD NOT BE USED WITHOUT WRITTEN PERMISSION				

LASER MARKING THIS SURFACE
SEE NOTE 3g.

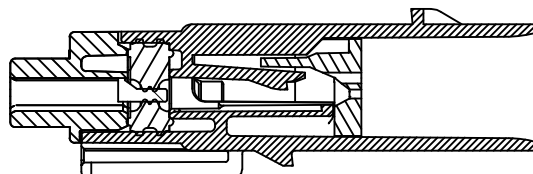


SECTION C-C



PRIMARY LOCK REINFORCEMENT (PLR) SHOWN
IN PRE-STAGED POSITION

SECTION Z-Z



PRIMARY LOCK REINFORCEMENT (PLR) SHOWN
IN FINAL-LOCK POSITION

SECTION Y-Y

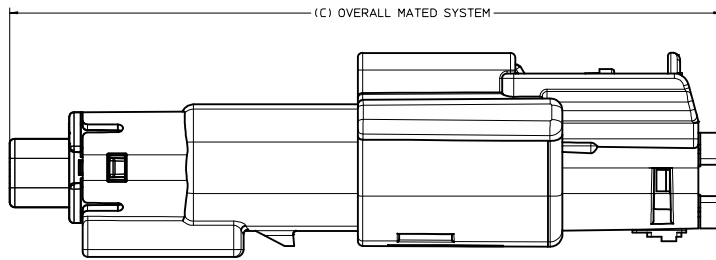
CHARTED DIMENSIONS

CONFIGURATION	A
MX150 1X3 BLADE SEALED ASSEMBLY - STANDARD	53.85
MX150 1X3 BLADE SEALED ASSEMBLY - RUBBER BOOT CONFIGURATION	57.85

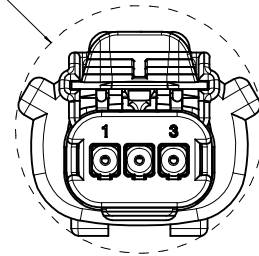
SEE REV. COLUMN ELEC. NO. UAU2015-0191 DRAWN BY: 2014/08/13 CHYKX818ANG APPR: KYOSHY 2014/09/05	QUALITY SYMBOLS	GENERAL TOLERANCES (UNLESS SPECIFIED)	DIMENSION STYLE	SCALE	DESIGN UNITS	THIRD ANGLE PROJECTION
	▽=0	mm INCH	MM ONLY	4:1	METRIC	☉
	▽=0	4 PLACES ± --- ± ---	DRAWN BY: DATE			
	▽=0	3 PLACES ± 0.10 ± ---	DMARCOUX 06-12-02			
	2 PLACES ± 0.3 ± ---	CHECKED BY: DATE				MX150 1X3 BLADE SEALED ASSEMBLY MAT SEAL molex
	1 PLACE ± --- ± ---	DGRIFFIT 06-12-02				
	0 PLACE ± --- ± ---	APPROVED BY: DATE				MATERIAL NO. SEE BOM DOCUMENT NO. SD-33481-031
		ANGULAR ± 3 °				SHEET NO. 3 OF 7
		DRAFT WHERE APPLICABLE MUST REMAIN WITHIN DIMENSIONS	SIZE D			THIS DRAWING CONTAINS INFORMATION THAT IS PROPRIETARY TO MOLEX INCORPORATED AND SHOULD NOT BE USED WITHOUT WRITTEN PERMISSION

20 19 18 17 16 15 14 13 12 11 10 9 8 7 6 5 4 3 2 1

SYSTEM PACKAGING



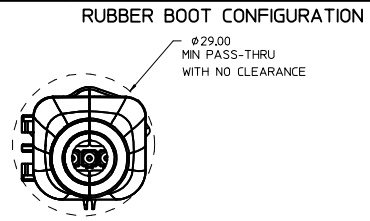
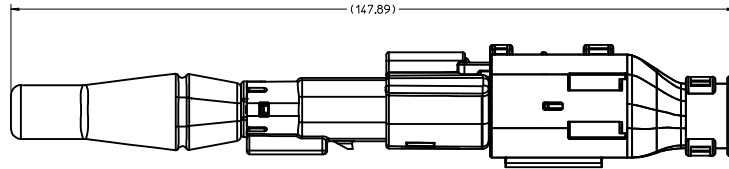
ø25.30
MIN. PASS-THROUGH
WITH NO CLEARANCE



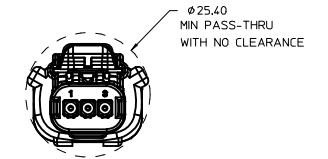
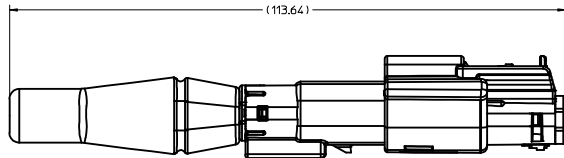
CHARTED DIMENSIONS	
CONFIGURATION	C
MX150 1X3 BLADE SEALED ASSEMBLY - STANDARD	72.71
MX150 1X3 BLADE SEALED ASSEMBLY - RUBBER BOOT CONFIGURATION	76.71

SEE REV. COLUMN EEC NO. UAU2015-0191 DRAWN: LSONGOS 2014/08/13 CHECKED: XBTANG 2014/08/13 APPR: WKOSHY 2014/09/05	QUALITY SYMBOLS ∇=0 ∇=0 ∇=0	GENERAL TOLERANCES (UNLESS SPECIFIED)		DIMENSION STYLE MM ONLY	SCALE 4:1	DESIGN UNITS METRIC	THIRD ANGLE PROJECTION
		4 PLACES ± --- ± --- 3 PLACES ± --- ± --- 2 PLACES ± 0.10 ± --- 1 PLACE ± 0.3 ± --- 0 PLACE ± ±	mm INCH	DRAWN BY DMARCOUX 06-12-02 CHECKED BY DGRIFFIT 06-12-02 APPROVED BY FHOLUB 06-12-02	DATE	TITLE MX150 1X3 BLADE SEALED ASSEMBLY MAT SEAL	
		ANGULAR ± 3 ° DRAFT WHERE APPLICABLE MUST REMAIN WITHIN DIMENSIONS	MATERIAL NO. SEE BOM	DOCUMENT NO. SD-33481-031	SHEET NO. 4 OF 7		
		THIS DRAWING CONTAINS INFORMATION THAT IS PROPRIETARY TO MOLEX INCORPORATED AND SHOULD NOT BE USED WITHOUT WRITTEN PERMISSION					

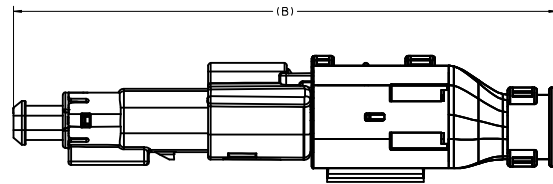
19 18 17 16 15 14 13 12 11 10 9 8 7 6 5 4 3 2 1



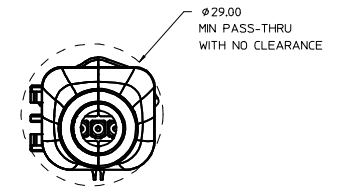
OVERALL MATED SYSTEM WITH BLADE RUBBER BOOT AND RECEPTACLE BACKSHELL



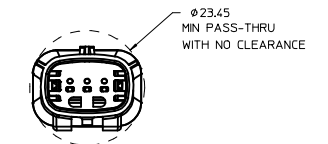
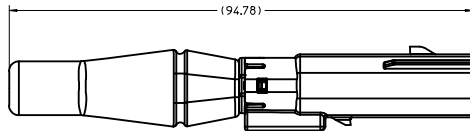
OVERALL MATED SYSTEM WITH BLADE RUBBER BOOT



CHARTED DIMENSIONS	
CONFIGURATION	B
MX150 1X3 BLADE SEALED ASSEMBLY - STANDARD	106.96
MX150 1X3 BLADE SEALED ASSEMBLY - RUBBER BOOT CONFIGURATION	110.96



OVERALL MATED SYSTEM WITH RECEPTACLE BACKSHELL



BLADE SEALED ASSEMBLY WITH BLADE RUBBER BOOT

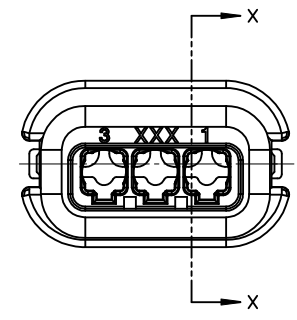
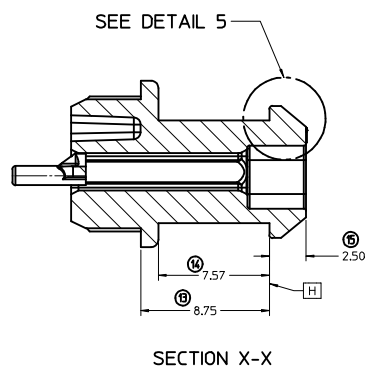
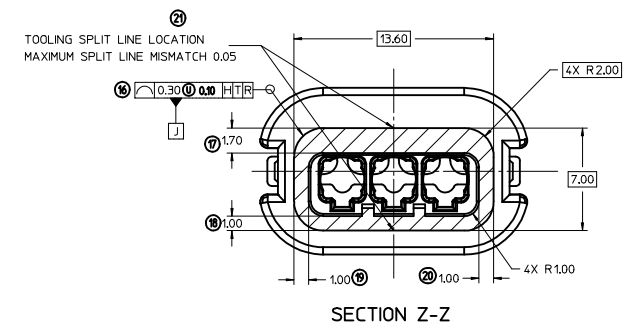
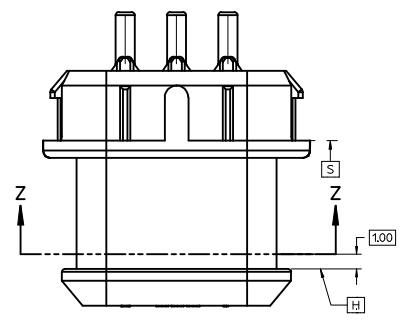
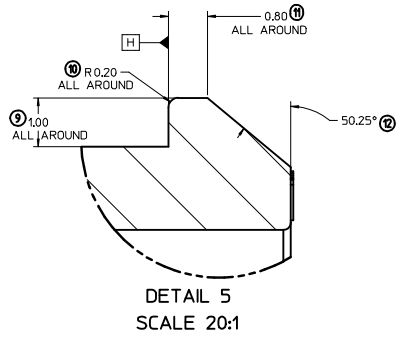
SEE REV. COLUMN ELEC. NO. UAU2015-0191 DRAWN BY: UAU2015-0191 CHECKED BY: CHYKX81ANG APPR: WKOSHY DATE: 2014/08/13 DATE: 2014/09/05	QUALITY SYMBOLS ∇=0 ∇=0 ∇=0	GENERAL TOLERANCES (UNLESS SPECIFIED)		DIMENSION STYLE MM ONLY	SCALE 2:1	DESIGN UNITS METRIC	THIRD ANGLE PROJECTION
		4 PLACES ± mm ± INCH	DRAWN BY: DMARCOUX DATE: 06-12-02	TITLE MX150 1X3 BLADE SEALED ASSEMBLY MAT SEAL			
		3 PLACES ± 0.10 ± ---	CHECKED BY: DGRIFFIT DATE: 06-12-02	molex			
		2 PLACES ± 0.3 ± ---	APPROVED BY: FHOLUB DATE: 06-12-02	MATERIAL NO. SEE BOM	DOCUMENT NO. SD-33481-031	SHEET NO. 5 OF 7	
ANGULAR ± 3 ° DRAFT WHERE APPLICABLE MUST REMAIN WITHIN DIMENSIONS		THIS DRAWING CONTAINS INFORMATION THAT IS PROPRIETARY TO MOLEX INCORPORATED AND SHOULD NOT BE USED WITHOUT WRITTEN PERMISSION					

ASSEMBLY PART NUMBER	COLOR	KEYING OPTION	CAVITY TYPE & STATUS (X = PLUGGED)			COMMENTS	OPTIONAL ATTACHMENT SOLD SEPARATELY SMP RUBBER BOOT
			1	2	3		
33481-0301	BLACK	A					NOT AVAILABLE
33481-0302	LT. GRAY	B					NOT AVAILABLE
33481-0303	BROWN	C				NOT RECOMMENDED, SEE P/N 33481-0322	NOT AVAILABLE
33481-0304	GREEN	D				NOT RECOMMENDED, SEE P/N 33481-0323	NOT AVAILABLE
33481-0305	CUSTOM	TBD					NOT AVAILABLE
33481-0306	BLACK	A			X		NOT AVAILABLE
33481-0307	LT. GRAY	B			X		NOT AVAILABLE
33481-0308	BROWN	C			X		NOT AVAILABLE
33481-0309	GREEN	D			X		NOT AVAILABLE
33481-0310	CUSTOM	TBD			X		NOT AVAILABLE
33481-0311	BLACK	A	X		X		NOT AVAILABLE
33481-0312	LT. GRAY	B	X		X		NOT AVAILABLE
33481-0313	BROWN	C	X		X		NOT AVAILABLE
33481-0314	GREEN	D	X		X		NOT AVAILABLE
33481-0315	CUSTOM	TBD	X		X		NOT AVAILABLE
33481-0316	BLACK	A	X	X	X		NOT AVAILABLE
33481-0317	LT. GRAY	B	X	X	X		NOT AVAILABLE
33481-0318	BROWN	C	X	X	X	NOT RECOMMENDED, SEE P/N 33481-0324	NOT AVAILABLE
33481-0319	GREEN	D	X	X	X	NOT RECOMMENDED, SEE P/N 33481-0325	NOT AVAILABLE
33481-0320	CUSTOM	TBD	X	X	X		NOT AVAILABLE
33481-0321	BLACK	A		X			NOT AVAILABLE
33481-0322	DK. GRAY	C					NOT AVAILABLE
33481-0323	ST. GRAY	D					NOT AVAILABLE
33481-0324	DK. GRAY	C	X	X	X		NOT AVAILABLE
33481-0325	ST. GRAY	D	X	X	X		NOT AVAILABLE
33481-0330	YELLOW	A					NOT AVAILABLE
33481-0340	BLACK	A				RUBBER BOOT CONFIGURATION	P/N TBD
33481-0341	BLACK	A	X	X	X	RUBBER BOOT CONFIGURATION	P/N TBD

SEE REV. COLUMN SEC NO: UAU2015-0191 DRAWN: SONGS 2014/08/13 CHECKED: BTANG 2014/08/13 APPR: IKOSHI 2014/09/05	QUALITY SYMBOLS ∇=0 ∇=0 ∇=0	GENERAL TOLERANCES (UNLESS SPECIFIED): mm INCH		DIMENSION STYLE MM ONLY	SCALE DESIGN UNITS METRIC	THIRD ANGLE PROJECTION
		4 PLACES ±.004 ±.004 3 PLACES ±.005 ±.005 2 PLACES ±0.10 ±.005 1 PLACE ±0.3 ±.005 0 PLACE ± ±	DRAWN BY: DMARCOUX CHECKED BY: DGRIFFIT APPROVED BY: FHOLUB	DATE: 06-12-02 DATE: 06-12-02 DATE: 06-12-02	MATERIAL NO. SEE BOM	DOCUMENT NO. SD-33481-031

THIS DRAWING CONTAINS INFORMATION THAT IS PROPRIETARY TO MOLEX INCORPORATED AND SHOULD NOT BE USED WITHOUT WRITTEN PERMISSION

RUBBER BOOT INTERFACE



SEE REV. COLUMN EC NO. UAU2015-0191 DRAWN: SONGS 2014/08/13 CHKD: XBTANG 2014/08/13 APPR: WKOSHY 2014/09/05	QUALITY SYMBOLS	GENERAL TOLERANCES (UNLESS SPECIFIED)	DIMENSION STYLE	SCALE	DESIGN UNITS	THIRD ANGLE PROJECTION
	∇=0 ∇=0 ∇=0	mm INCH 4 PLACES ± --- ± --- 3 PLACES ± 0.10 ± --- 2 PLACES ± 0.3 ± --- 1 PLACE ± --- ± --- 0 PLACE ± --- ± ---	MM ONLY	2:1	METRIC	DRAWN BY DATE DMARCOUX 06-12-02 CHECKED BY DATE DGRIFFIT 06-12-02 APPROVED BY DATE FHOLUB 06-12-02
	ANGULAR ± 3 ° DRAFT WHERE APPLICABLE MUST REMAIN WITHIN DIMENSIONS	MATERIAL NO. SEE BOM	DOCUMENT NO. SD-33481-031	SHEET NO. 7 OF 7		
	THIS DRAWING CONTAINS INFORMATION THAT IS PROPRIETARY TO MOLEX INCORPORATED AND SHOULD NOT BE USED WITHOUT WRITTEN PERMISSION					