

FEATURES AND SPECIFICATIONS

Features and Benefits

- Environmentally sealed to IP67
- Integrated mat wire seal and terminal position assurance (TPA)
- Optional connector position assurance (CPA)
- Simple crimp-and-poke application
- Field serviceable contact removal system
- Tactile and audible mating feedback

Reference Information

UL File No.: E152602
 Designed In: Inches
 Mates With: 19419, 19429 and 19435

Electrical

Dielectric Withstanding Voltage: 2200V AC min.
 Insulation Resistance: 1000 Megohms
 Voltage: 600V

Mechanical

Mating force: 75N max.
 Unmating force: 75N max.

Physical:

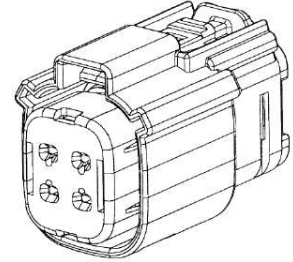
Housing: SPS Glass-Filled Crystalline Polymer
 Operating Temperature: -40 to +125°C



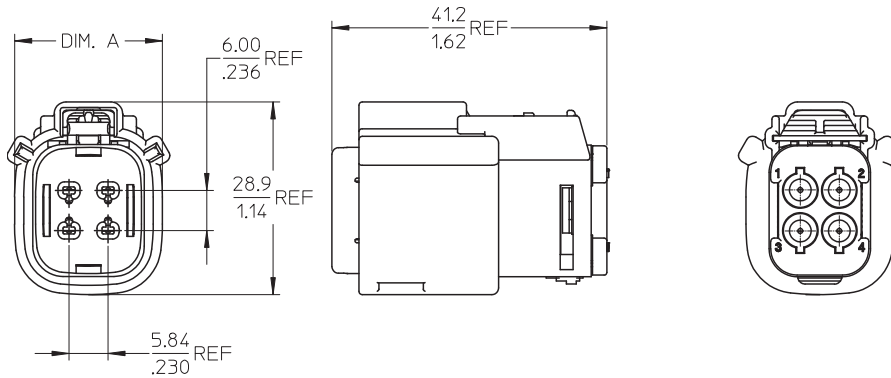
5.84mm (.230") Pitch MX150L™ Receptacle

19418

Dual Row



CATALOG DRAWING (FOR REFERENCE ONLY)



ORDERING INFORMATION

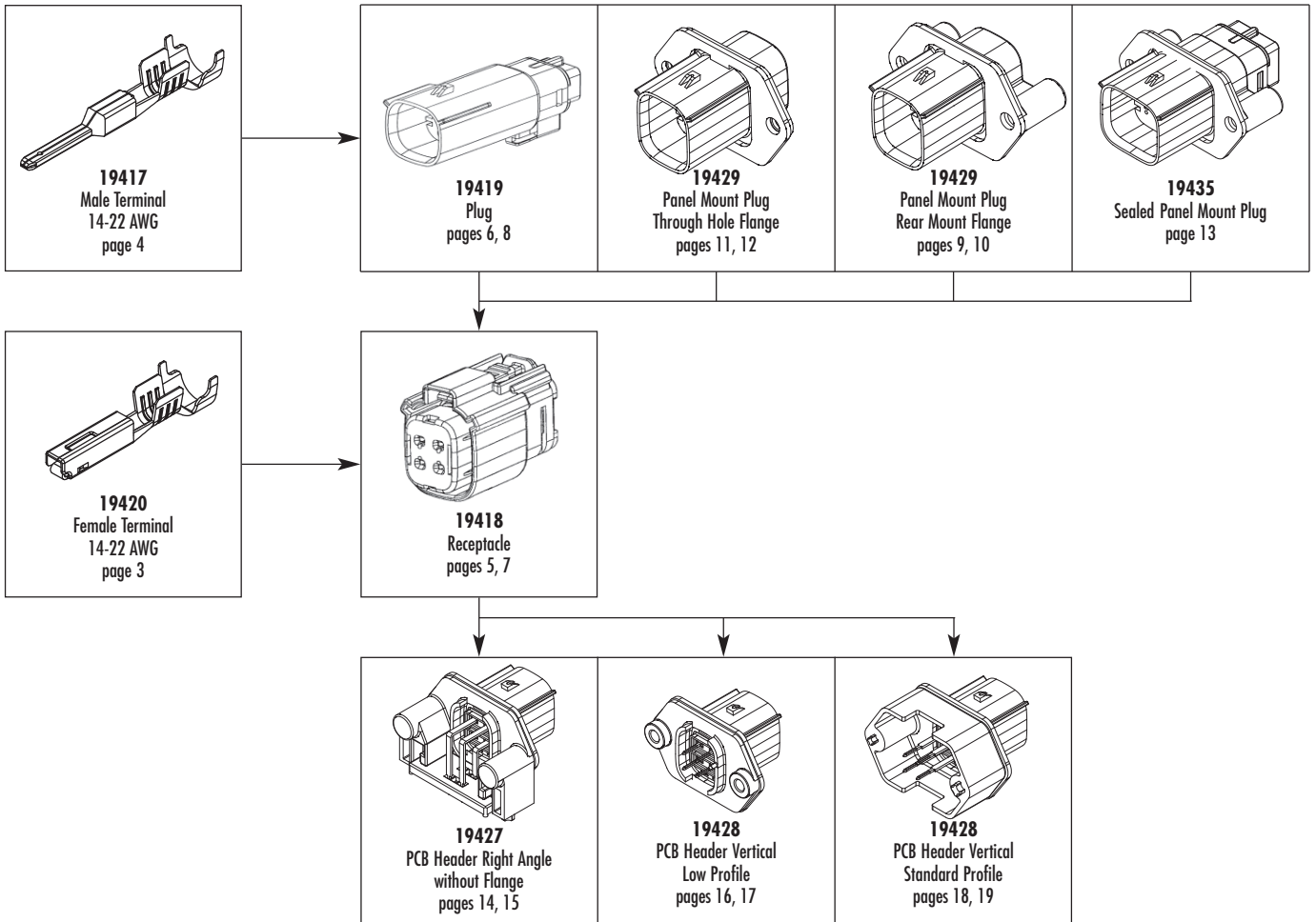
Circuits	Wire Range (AWG)	Mat Seal Color	Order No.		Dimension A
			With CPA	Without CPA	
4	18-22	Red	19418-0005	19418-0018	22.15 (.872)
	14-16	Blue	19418-0004	19418-0019	
6	18-22	Red	19418-0011	19418-0020	27.99 (1.102)
	14-16	Blue	19418-0010	19418-0021	
8	18-22	Red	19418-0001	19418-0022	33.83 (1.332)
	14-16	Blue	19418-0002	19418-0023	
10	18-22	Red	19418-0014	19418-0024	39.67 (1.562)
	14-16	Blue	19418-0013	19418-0025	
12	18-22	Red	19418-0026	19418-0038	45.51 (1.792)
	14-16	Blue	19418-0027	19418-0037	
16	18-22	Red	19418-0029	19418-0040	57.19 (2.252)
	14-16	Blue	19418-0030	19418-0039	



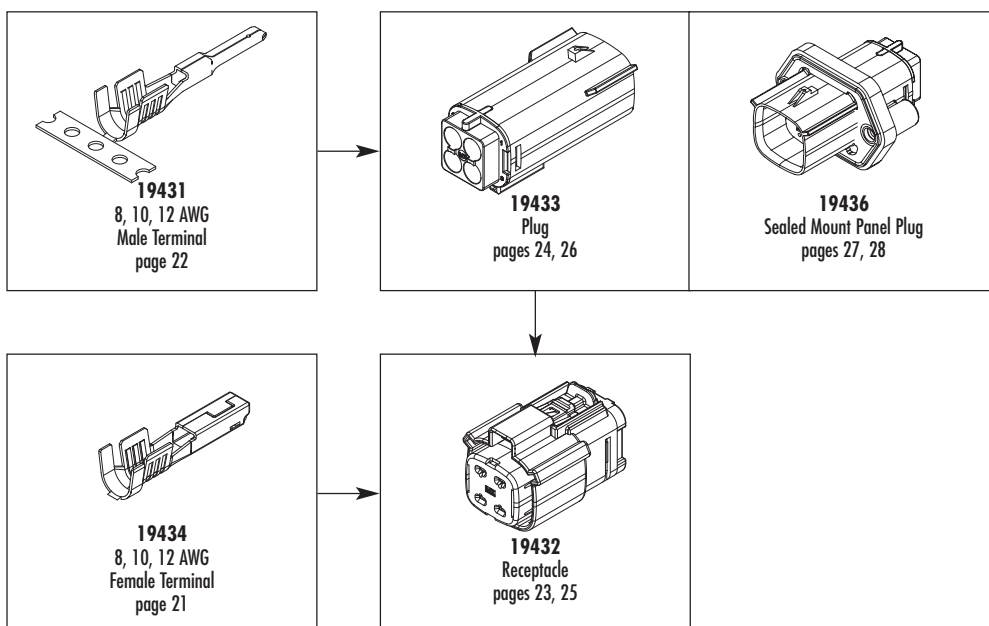
MX150L™

Product Overview

14 TO 22 AWG WIRE-TO-WIRE, PANEL MOUNT AND PCB



8, 10 AND 12 AWG WIRE-TO-WIRE

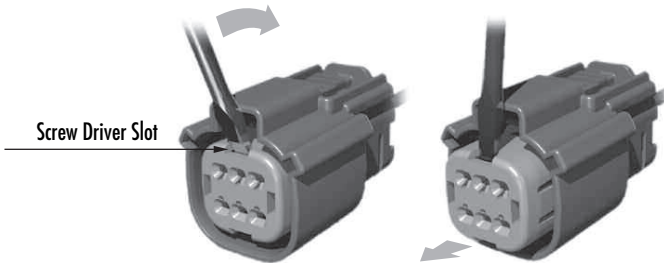


SEALED RECEPTACLE ASSEMBLY - SERVICEABILITY



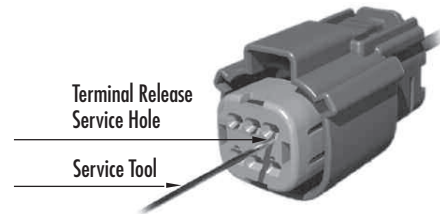
1) Return TPA to pre-lock position

- Carefully insert a standard screw driver into slot on top of TPA.
- Carefully pry TPA forward and listen for audible click.
- TPA is now in pre-lock position.



2) Release terminal from connector assembly

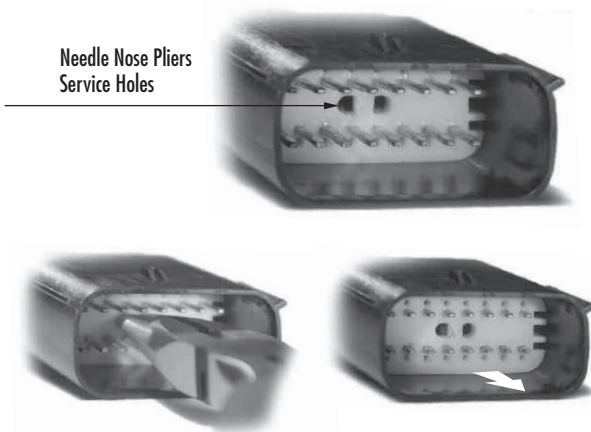
- Insert and drive forward extractor tool to release terminal.
- Pull terminal from rear of connector.



SEALED BLADE ASSEMBLY - SERVICEABILITY

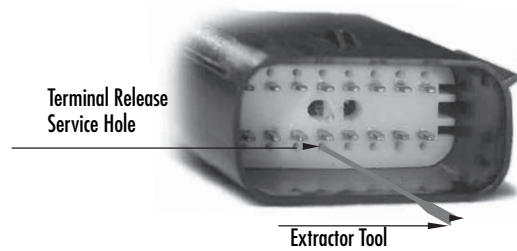
1) Return TPA to pre-lock position

- Use standard needle nose pliers to return TPA to pre-lock position.
- Insert needle nose pliers into service hole and carefully pull TPA.
- Listen for loud audible click.
- TPA is now in pre-lock position.



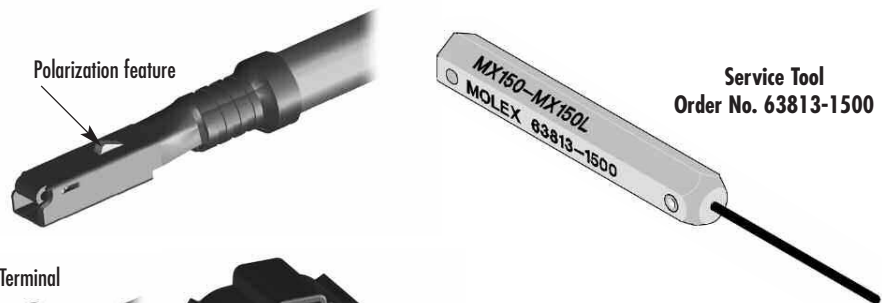
2) Release terminal from connector assembly

- Insert and drive forward extractor tool to release terminal.
- Pull terminal from rear of connector.



TERMINAL INSTALLATION

Assure housing TPA is in pre-lock position. Align polarization feature on terminal with keyway in seal cap. Insert terminal and push until seated. Push receptacle TPA back to locked position. Plug TPA will return to locked position when mated with receptacle housing.



90° Mis-oriented Terminal

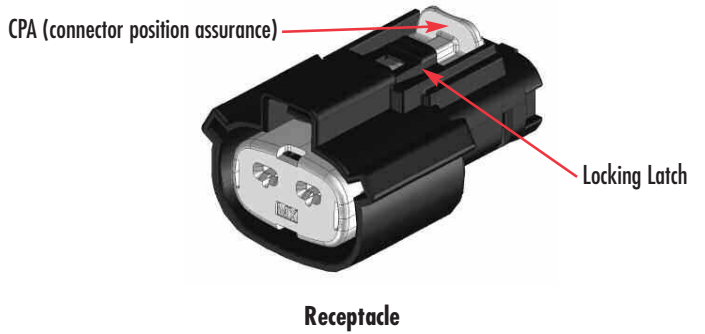
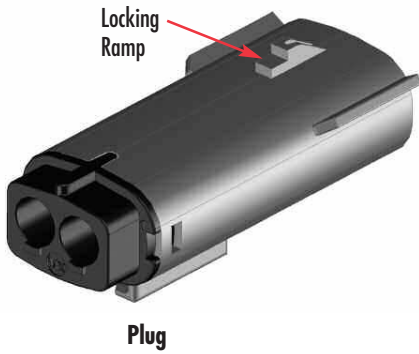


180° Mis-oriented Terminal



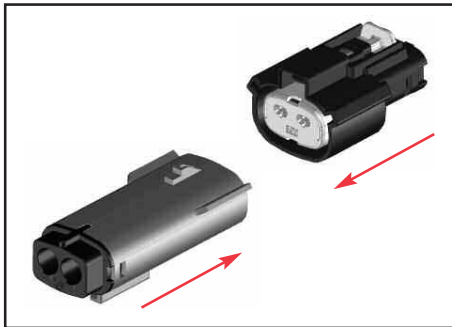
Correctly oriented Terminal



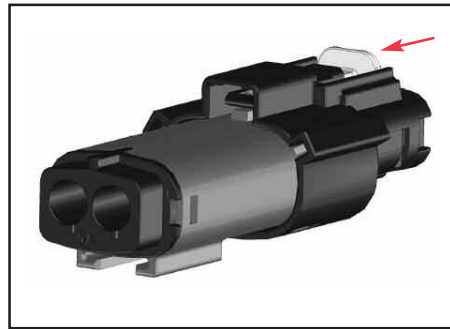


To Mate:

1. Firmly push connectors together until you feel them snap together, you should hear a click. This audible and tactile confirmation ensures the connectors are properly and fully mated.

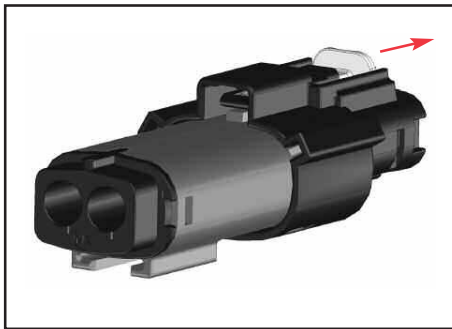


2. Press CPA towards plug to engage the secondary lock.



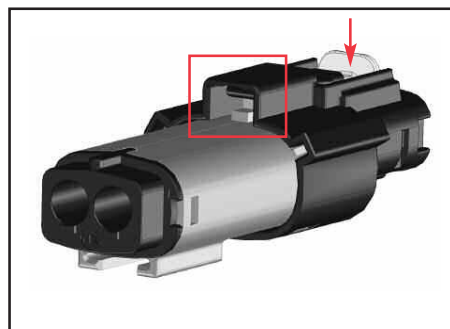
To Unmate:

1. Pull back CPA

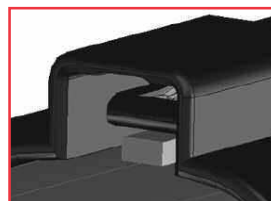
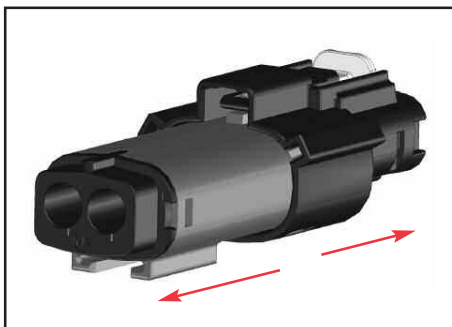


2. Fully depress locking latch

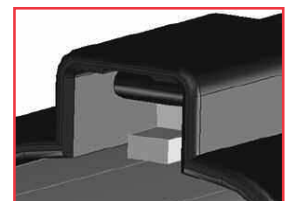
Locking latch must be fully depressed to release the locking ramp on the plug and allow the connectors to be separated!



3. Pull connectors apart



Locking latch shown down, cannot unmate connectors



Locking latch shown fully depressed, latch releases locking ramp