



THIS DRAWING AND DESIGN HEREON CONSTITUTE A PROPRIETARY DESIGN OF PACKARD ELECTRIC DIVISION AND IS NOT TO BE DUPLICATED OR REPRODUCED WITHOUT AUTHORITY OF PACKARD ELECTRIC DIVISION.

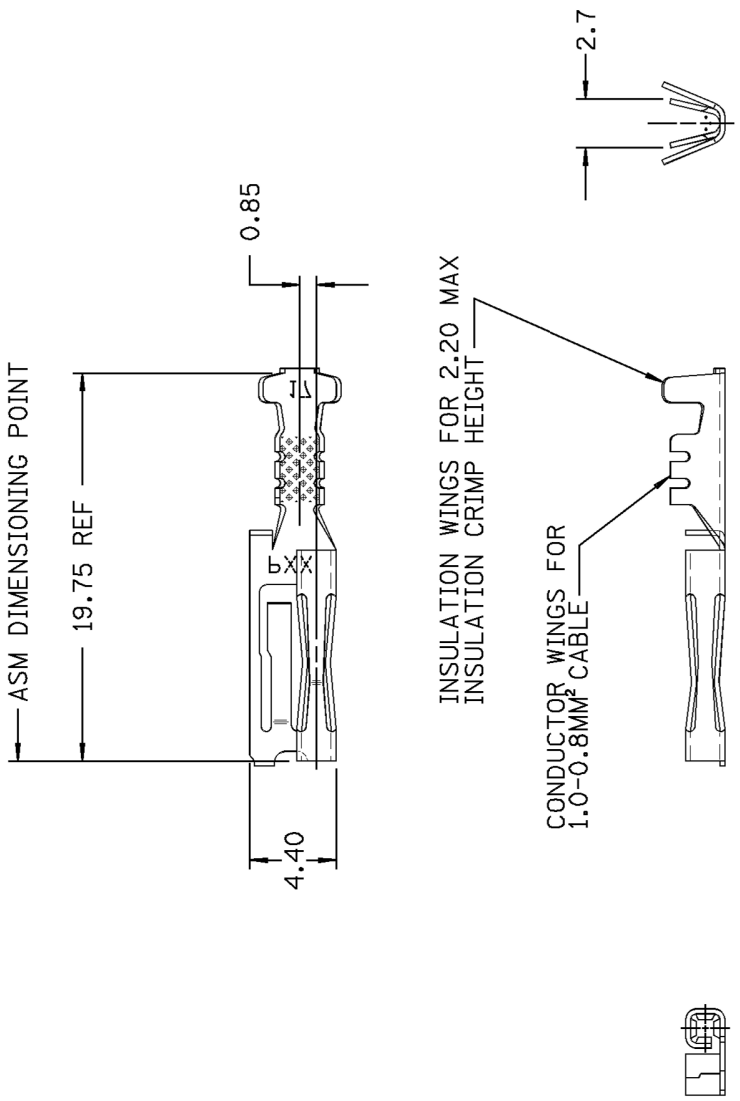
DO NOT SCALE

PACKARD ELECTRIC DIVISION
GENERAL MOTORS CORPORATION
WARREN, OHIO

PART NO. 1208 9649

DATE	SYM	REVISION RECORD	AUTHORITY	DR	CK
13AP89	A	RELEASED	890005	CDH	CDH
03NO89	—	REVISED GRAPHICS	131127	B0G	B0G
29MY90	—	GRAPHICS REVISED	134292	A1L	A1L
14MY91	—	REMOVED 5.00 - 2 PLCS, 4.00 - 2 PLCS			
		CONTACT LINES A & B	142309	JK	HH
23SE91	B	2.7 WAS 2.5	144297	TLM	TLM
09DE92	-	REVISED GRAPHICS	152070	BKD	BKD
13AU12	03	COMPOUND MAT'L CHANGE	419228	ARC	DAB
24AU12	03AA	UPDATED PDM ATTRIBUTES	419410	JLP	JAA

FILE ***** DGN#SPECIFICATION# ***** SPEC: *****SYTIME*****	
METRIC DIMENSIONS ARE IN MILLIMETERS UNLESS OTHERWISE SPECIFIED.	
TOLERANCE UNLESS OTHERWISE SPECIFIED DECIMAL: ONE PLACE ± 0.2 TWO PLACE ± 0.10 ANGULAR ± 2°	
Q.C. DR. CRAIG D. HOOPES	13AP89
DWG. DATE 13AP89	SCALE NONE THIRD ANGLE PROJECTION
EST. NO. CK. CRAIG D. HOOPES	DATE 13AP89
REFERENCE NO. SHEET #2	APPR.
12020760 "E" SIZE	APPR. R. KEARNS DATE 18AP89
MATERIAL SPEC. TIN PLATED COPPER ALLOY BLEND	



- NOTES —
- 1. MATING PIN 12020762 OR EQUIVALENT.
 - 2. DIMENSIONS MARKED "REF" ARE FOR REFERENCE ONLY AND NO TOLERANCE LIMITS ARE ESTABLISHED.

NAME: TERM F MIC/P 100
 PART NO. 1208 9649
 OUTLINE DRAWING
 SIZE: B

PACKARD ELECTRIC