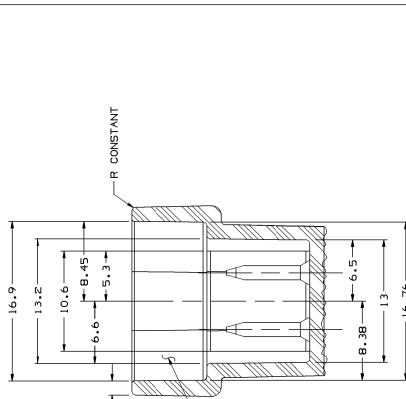
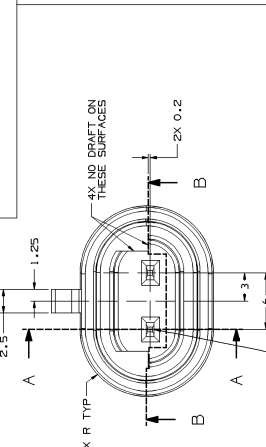
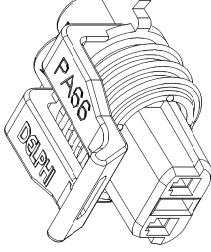
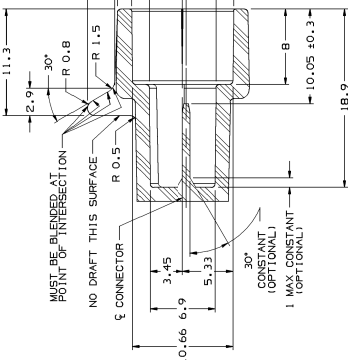


# MATING CONNECTOR INFORMATION

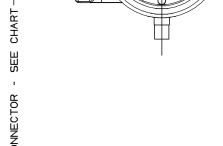
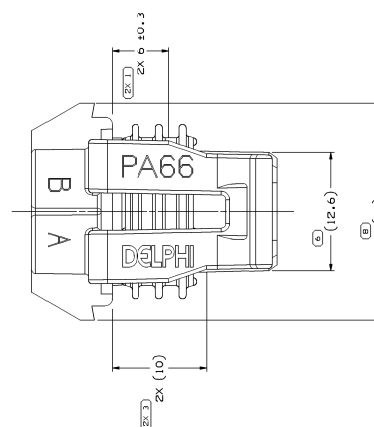
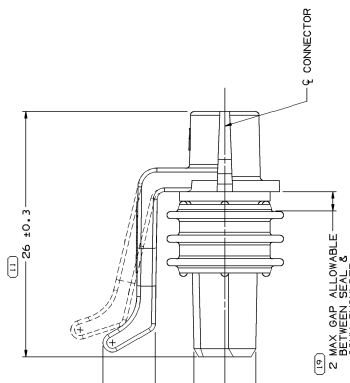
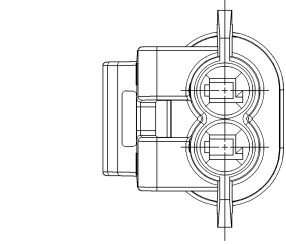


SECTION B - B

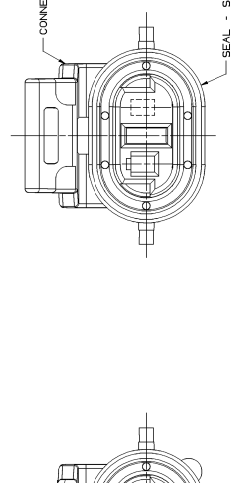


SECTION A - A

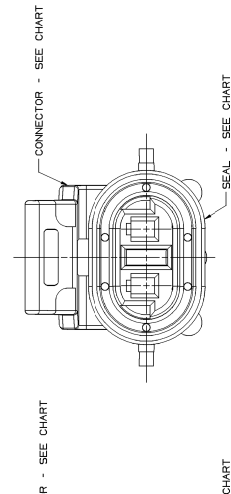
- NOTES**
- ALL RADI 0.4, UNLESS OTHERWISE SPECIFIED
  - RECOMMENDED MATERIAL - GLASS FILLED NYLON OR POLYESTER
  - WHEN USING THIS INFORMATION FOR A NEW DESIGN, REQUEST THE LATEST COPY OF THIS PRINT FROM DELPHI FORWARD ELECTRIC



TYPE 101



TYPE 103



TYPE 102

KNOCKOUT PAD CONSTRUCTION

- NOTES**
- UNLESS OTHERWISE SPECIFIED AND/OR INDICATED, AUTOMATICALLY ROUND TO NEXT LOWER DIMENSION. (SEE MATH MODEL FOR PRECISION DIMENSIONS). FOR ALL DIMENSIONS, USE THE MATH MODEL FOR PRECISION TOOL PATH DATA.
  - WHEN PARTS ARE SHIPPED, THEY MUST BE PACKED IN PLASTIC BAGS OR LINERS. SHIPPING CONTAINERS MUST BE LINED WITH PLASTIC LINERS. BAGS OR LINERS MUST BE SEALED TO AVOID ENTRY OF FOREIGN MATTER.
  - DESIGN WILL PASS SALT FOG AND IMMERSION TEST AFTER CONDITIONING AS SPECIFIED IN MIL-STD-883C METHOD 2000, TEST METHOD 1014.5, TEST PROCEDURE 1014.5.5, OR MIL-STD-883C METHOD 2009, TEST PROCEDURE 2009.5.3, UNDERHOOD MICROPACK, C-4006, (WORLD CONNECTOR), ETC. WHEN MATED TO MATING PART OR EQUIVALENT.
  - FOR APPLICATION DATA SEE THE INDIVIDUAL APPLICATION DRAWINGS.
  - THIS PRODUCT IS NOT CERTIFIED AS AN APPEARANCE ITEM. MINOR IMPERFECTIONS INCLUDING, BUT NOT LIMITED TO, FLOW MARKS, COLOR BLENDISHES, GATE VESTIGES, AND SOFT FLASH THAT DO NOT AFFECT THE FIT, FORM, OR FUNCTION OF THE PART ARE PERMISSIBLE PER DRMP-47, CS-01.
  - FOR PART NUMBER WITH ADHESIVE, USE M3510001 OR ADHESIVE APPROVED BY MATERIALS ENGINEERING TO BLUE CONNECTOR SEAL TO CONNECTOR.

REV	DESCRIPTION	DATE	BY	CHK	APP	QTY	STOCK	STATUS	NUMBER OF QUANTITIES	QUANTITIES BLOCKED	CONNECTOR BODY	TYPE	CONNECTOR SEAL	CONNECTOR COLOR
1						2			2	NONE	13765883	01	01	BLACK
2						0			0	NONE	13765883	01	04	LT GRA
3						0			0	A/B	13765883	01	02	LT GRU
4						2			2	NONE	13765883	01	02	LT GRU
5						1			1	NONE	13765883	01	01	LT GRU
6						2			2	08SOLITE	12162409	A2	01	NA1
7						2			2	08SOLITE	12162409	A2	01	BLACK
8						2			2	08SOLITE	12162409	A2	01	LT GRU
9						2			2	NONE	12084998	B10	01	BLUE
10						2			2	NONE	12084998	B10	01	LT GRU

PART NUMBER WITH ADHESIVE: 12089588  
 PART NUMBER WITHOUT ADHESIVE: 12089588  
 12089588  
 12089588