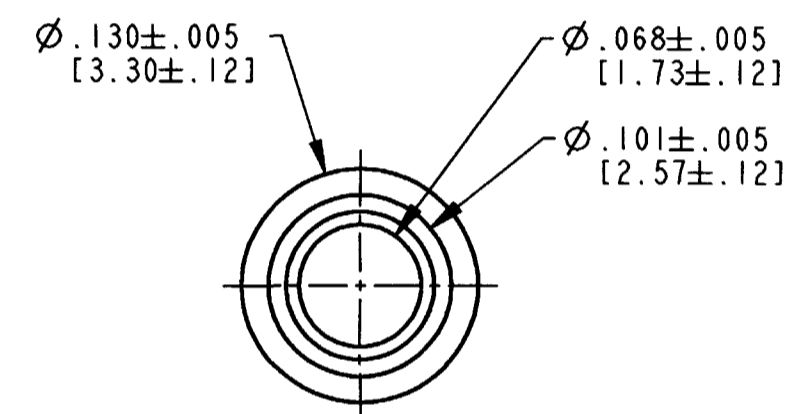
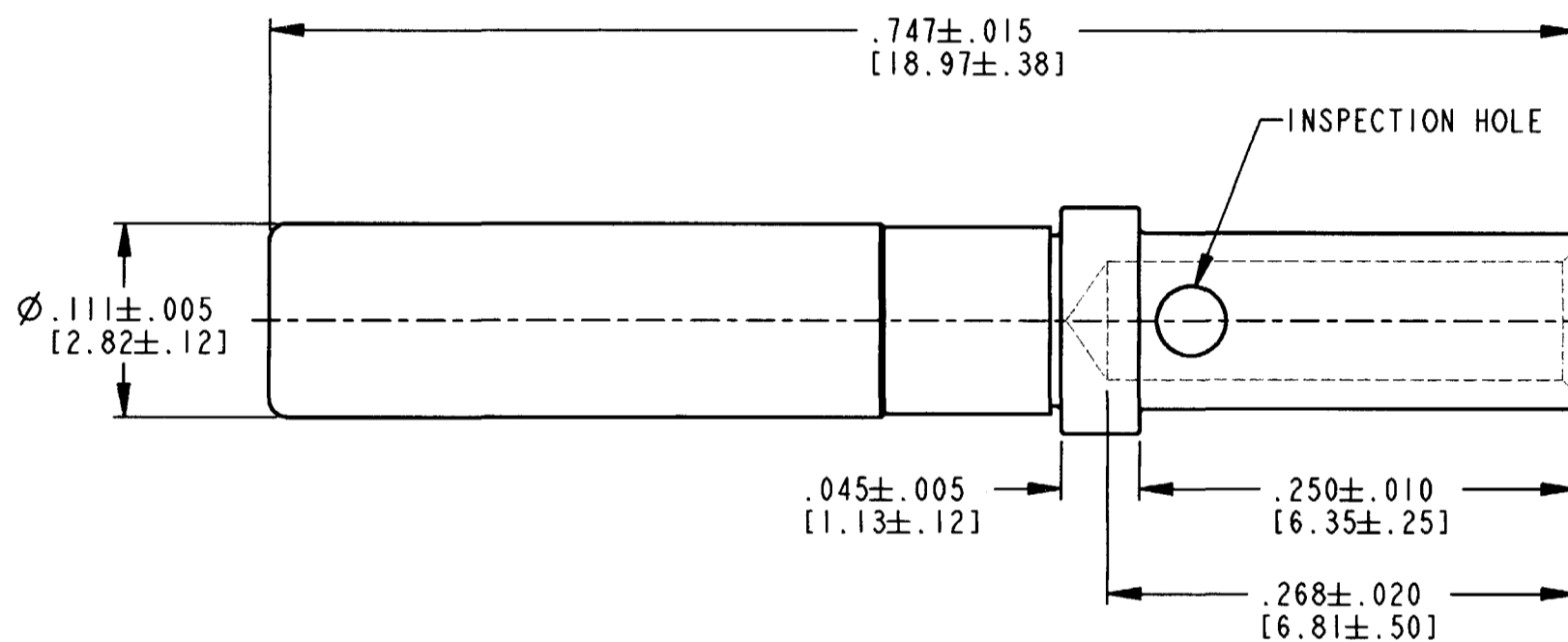


REV  
A 0462-201-16\*\*

REVISIONS			
SYM	DESCRIPTION	DATE	APPROVED
NC	NEW RELEASE PER E.O. P15506	12/23/97	RDR
A	REVISED PER E.O. P15996	5-25-99	RDR



4. FOR CONTACT PERFORMANCE AND APPLICATION CHARACTERISTICS SEE DRAWING 0425-015-0000.
3. FOR CRIMPING INFORMATION SEE DRAWING 0425-205-0000.
2. WHEN \*\* = 31: PLATING IS GOLD OVER NICKEL.  
WHEN \*\* = 141: PLATING IS NICKEL.
1. DIMENSIONS ARE IN INCHES [mm].
- NOTES:

SIGNATURE & DATE	
DR	D. MEYER 12/17/97
CHK	H. L. ... 1/18/99
PE	D. Meyer 1/22/99
APPD	R. Roads 5-25-99
SCALE	10:1 WT

CONTACT SOCKET  
SIZE 16

CP	MATL. CODE
<b>The Deutsch Company</b> DEUTSCH I.P.D. 3850 INDUSTRIAL AVE. HEMET, CALIF. 92545	
<b>B</b>	<b>0462-201-16**</b>
DWG SIZE	CODE 11139 SHEET 1 OF 1

ENVELOPE