

Sep.1.2017 Copyright 2017 HIROSE ELECTRIC CO., LTD. All Rights Reserved.

COUNT	DESCRIPTION OF REVISIONS	BY	CHKD	DATE	COUNT	DESCRIPTION OF REVISIONS	BY	CHKD	DATE
1	DIS-E-000525	Y.S	H.M	06.06.22					

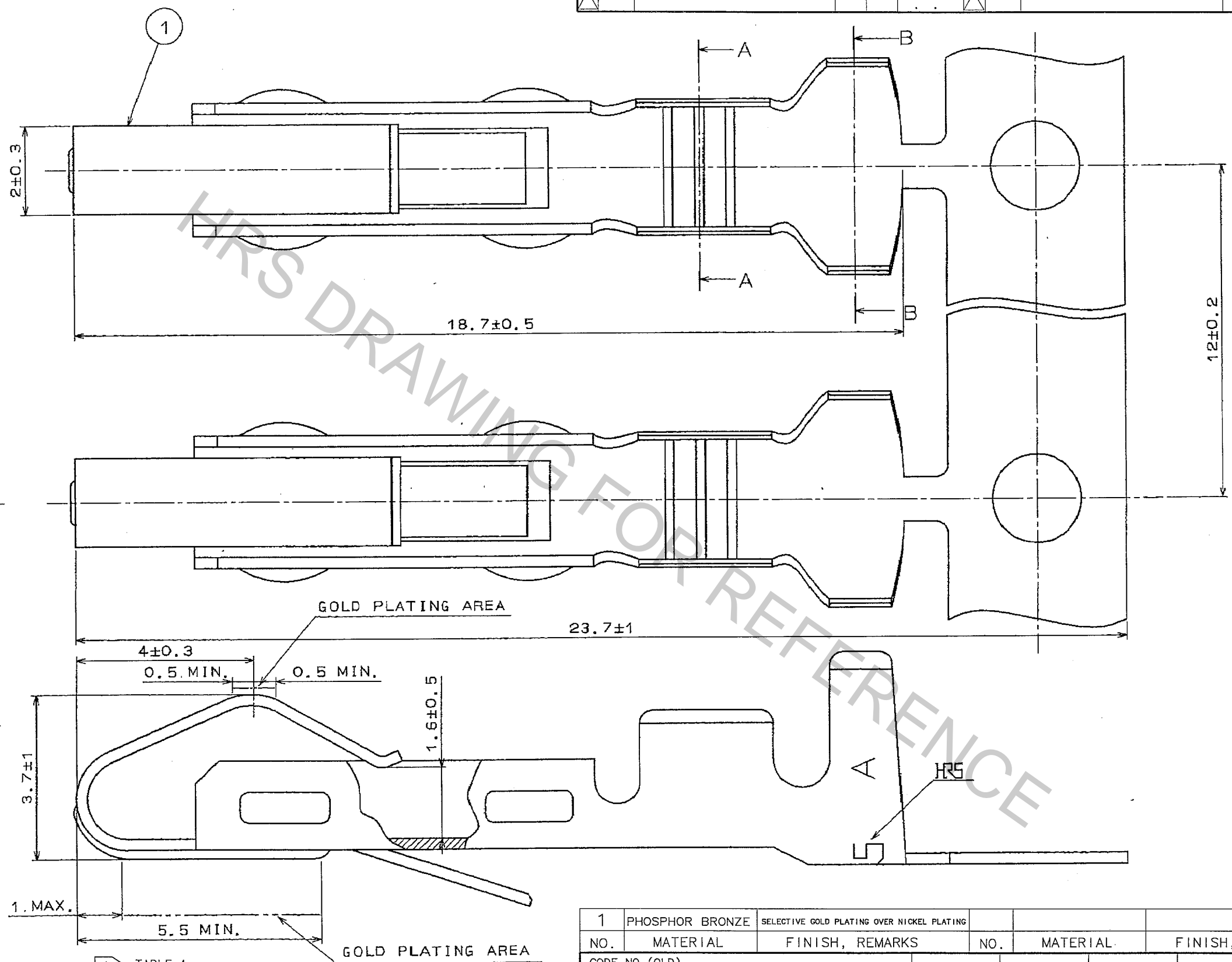
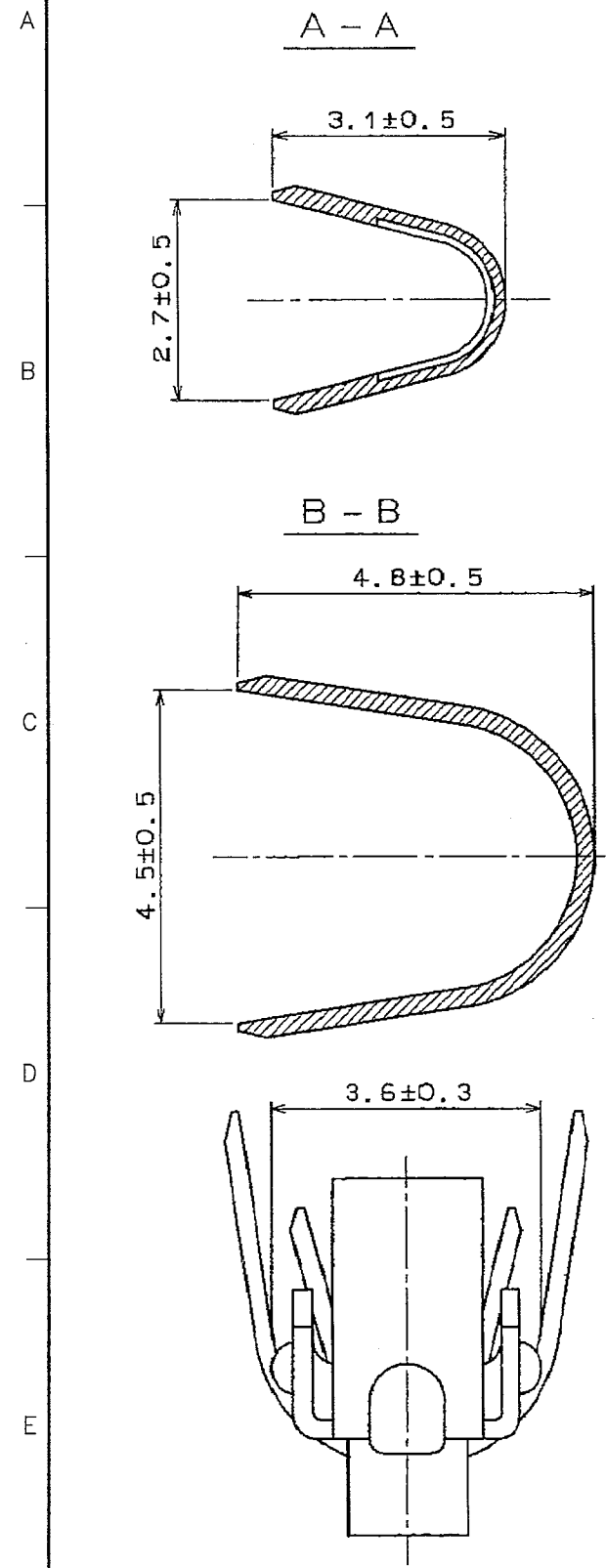


TABLE-1

	WIRE SIZE	SAFETY STANDARD		
		UL	CSA	TUV
CURRENT RATING	AWG#14	10A	10A	10A
	AWG#16		8A	10A

NOTE 1 APPLICABLE WIRE SIZE AND CURRENT RATING ARE AS PER TABLE-1.

NO.	MATERIAL	FINISH, REMARKS	NO.	MATERIAL	FINISH, REMARKS
1	PHOSPHOR BRONZE	SELECTIVE GOLD PLATING OVER NICKEL PLATING			

CODE NO. (OLD)	DRAWN	DESIGNED	CHECKED	APPROVED	RELEASED
	T.WATANABE	T.WATANABE	H.MIWA	S.KIKUTA	
	95.08.03	95.08.03	95.08.03	95.08.04	

SCALE	DRAWING NO.	PART NO.
10 : 1	EDC3-008308-03	QR/P-XC-211(12)

UNITS	CODE NO.
mm	CL221-0011-4-12

TO
Q2