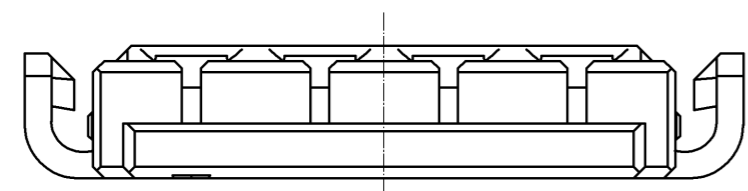
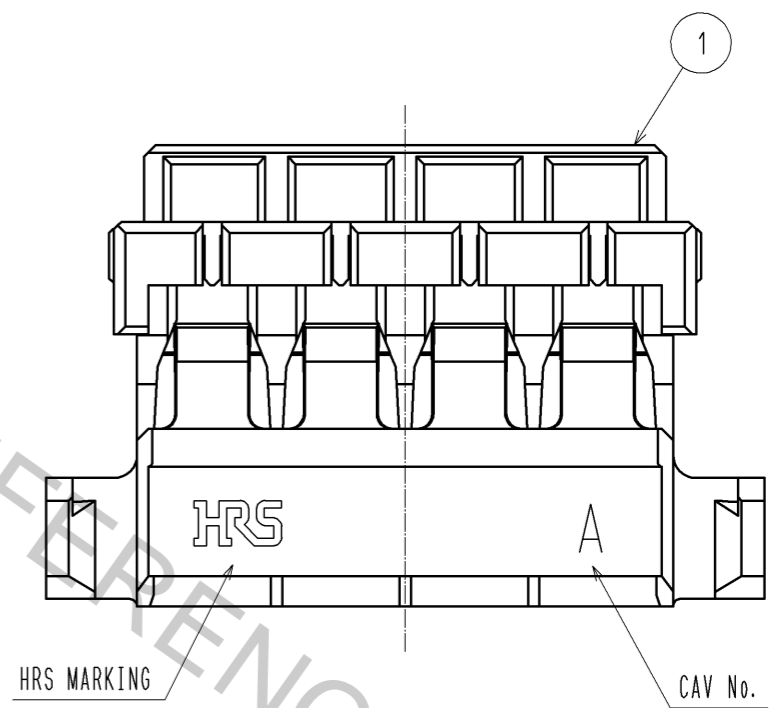
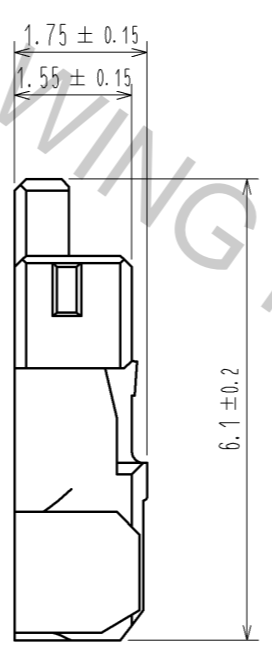
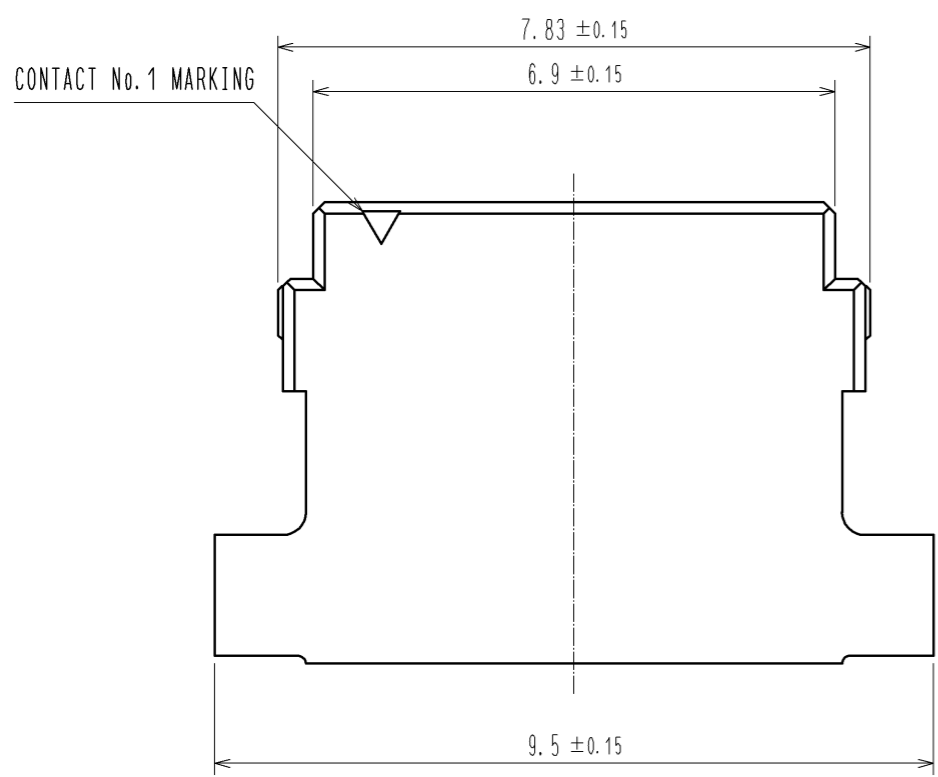
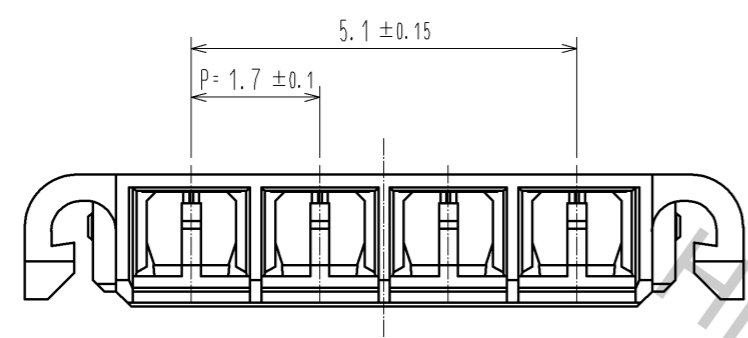


Mar.1.2018 Copyright 2018 HIROSE ELECTRIC CO., LTD. All Rights Reserved.



NO.	MATERIAL	FINISH . REMARKS	NO.	MATERIAL	FINISH . REMARKS		
1	LCP			UL94V-0. NATURAL			
UNITS	SCALE	COUNT	DESCRIPTION OF REVISIONS		DESIGNED	CHECKED	DATE
mm	10 : 1	△					
HIROSE ELECTRIC CO., LTD.			APPROVED : KI. AKIYAMA	14. 01. 15	DRAWING NO. EDC3-351455-00		
			CHECED : OM. MIYAMOTO	14. 01. 15	PART NO. DF65-4S-1.7C		
			DESIGNED : TT. OHSAKO	14. 01. 14	CODE NO. CL666-6007-3-00		
			DRAWN : TT. OHSAKO	14. 01. 14	△ 1/1		