

PCB hole pattern

NOTES:

1. MATERIALS AND FINISHES:

- INSULATOR: GLASS FILLED PLASTIC UL 94 V-0 RATED, GREY RAL 7035
- CONTACTS: COPPER ALLOY, PLATING: 0,8 μ M GOLD OVER NICKEL

2. ELECTRICAL CHARACTERISTICS:

CREEPING AND CLEARANCE DISTANCE; MINIMUM:

- CONTACT 47 TO CONTACT 46: 2,5 MM
- CONTACT 47 TO CONTACT 45: 3,2 MM
- CONTACT 46 TO CONTACT 45: 3,2 MM
- CONTACT 47 TO SIGNAL CONTACTS: 6,4 MM
- CONTACT 46 TO SIGNAL CONTACTS: 6,4 MM
- CONTACT 45 TO SIGNAL CONTACTS: 2,0 MM

CONTACT CURRENT RATING:

- POWER CONTACTS POS. 45-47: 40 AMPERES CONTINUOUS, ALL CONTACTS UNDER LOAD
 - POWER CONTACTS POS. 1-20: 28 AMPERES CONTINUOUS, ALL CONTACTS UNDER LOAD
 - SIGNAL CONTACTS: 3 AMPERES NOMINAL
- INITIAL CONTACT RESISTANCE PER IEC 512-2, TEST 2b:
- POWER CONTACTS: 0,0007 OHM MAX.
 - SIGNAL CONTACTS: 0,004 OHM MAX.

INSULATION RESISTANCE: 5 G OHM PER IEC 512-2, TEST 3a, METHOD A

VOLTAGE PROOF:

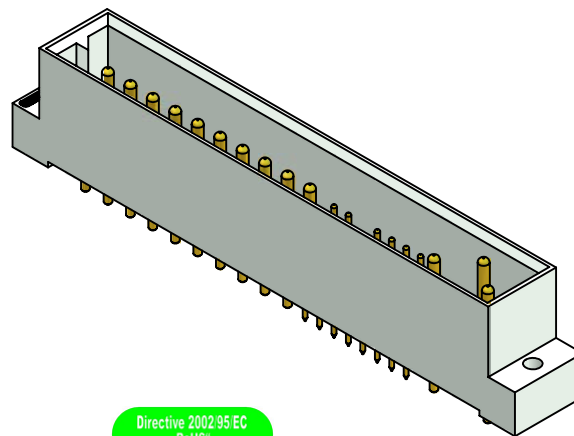
- CONTACTS POS. 45, 46, 47: 3 kV r.m.s.
- CONTACTS POS. 1-20: 1,5 kV r.m.s.
- CONTACTS POS. 21-44: 1 kV r.m.s.

3. WORKING TEMPERATURE: -55°C TO +125°C

4. ORDER OF CONTACT MATING:

- 1.MATE: POS.45 / 2.MATE: POS.46 / LAST MATE: POS.27

5. CONNECTOR IS PART MARKED: [PART-NO. CONEC ABC]



Directive 2002/95/EC
RoHS
Compliant

1	Signal contact type 2 (Pos. 27)	5		
23	Signal contact type 1 (Pos. 21-26, 28-44))	4		
3	Power contact type 2 (Pos. 45-47)	3		
20	Power contact type 1 (Pos. 1-20)	2		
1	Case 47pos. male	1		
quantity	part description	partlist	item	dwg no. / norm
				material

THIS DRAWING MAY NOT BE COPIED OR REPRODUCED IN ANY WAY, AND MAY NOT BE PASSED ON TO A THIRD PARTY WITHOUT THE WRITTEN PERMISSION OF CONEC GmbH	finish:	tolerance	scale:	2:1
	see notes	ISO 2768-m		material:
	date	name	title:	
	drawn 21.02.06	Schmidt	PLUG CONNECTOR 47pos.	
appd. 21.02.06	Kühle	SOLDER PIN STRAIGHT		
norm		CompactPCI		
d-old		dwg no:	[Inventor]	DIN-
				A2
				sh: 1
rev.	description	date	name	part no:
				45K2A010
				CPH47W23MGRCSK9X

