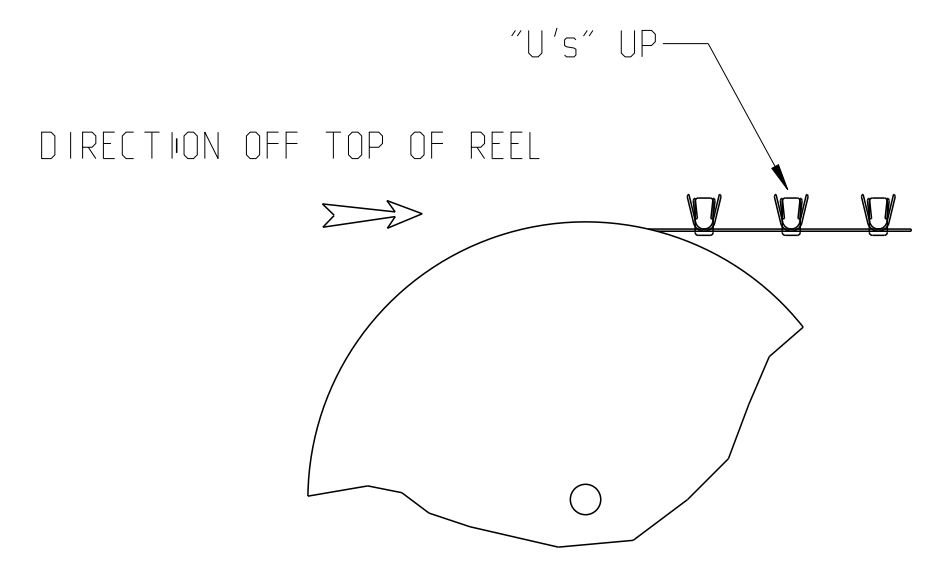
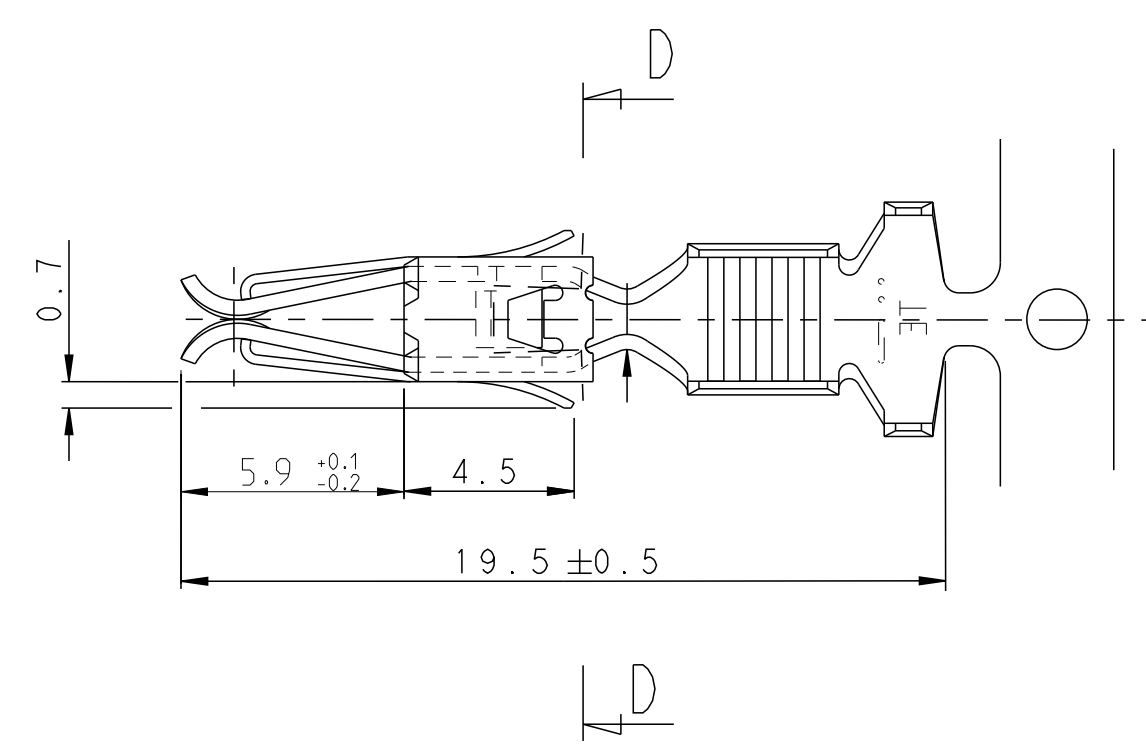
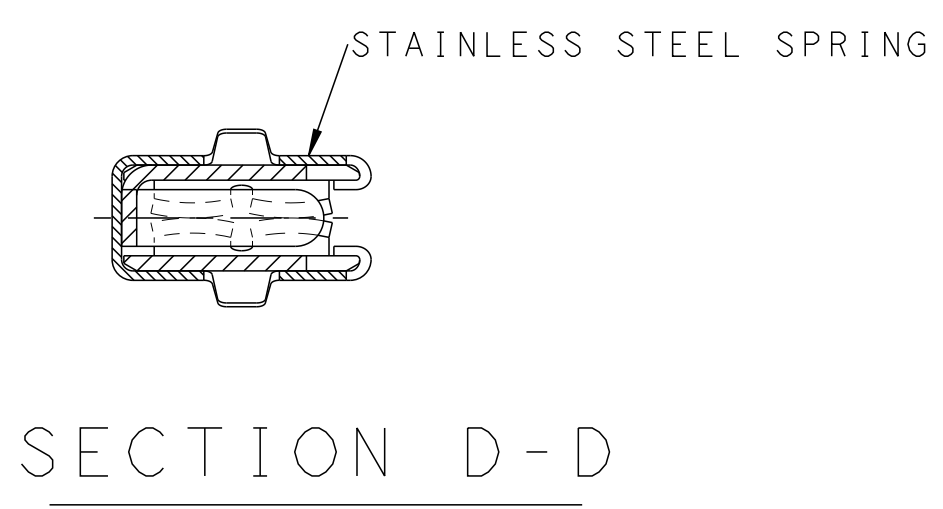
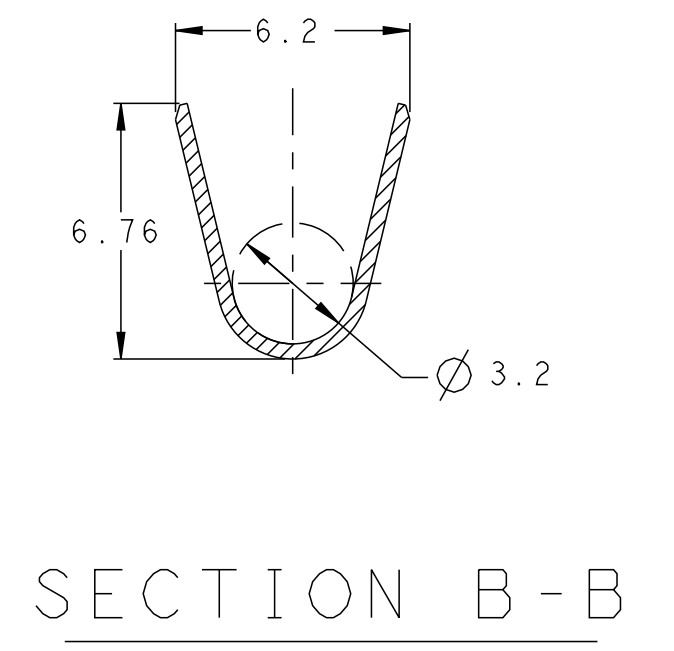
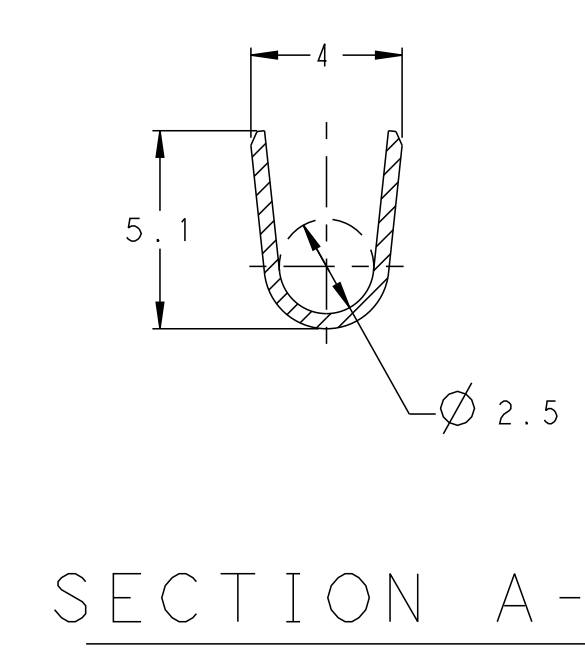
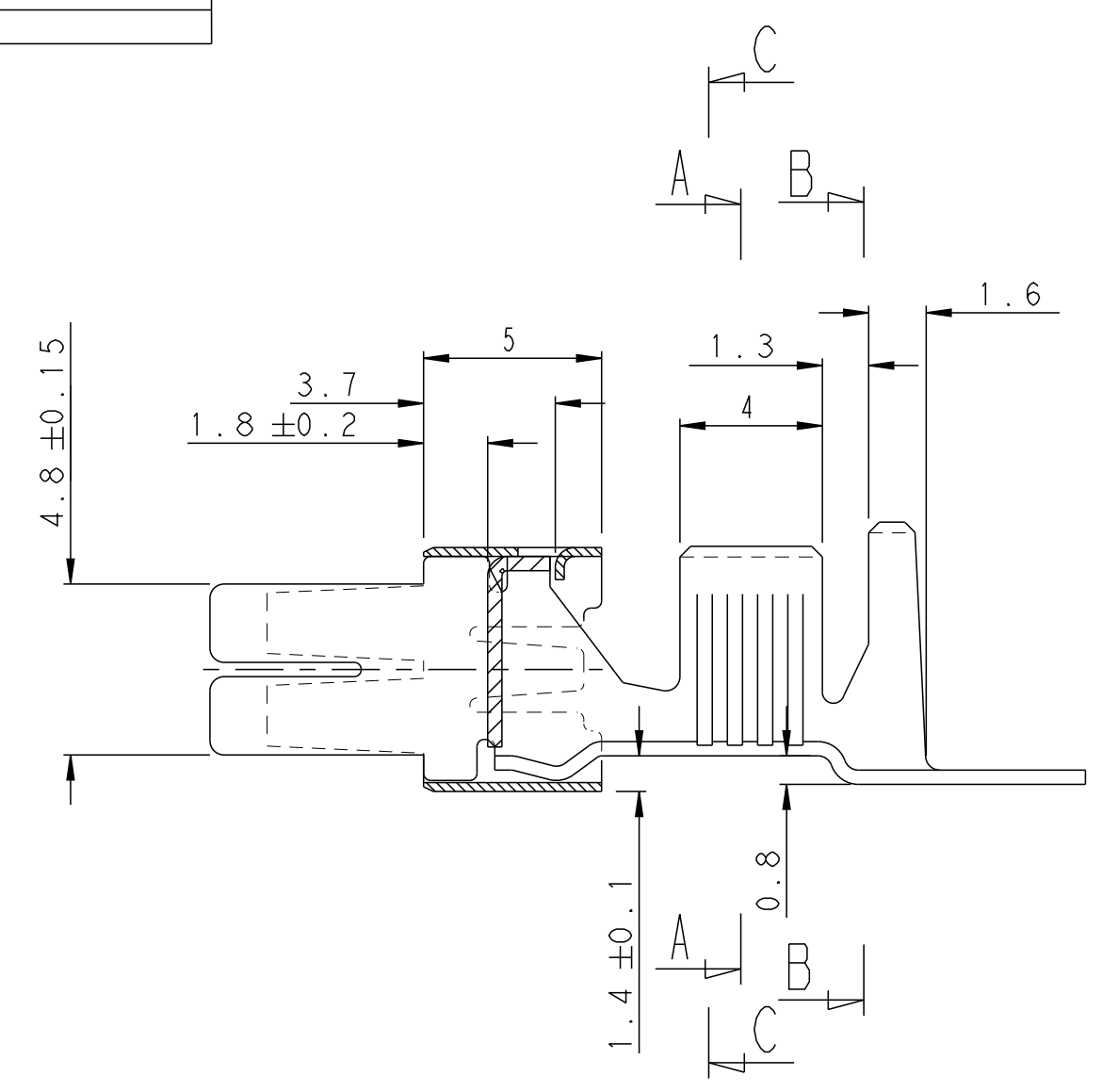
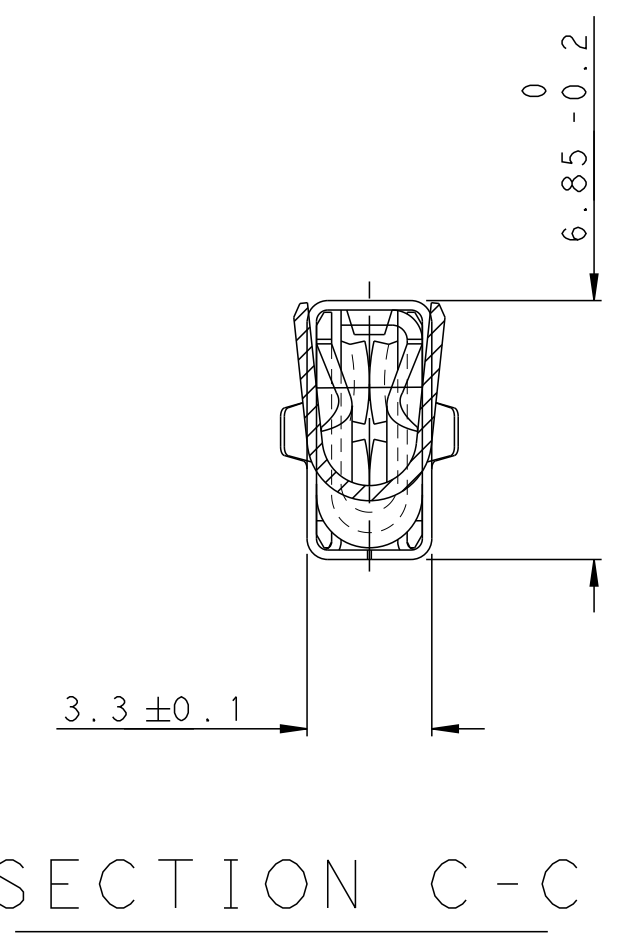


THIS DRAWING IS UNPUBLISHED. RELEASED FOR PUBLICATION 20
 © COPYRIGHT 20 BY - ALL RIGHTS RESERVED.

LOC		DIST		REVISIONS			
P	LTR	DESCRIPTION		DATE	DWN	APVD	
-	-	A	NEW DRAWING	13AUG2014	MN	JC	



THIS DRAWING IS A CONTROLLED DOCUMENT.		DWN 13AUG2014 MADHUSUDHAN N	TIN PLATED	CuSn4	144433-1	B
DIMENSIONS: mm		CHK 13AUG2014 J. CARRETERO	FINISH	MATERIAL	PART NO	REVISION
TOLERANCES UNLESS OTHERWISE SPECIFIED:		APVD 13AUG2014 R. SOLE	TE Connectivity CONTACT STANDARD POWER TIMER			
0 P.L.C. ± 1 P.L.C. ± 2 P.L.C. ±0.2 3 P.L.C. ± 4 P.L.C. ±		PRODUCT SPEC 108-15122				
MATERIAL		APPLICATION SPEC 114-15057	SIZE A2	CAGE CODE 00779	DRAWING NO C-144433	RESTRICTED TO -
-		WEIGHT 0.9g	SCALE 5	SHEET 1 OF 1	REV A	
-		CUSTOMER DRAWING				