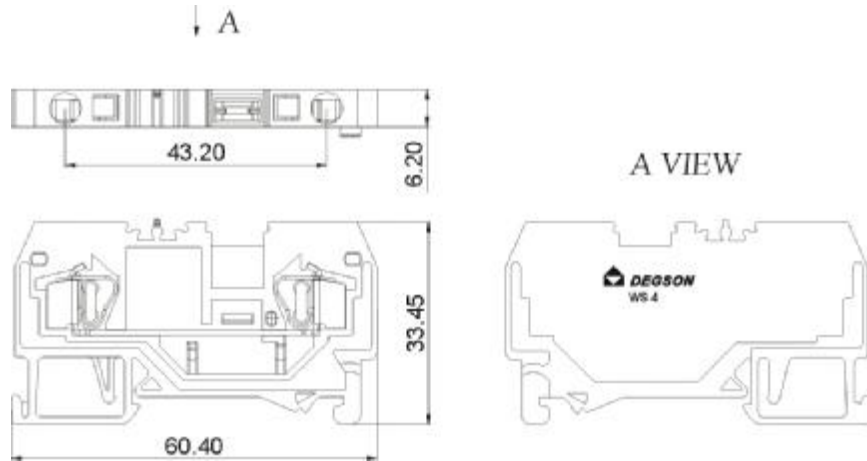
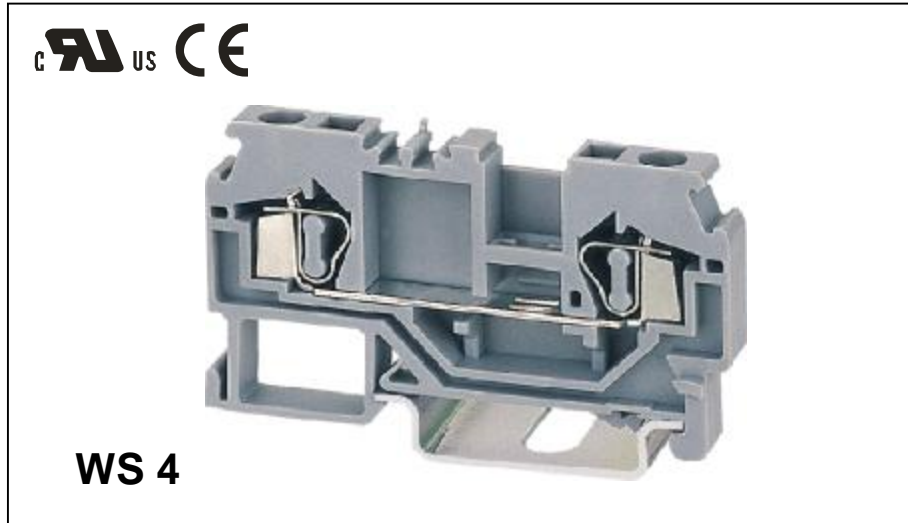




DEGSON ELECTRONICS CO., LTD.

Product Specification



Approval	UL US	CE
Electrical	UL	IEC
Standard	600V	800V
Rated voltage	20A	32A
Rated current	Wire size	0.2-4.0mm ²
Wire size	28-12AWG	
T/W/End plate		6/59/2.5mm
Height(NS35:7.5/NS35:15)		36.5/44mm
Rated surge voltage/contamination class		8KV/3
Stripping length		10mm
Insulating material/Inflammability class		PAV-0

Specification	Model	Pieces
(1) Terminal block	WS 4	50
(2) Cover	D-WS 4	100
(3) Adjacent jumper	WFA-4	200
(4) Alternate jumper	WFB-4	100
(5) Staggered jumper	1-2WFC-4/2 1-5WFC-4/5 1-3WFC-4/3 1-6WFC-4/6 1-4 1-8 1-4WFC-4/4	100 50 100 50 100
(6) Insulation stop	TTA-4	200
(8) Test plug adapter	EEA-4	100
(9) Test plug	SSA	100
(9) Zack strip	SSB	50
	DEK6	

HOW TO ORDER :

- **P** - -

X	X	X
---	---	---

Series No. No. of pole Color

1 Gray	4 Green	7 Transp-arent
2 Blue	5 Orange	8 Yellow
3 Black	6 Red	9 white

 mm (INCH)	 DEGSON ELECTRONICS CO., LTD.
 THROANGLE PROJECTION	NAME WS 4