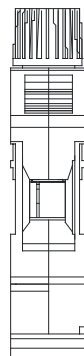
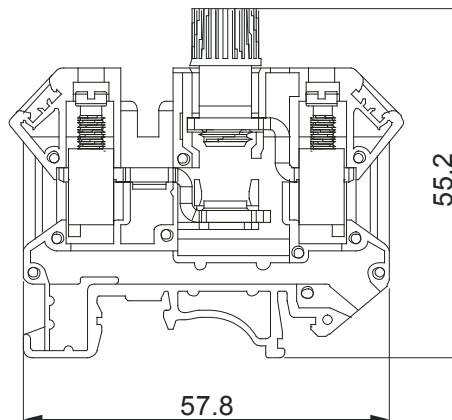
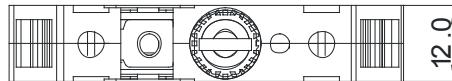
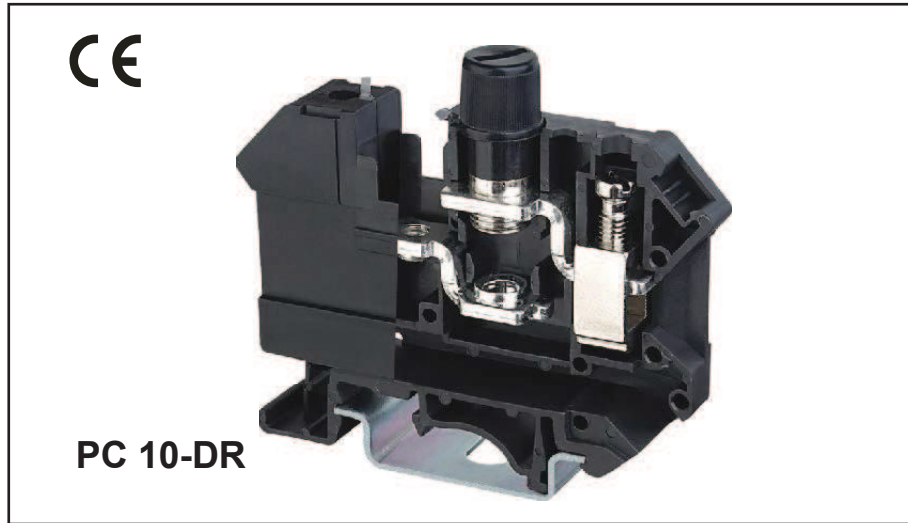









DEGSON ELECTRONICS CO., LTD.

Product Specification



Approval	CE	
Electrical		
Standard	UL	IEC
Rated voltage	600V	800V
Rated current	10A	10A
Wire size	20-6AWG	0.5-16mm ²
T/W/End plate	12/62/-mm	
Height(NS35:7.5/NS35:15/NS32)	59/66.5/64mm	
Rated surge voltage/Contamination class	4KV/3	
Stripping length	11mm	
Screw thread/Tightening torque	M4/1.2N.m/10.5Lb-in	
Internal cylindrical gage	B6	
Insulating material/Inflammability class	PA/V-0	

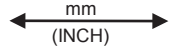

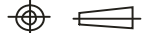
Specification	Model	Pieces
(1) Fuse terminal block	PC 10-DR(5X20mm)	50
(2) Fixed bridge 	FBI 10-12	100
(3) Insertion bridge 	EB 10-12	50
(4) Test plug socket 	DSB 4/7/6	100
(5) Test plug socket, insulated 	DSBJ 4/15/6	
(6) Zack strip 	ZB8	200

HOW TO ORDER :

 - **P** - 1 - XXX
Series No. No. of pole Color

1	Gray	4	Green	7	Trans-arent
2	Blue	5	Orange	8	Yellow
3	Black	6	Red	9	white

Customer Request

 mm (INCH)	 DEGSON ELECTRONICS CO., LTD.
 THIROANGLE PROJECTION	NAME PC 10-DR