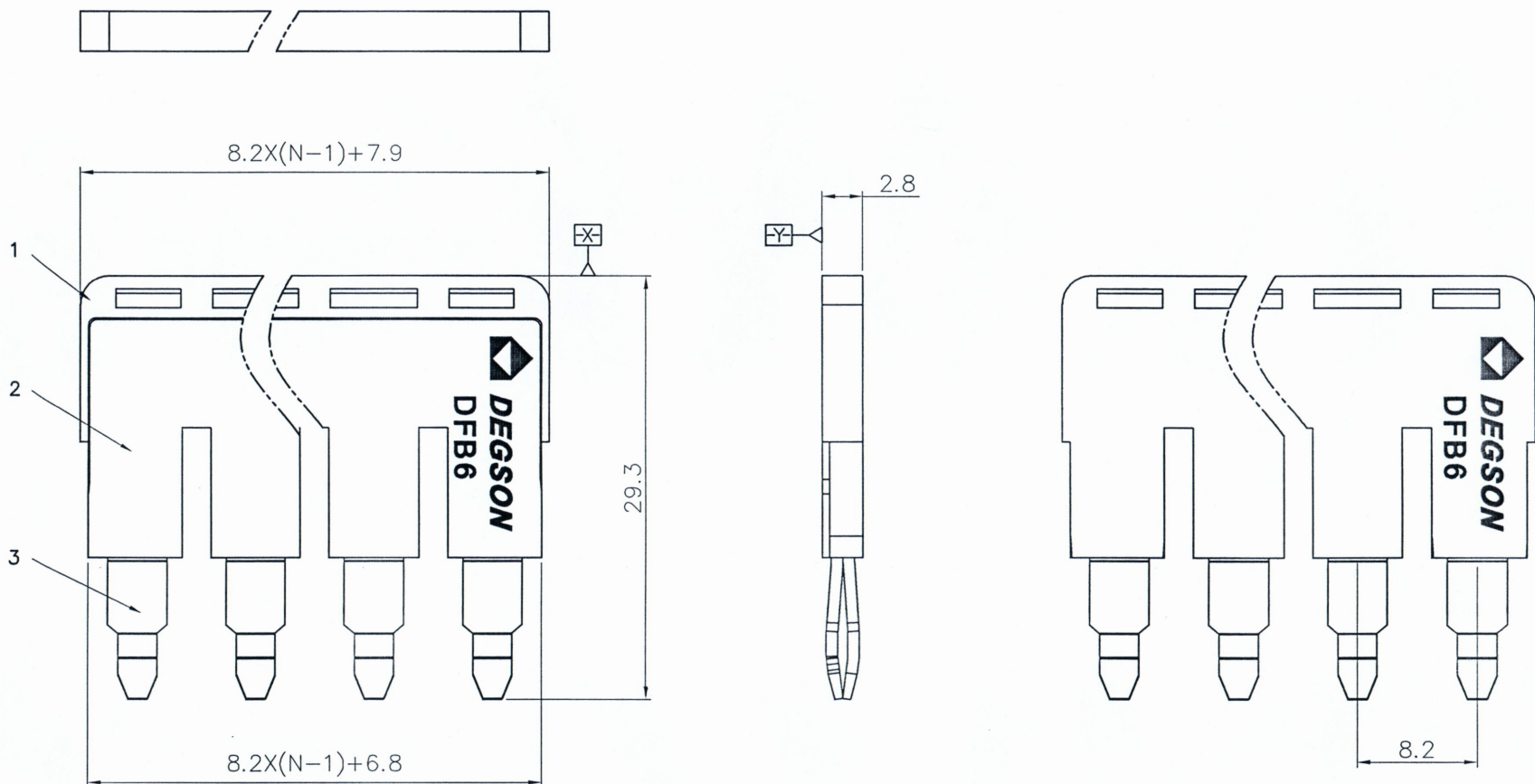


REVISION RECORD				
REV	ECN	DESCRIPTION	DRFT	DATE



- NOTES2:
- 1.Dimension shall be interpreted per ASME Y14.5-2009
 - 2.Pitch : 8.2mm, Poles : N=02;03;10P
 - 3.Operating temperature: -40°C~+105°C
 - 4.Undimensioned Tolerances:

Pitch Range In mm		Nominal Dimension Range In mm						0.1/10
TO	Over TO	Over TO	Over TO	Over TO	Over TO	Over TO		
6	6 TO 10	10 TO 24	30 TO 30	60 TO 60	100 TO 100	150 TO 150	<	
	±0.15	±0.20	±0.30	±0.30	±0.50	±0.70	±1.00	
					±1.30		±2'	

5.RoHS Compliance

仅供参考图
 签字: 文...
 日期: 2016.7.11

ITEM	NAME OF PART	Q"TY	MATERIAL	NOTES
3	DFB6-00A Current Carrier	2	COPPER	Sn plated
2	DFB6-00A Cover	1	PA66	UL94V-0
1	DFB6-00A Housing	1	PA66	UL94V-0

DETACHED LISTS	PART NO.: /	宁波高松电子有限公司 NINGBO DEGSON ELECTRICAL CO., LTD		
	APPD: <i>Algm 07/13/16"</i>	NAME: DFB6-XXP-1Y-00A(H)		
	CHKD: <i>Baron 2016.7.11</i>	TITLE: CUSTOMER DRAWING		
	DRFT: <i>ding 04/13/16"</i>	REV	DO-1	
	THIRD ANGLE PROJECTION	DRAWING NO.: DFB6-C01	SHEET	1/1
	MM (INCH)	DO NOT SCALE DRAWING	SCALE	1:1