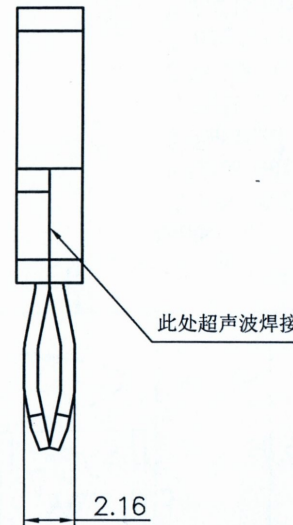
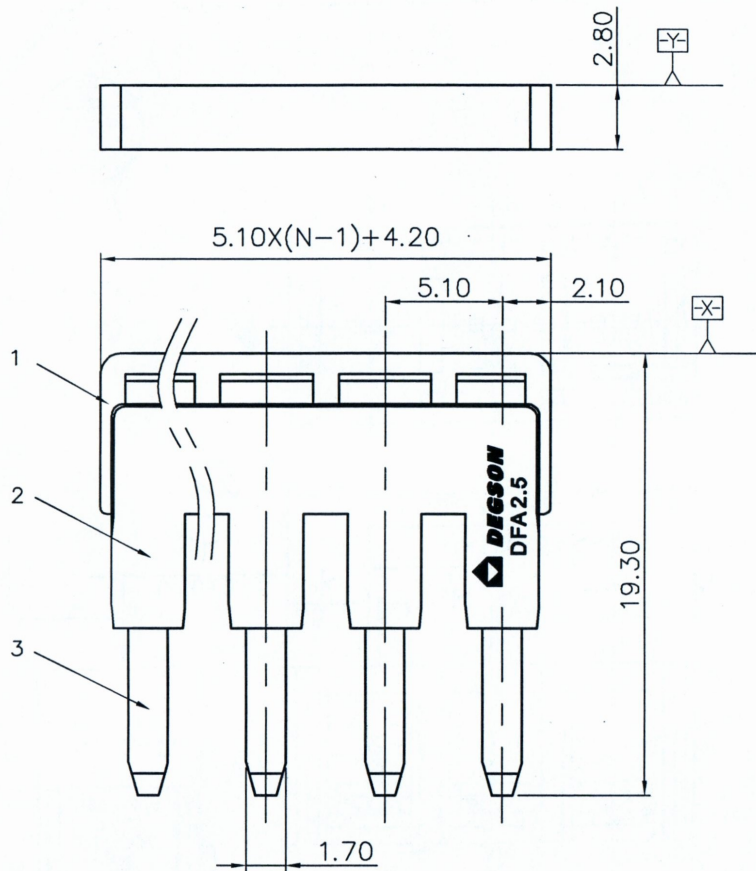


REVISION RECORD				
REV	ECN	DESCRIPTION	DRFT	DATE



NOTES1:

- 1.Dimension shall be interpreted per ASME Y14.5-2009
- 2.Pitch : 5.1mm, Poles : N=02~10P
- 3.Operating temperature: -40°C~+105°C
- 4.Undimensioned Tolerances:

Pitch Range In mm		Nominal Dimension Range In mm				∩	∩	∩
TO	Over	TO	Over	TO	Over	TO	Over	TO
6	10	6	10	30	60	100	150	0.1/10
±0.15	±0.20	±0.30	±0.30	±0.50	±0.70	±1.00	±1.30	±2'

5.RoHS Compliance

仅供参考图
 签字: 董贵平
 日期: 2016.09.21

ITEM	NAME OF PART	MATERIAL	NOTES
3	Bridgware	COPPER	Sn plated
2	Cover	PA66	UL94V-0
1	Housing	PA66	UL94V-0

DETACHED LISTS	PART NO.: /	宁波高松电子有限公司 NINGBO DEGSON ELECTRICAL CO., LTD		
	APPD: Alan 09/20/16"	NAME: DFA2.5-XXP-1Y-00A(H)		
	CHKD:	TITLE: CUSTOMER DRAWING		
	DRFT: ding 03/07/16"	DRAWING NO.: DFA2.5-C01	REV	TO-1
THIRD ANGLE PROJECTION		DO NOT SCALE DRAWING	SHEET	1/1
		SCALE	1:1	