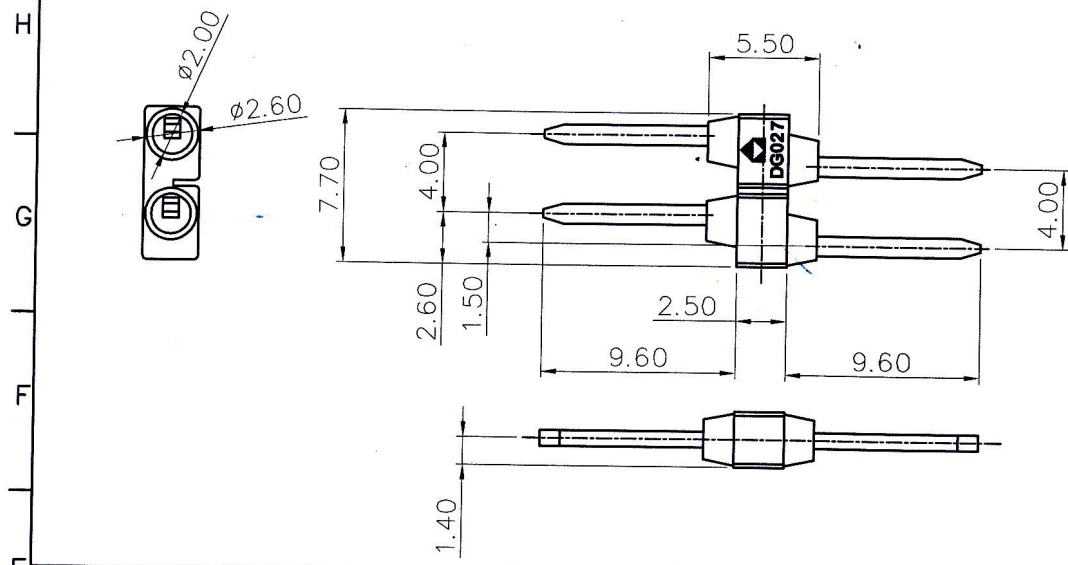
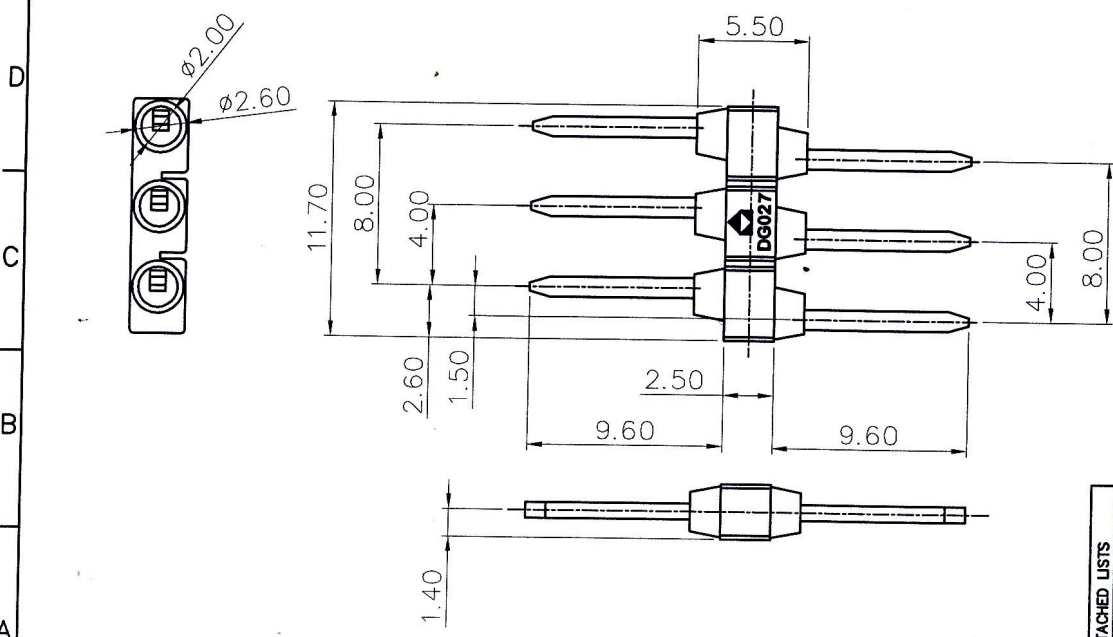
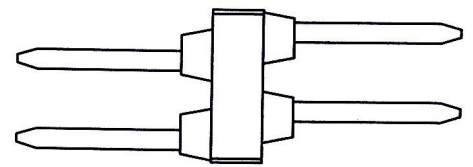
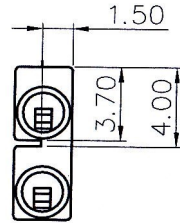
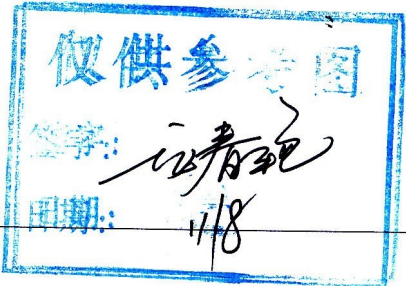


D1RFRD006

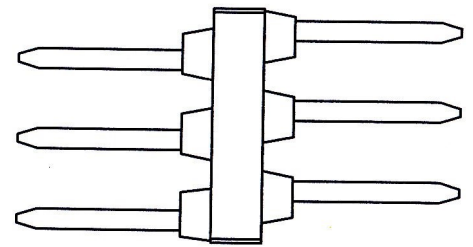
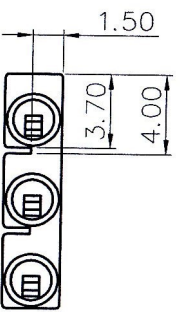
REVISION RECORD				
REV	ECN	DESCRIPTION	DRFT	DATE



02P



03P



DETACHED LISTS	MM (INCH)		MATERIAL:		宁波高正电子有限公司 DEGSON® DEGSON ELECTRONICS CO., LTD	
	TOLERANCES EXCEPT AS NOTED		FINISH:			
	.X ±	.X" ±	PART NO.:		NAME:	
	.XX ±	.XX" ±	APPD: Alan 11/08/14		TITLE: ASSEMBLY DRAWING	
	.XXX ±	.XXX" ±			DRAWING NO.: DG027-E01	
ANGLES ± 1°		CHKD: 11/8/14 Alan		REV	T0-1	
		DRFT: XLM 09/11/14		DO NOT SCALE DRAWING	SCALE N/A	
				SHEET	2/2	