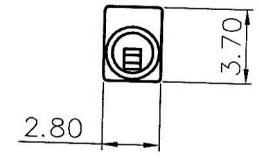
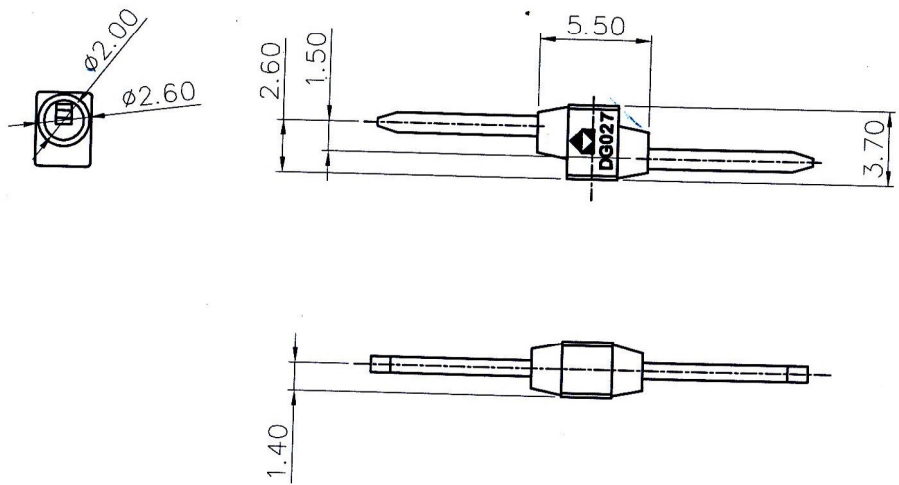
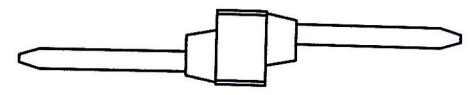


REVISION RECORD				
REV	ECN	DESCRIPTION	DRFT	DATE



01P



- NOTES:
- 1.DIMENSION SHALL BE INTERPRETED PER ASME Y14.5-2009.
  - 2.PITCH: 4.0MM ,POLES: N=1~3P
  - 3.RATED VOLTAGE/CURRENT:  
UL1977 600V/9A(01P)、250V/9A(02P/03P)  
IEC 160V/9A
  - 4.OPERATION TEMPERATURES: -40℃~+105℃
  - 5.RATED IMPULSE VOLTAGE: 2.2KV/MIN
  - 6.INSULATION RESISTANCE: 5000MΩ/DC1000V
  - 7.UNDIMENSIONED TOLERANCES:

仅供参考图  
签字: [Signature]  
11/8

PITCH RANGE IN MM			NOMINAL DIMENSION RANGE IN MM					I
TO	OVER TO	OVER TO	TO	OVER TO	OVER TO	OVER TO	C	
6	10	24	30	30	60	100		150
±0.10	±0.15	±0.25	±0.20	±0.30	±0.50	±0.70	±1.00	0.05/10

1	DG027-4.0-TERMINAL	3097B00010(H)	XX	COPPER	SN PLATED
ITEM	NAME OF PART	NO. OF PART	Q"TY	MATERIAL	NOTES
MATERIAL:		宁波高正电子有限公司			
FINISH:		DEGSON® DEGSON ELECTRONICS CO., LTD			
PART NO.:		NAME: DG027-4.0-XXP-11-00A(H)			
ANGLES ± 1'		APPD: [Signature] 11/08/14"		TITLE: ASSEMBLY DRAWING	
THIRD ANGLE PROJECTION		CHKD: [Signature] 11/8/14"		DRAWING NO.: DG027-E01	
DRFT: XLM 09/11/14"		DO NOT SCALE DRAWING		SCALE	N/A
		SHEET		1/2	