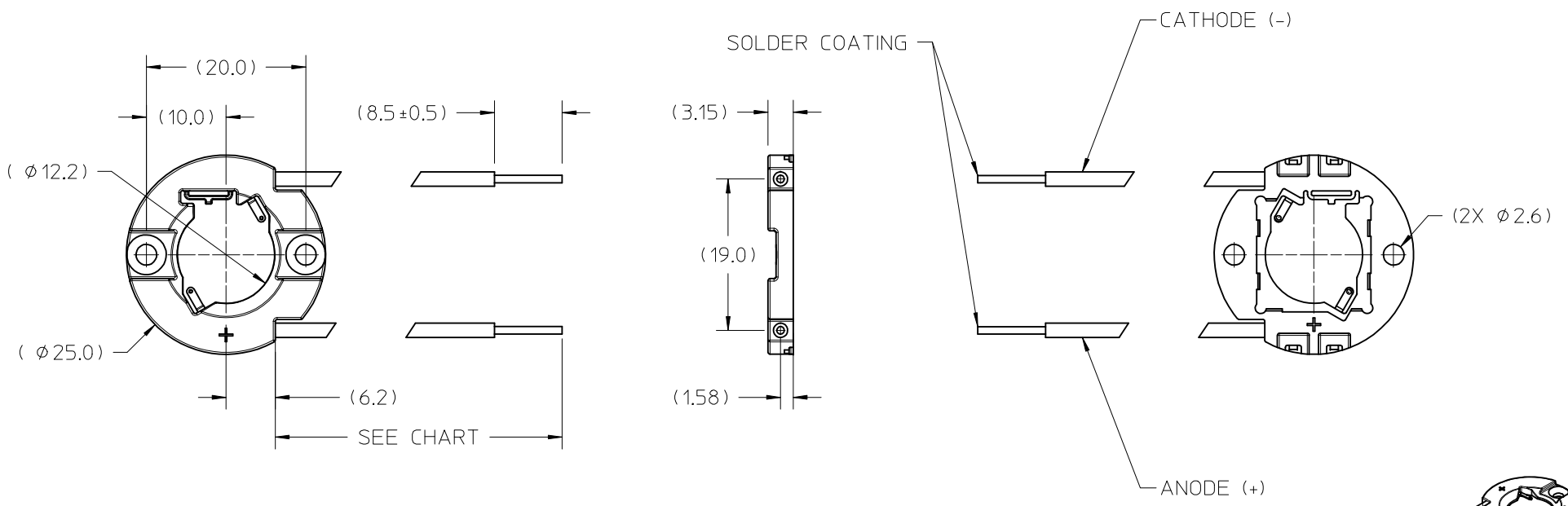
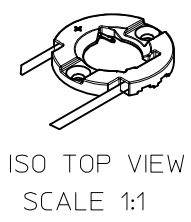


PART NUMBER	DESCRIPTION	ANODE (+) WIRE COLOR	CATHODE (-) WIRE COLOR	WIRE LENGTH
180555-0001	HOLDER ASSEMBLY W/O TUBING	WHITE	YELLOW	110±5
180555-0002	HOLDER ASSEMBLY W/O TUBING	RED	BLACK	254±5



- NOTES:
1. MATERIALS: HOUSING: GLASS FILLED POLYESTER (PBT), COLOR: WHITE, UL94V-0; TERMINAL: COPPER ALLOY WIRE: UL AWM STYLE 3266, 125°C RATED TEMPERATURE, INSULATION: XL-PE, CONDUCTOR: 20 AWG TIN FUSED STRANDED COPPER.
 2. FINISHES: TERMINAL CONTACT: GOLD OVER NICKEL
 3. ALL DIMENSIONS IN PARENTHESES (XX.XX) ARE FOR REFERENCE ONLY
 4. MOUNT HOLDER USING M2.5 SCREWS (2), 0.1 NEWTON METERS MIN; 0.2 NEWTON METERS MAX TORQUE
 5. THIS PRODUCT IS ELV AND ROHS COMPLIANT



ENTER DESCRIPTION EC NO: SSL2015-0022 DRAWN BY: MCOLE CHKD: DMCGOWAN APPR: DMCGOWAN A1	DESCRIPTION 2014/09/04 2014/09/11	QUALITY SYMBOLS	GENERAL TOLERANCES (UNLESS SPECIFIED)	DIMENSION STYLE	SCALE	DESIGN UNITS	THIRD ANGLE PROJECTION																		
		$\nabla F/0$ $\nabla F/0$ $\nabla F/0$	<table border="1"> <thead> <tr> <th></th> <th>mm</th> <th>INCH</th> </tr> </thead> <tbody> <tr> <td>4 PLACES</td> <td>± ---</td> <td>± ---</td> </tr> <tr> <td>3 PLACES</td> <td>± ---</td> <td>± ---</td> </tr> <tr> <td>2 PLACES</td> <td>± 0.13</td> <td>± ---</td> </tr> <tr> <td>1 PLACE</td> <td>± 0.25</td> <td>± ---</td> </tr> <tr> <td>0 PLACE</td> <td>± ---</td> <td>± ---</td> </tr> </tbody> </table>		mm	INCH	4 PLACES	± ---	± ---	3 PLACES	± ---	± ---	2 PLACES	± 0.13	± ---	1 PLACE	± 0.25	± ---	0 PLACE	± ---	± ---	MM ONLY	2:1	METRIC	
			mm	INCH																					
		4 PLACES	± ---	± ---																					
3 PLACES	± ---	± ---																							
2 PLACES	± 0.13	± ---																							
1 PLACE	± 0.25	± ---																							
0 PLACE	± ---	± ---																							
DRAFT WHERE APPLICABLE MUST REMAIN WITHIN DIMENSIONS	DRAWN BY: MCOLE DATE: 2013/09/23 CHECKED BY: GMEYER DATE: 2013/12/11 APPROVED BY: DMCGOWAN DATE: 2013/12/12	TITLE	COB LED HOLDER ASSEMBLY 13.35 MM X 13.35 MM																						
			MATERIAL NO.	DOCUMENT NO.	SHEET NO.																				
			SEE CHART	SD-180555-001	1 OF 1																				
THIS DRAWING CONTAINS INFORMATION THAT IS PROPRIETARY TO MOLEX INCORPORATED AND SHOULD NOT BE USED WITHOUT WRITTEN PERMISSION																									