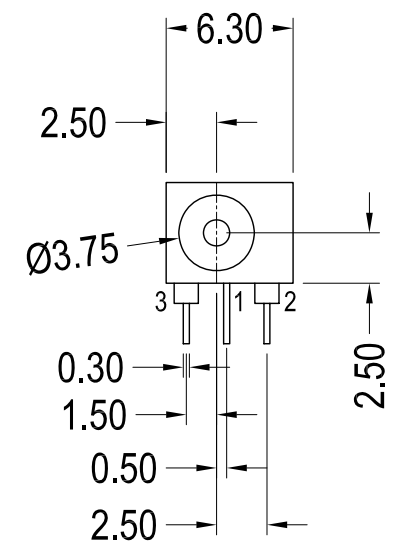
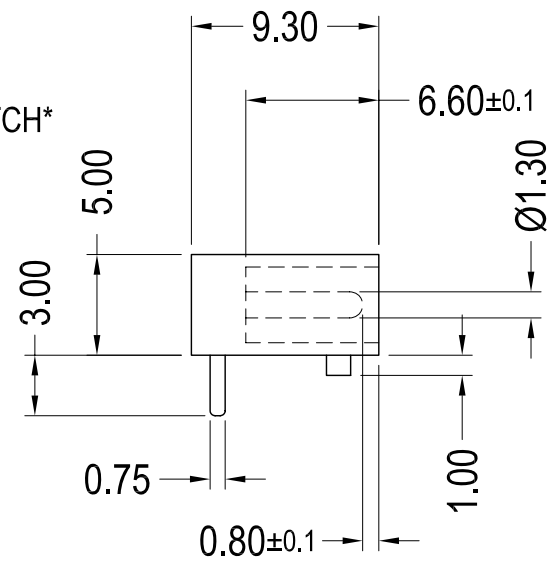
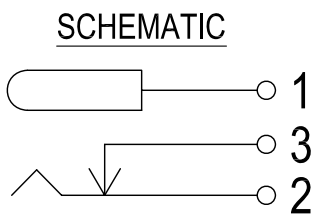
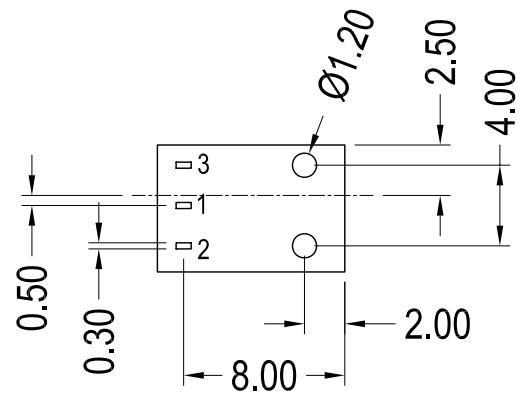
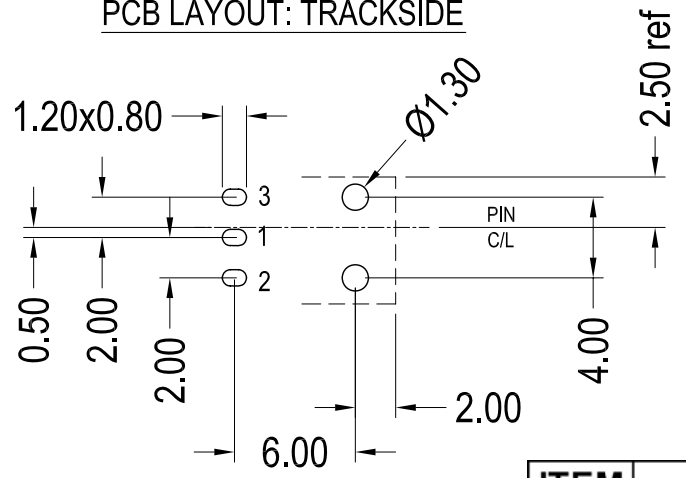


ISS.	AMEND	DATE
1	1st DRAWN	17/02/10

NOTE:
 THIS PART IS SIMILAR TO FC68145 - DC8
 BUT PIN ORIENTATION AND PCB LAYOUTS DO NOT MATCH



PCB LAYOUT: TRACKSIDE



SPECIFICATIONS

- a) CONTACT RESISTANCE: 30mΩ max
- b) INSULATION RESISTANCE: 100MΩ min @ DC 500V
- c) DIELECTRIC WITHSTANDING VOLTAGE: AC 500V for 1minute

ITEM	DESCRIPTION	QTY	MATERIAL	FINISH
1	Ø1.3 PIN	1	0.3T BRASS	SILVER PLATED
2	SLEEVE SPRING	1	0.3T BERYLLIUM	SILVER PLATED
3	PIN TERMINAL	1	0.3T BRASS	SILVER PLATED
4	HOUSING + COVER	1	PBT	BLACK

RoHS
COMPLIANT

TOLERANCE
 NO DEC. PLACE ±
 1 DEC. PLACE ±
 2 DEC. PLACE ±
 HOLE Ø ±
 ANGLES ±
 UNLESS OTHERWISE STATED

Cliff Electronic Components Ltd.
 76 Holmethorpe Avenue, Holmethorpe Industrial Estate,
 Redhill, Surrey, RH1 2PF, England, UK
 Tel: 01737-771375 Fax: 01737-766012 Website: www.cliffuk.co.uk

THE CONTENTS OF THIS DOCUMENT MUST NOT BE COPIED OR DISCLOSED TO A 3rd PARTY WITHOUT WRITTEN PERMISSION OF CLIFF UK. © 2010

DIMENSIONS IN MILLIMETERS UNLESS OTHERWISE STATED, WORK TO DIMENSIONS, REMOVE ALL BURRS, IF IN DOUBT ASK.

MATERIAL: SEE TABLE

FINISH: AS MOULDED / MICROFINISH

DRAWN: T.J.O. APPROVED: D.P.J.

3rd ANGLE PROJECTION:

TITLE: NARROW DC POWER SOCKET (1.3mm PIN)

DRWG. No. **FC681455** FORM: A4DRWGH