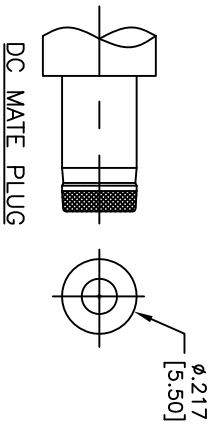
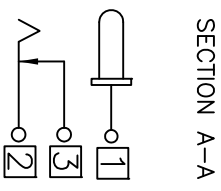
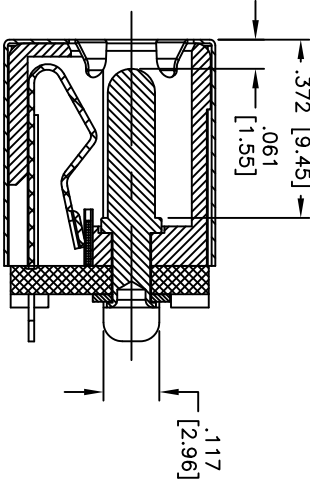
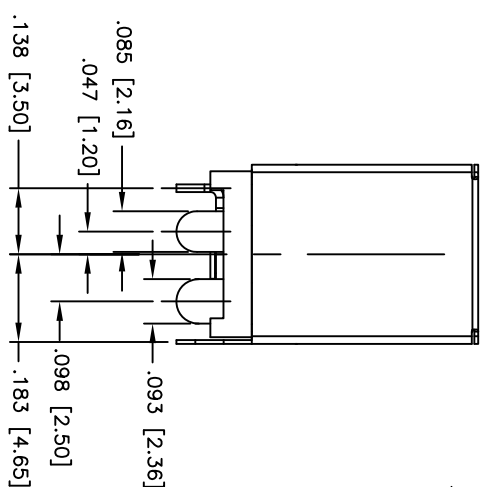
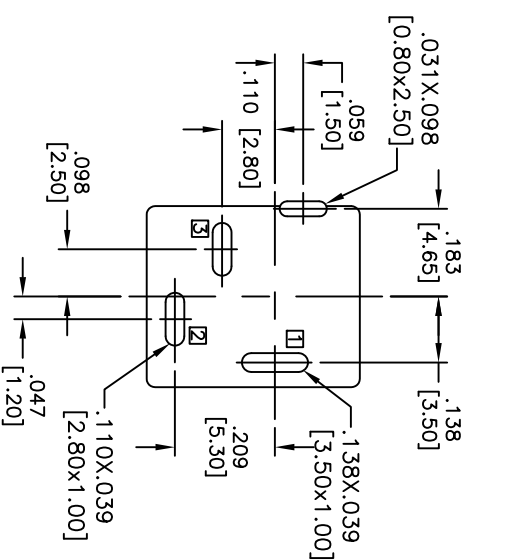
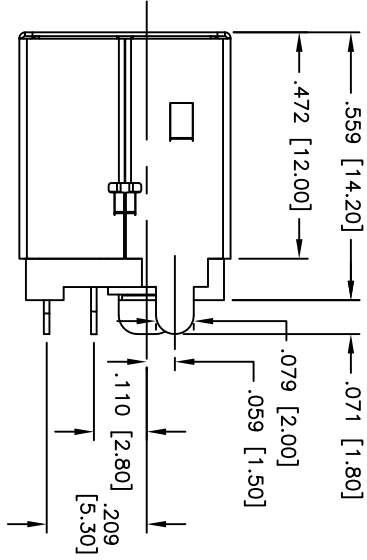
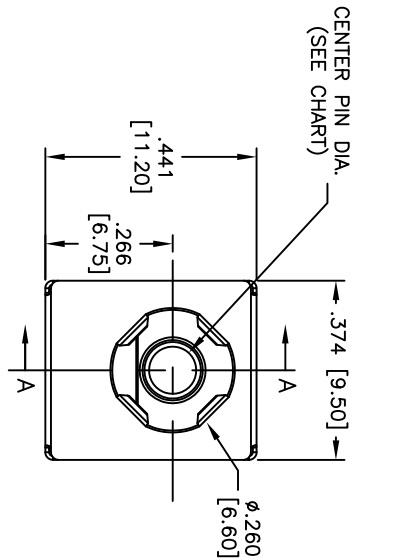


Rev	AWO #	Description	Date	Appr
-		RELEASED	5/14/10	

APPROVED: _____
 DATE: _____ TITLE: _____



PART NO.	CENTER PIN DIA.
ADC-085-1	Ø.079 [2.00]
ADC-085-2	Ø.098 [2.50]
ADC-085-9	Ø.065 [1.65]

SPECIFICATIONS:

Material: Insulator: PBT, Glass reinforced, rated UL 94V-0
 Insulator color: Black
 Center Pin: Brass, Nickel plated
 Contacts: Copper Alloy

Plating: Silver over Nickel underplate

Electrical: Operating voltage: 20 VDC max.
 Current rating: 2.5 Amp max.
 Contact resistance: 30 mohms max. initial
 Insulation resistance: 100 Mohms min.

Withstand voltage: 500 VAC
Temperature Rating: Operating temperature: -20°C to +70°C

Environmental: Lead free, RoHS compliant
 Recommended soldering temp: 235°C for 5 sec.

ADAM TECH

909 Rahway Avenue, Union, NJ 07083
 Phone: 908-687-5000 Fax: 908-687-5710

TITLE: DC POWER JACK, 2.00 mm, 2.50 mm, 1.65mm CENTER PIN

UNLESS OTHERWISE SPECIFIED ALL DIMENSIONS ARE INCHES [MM]			
.X	±.10	ØXX	±.10
.XX	±.020	ØXXX	±.015
.XXX	±.015	ØXXXX	±.010
APPROVALS		DATE	
DRAWN	DY	5/14/10	
CHECKED			
APPROVED			

SIZE	PART NO.	REV.
X	ADC-085-X	-
REF: S00020C	SCALE: NTS	SHEET 1 OF 1

