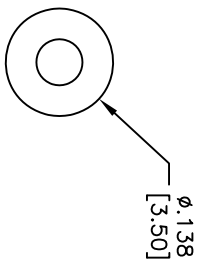
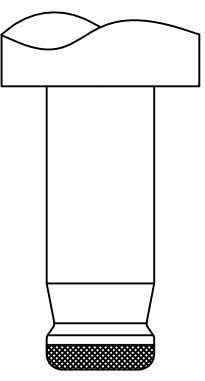
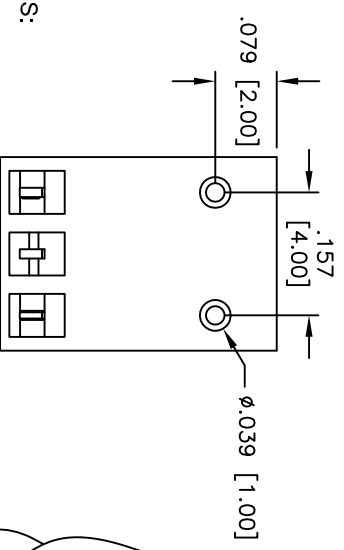
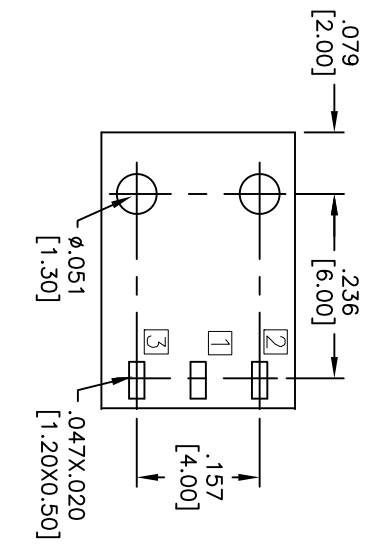
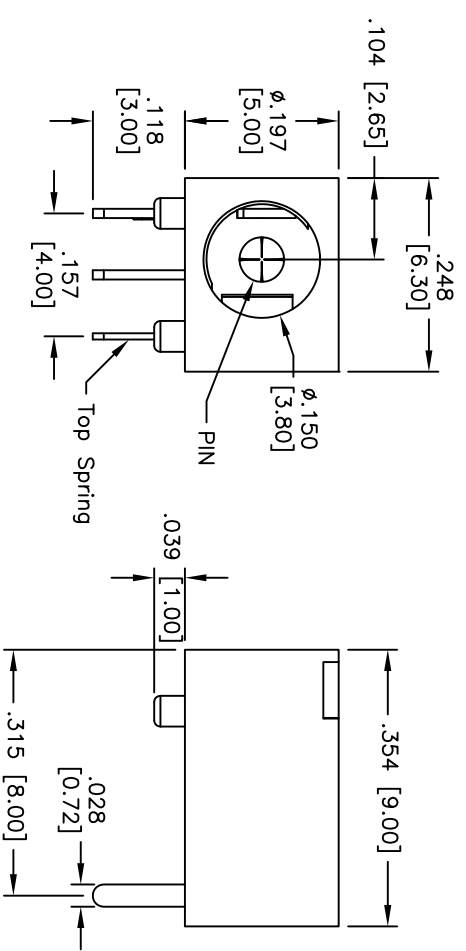


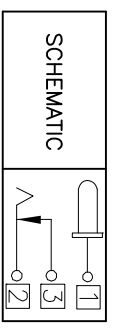
| Rev | AWO # | Description | Date | Appr |
|-----|-------|---------------|---------|------|
| - | | RELEASED | 9/25/08 | |
| A | | REDRAWN | 4/23/09 | |
| B | | REVISED SPEC. | 1/21/13 | |

APPROVED: _____ TITLE: _____
 DATE: _____



DC MATE PLUG

| PART NO. | CENTER PIN DIA. |
|--------------|-----------------|
| ADC-029-3-HT | .039 [1.00] |
| ADC-029-4-HT | .051 [1.30] |



SPECIFICATIONS:
 Material: Insulator: HI-temp thermoplastic, rated UL 94V-0
 Insulator color: Black
 Center Pin: Brass
 Shunt Terminal: Brass
 Top Spring: Stainless steel
 Plating: Silver over Nickel underplate
Electrical:
 Operating voltage: 20 VDC max.
 Current rating: 2 Amp max.
 Contact resistance: 50 mohms max.
 Insulation resistance: 100 Mohms min.
 Dielectric withstanding voltage: 500 VAC for 1 minute
 Temperature Rating: Operating temperature: -20°C to +70°C
Environmental:
 Lead free, RoHS compliant



| | |
|---|-------------|
| UNLESS OTHERWISE SPECIFIED ALL DIMENSIONS ARE INCHES [MM] TOLERANCES: EXCEPT AS NOTED INCHES | |
| X .X ± .10 | ØX ± .10 |
| .XX ± .020 | ØXX ± .015 |
| .XXX ± .015 | ØXXX ± .010 |
| APPROVALS | DATE |
| DRAWN DY | 9/25/08 |
| CHECKED | |
| APPROVED | |

ADAM TECH
 909 Railway Avenue, Union, NJ 07083
 Phone: 908-687-5000 Fax: 908-687-5710

| | |
|---|-----------------------|
| TITLE: DC POWER JACK, 1.00mm, 1.30mm CENTER PIN | |
| SIZE X | PART NO. ADC-029-X-HT |
| REF: S0002C | SCALE: NTS |
| | SHEET 1 OF 1 |