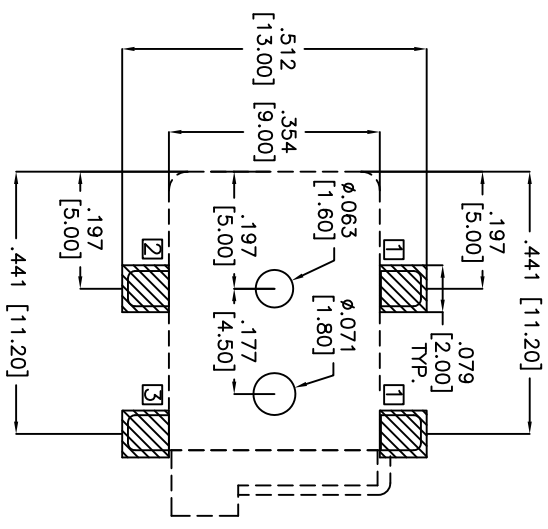
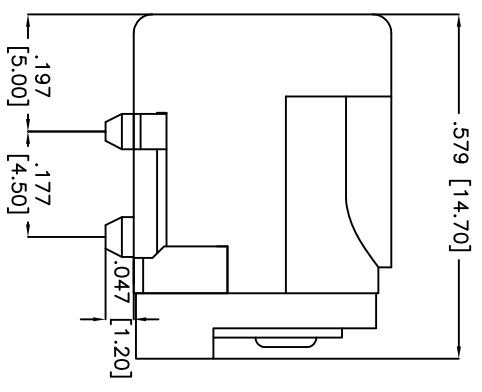
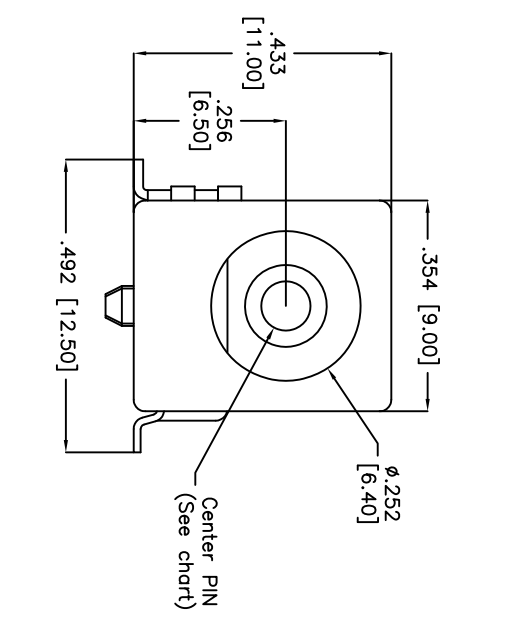
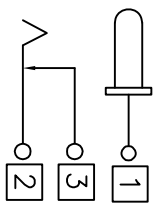


APPROVED: \_\_\_\_\_  
 DATE: \_\_\_\_\_ TITLE: \_\_\_\_\_

Rev	AWO #	Description	Date	Appr
-		RELEASED	8/05/09	
-		REVISED SPEC.	4/30/13	



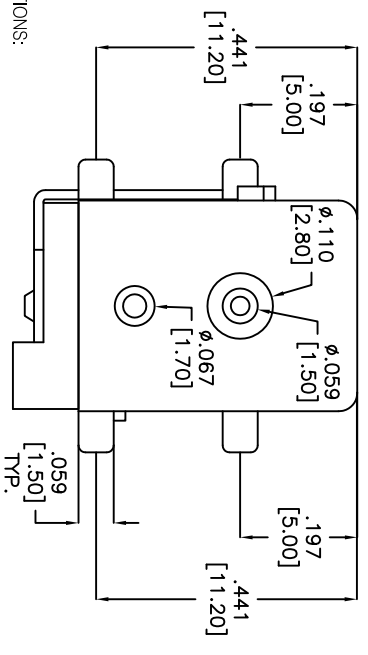
RECOMMENDED PCB LAYOUT  
 (Copper-sided view)



CIRCUIT DIAGRAM

PART NO.	CENTER PIN DIA.
ADC-028-1-T/R	$\phi .079 [2.00]$
ADC-028-2-T/R	$\phi .098 [2.50]$
ADC-028-5-T/R	$\phi .093 [2.35]$

PACKAGED ON TAPE & REEL



SPECIFICATIONS:

- Material: Insulator: Hi-Temp Thermoplastic, rated UL 94V-0
- Insulator color: Black
- Center Pin: Copper Alloy, Nickel plated
- Contacts: Copper Alloy
- Terminal: Brass
- Spring: Phosphor Bronze
- Plating: Tin over Copper underplate
- Electrical: Operating voltage: 20 VDC max.  
Current rating: 5 Amp max.  
Contact resistance: 30 mohms max. initial  
Insulation resistance: 100 Mohms min.  
Dielectric withstanding voltage: 500 VAC for 1 minute
- Temperature Rating: Operating temperature: -20°C to +70°C
- Environmental: Lead free, RoHS compliant



UNLESS OTHERWISE SPECIFIED ALL DIMENSIONS ARE IN INCHES [MM]	
TOLERANCES: EXCEPT AS NOTED	
INCHES	HOLES
.X ± .10	ØX ± .10
.XX ± .020	ØXXX ± .015
.XXX ± .015	ØXXX ± .010
APPROVALS	DATE
DRAWN	8/05/09
CHECKED	
APPROVED	

**ADAM TECH**  
 909 Railway Avenue, Union, NJ 07083  
 Phone: 908-687-5000 Fax: 908-687-5710

TITLE	DC POWER JACK, 2.00mm, 2.50mm, 2.35mm CENTER PIN
SIZE	PART NO.
X	ADC-028-X-T/R
REF: S00022C	SCALE: NTS
SHEET 1 OF 2	REV. A