

Appliance Inlet DC Filter, ECO Design, Front- or Rear Side Mounting

new



Screw-on mounting, front or back side  
PCB snap-in version  
MOLEX HCS-125 connector



Screw-on mounting, front or back side  
Quick connect terminals 6.3 x 0.8 mm  
AMP Universal MATE-N-LOK or MOLEX MLX



Snap-in mounting  
with wires (stranded)  
AMP Universal MATE-N-LOK or MOLEX MLX



### Description

- Panel Mount:
  - Screw-on version from front or rear side, snap-in version from front side, PCB Version from rear side
- 2 Functions:
  - Appliance Inlet, DC line filter in standard version
- Solder, quick connect or wires (stranded)

### Approvals

- VDE Certificate Number: 40020642
- UL File Number: E72928

### Characteristics

- Compact high-performance DC-filter
- Optimal shielding due to completely closed filter case, unpotted
- Applications:
  - Mission Critical Ethernet LAN Routers
  - High uptime Ethernet LAN Switches
  - Fiber Optic WAN Switches
  - Fiber Optic WAN Multiplexer

### Other versions on request

- Snap-in for panel thickness >2mm to 3mm
- flexible wire with various lengths
- Quick connect terminals 4.8 x 0.8 mm
- Capacity CY 5.5 nF
- with long earth pin in connector

### References

PCB Mounting  
Alternative: version 5120 for AC applications

### Weblinks

[pdf](#), [html](#), [General Product Information](#), [Approvals](#), [RoHS](#), [CHINA-RoHS](#), [Mating Connectors](#), [e-Store](#), [SCHURTER-Stock-Check](#), [Distributor-Stock-Check](#), [Accessories](#)

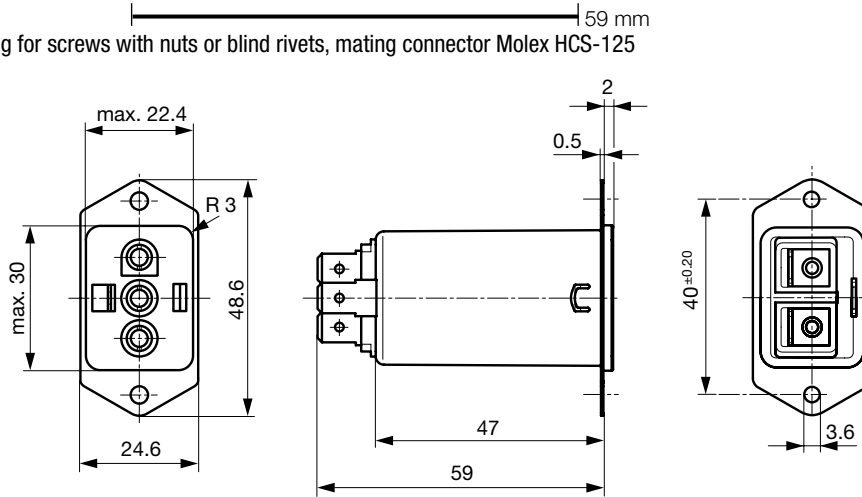
### Technical Data

Ratings IEC	15 A / 125VDC
Ratings UL/CSA	3 - 15A @ Ta 40 °C / 125VDC
Dielectric Strength	> 0.5kVDC between live parts of differential potentials > 1.1kVDC between protective conductor and live parts Test voltage (2 sec)
Allowable Operation Temp.	-25°C to 85°C
Climatic Category	25/085/21 acc. to IEC 60068-1
Protection Class	Suitable for appliances with protection class 1
Terminal	Quick connect terminals 6.3 x 0.8 mm Litze AWG 18 (15A AWG 16), 150 mm
Panel Thickness s	Screw: max 8 mm Mounting screw torque max 0.5Nm Snap-in: 0.8mm to 2 mm (all steps with one variant)
Material: Housing	Themoplast / steel tin-plated, black / metallic, UL 94V-0

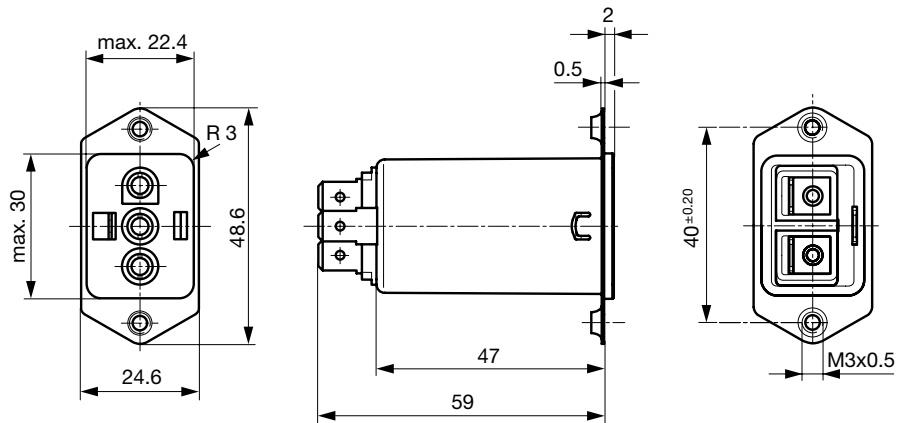
Line Filter	DC Standard Version, UL 1283 <a href="#">Technical details</a>
MTBF	> 3'900'000 h acc. to MIL-HB-217 F

### Dimensions

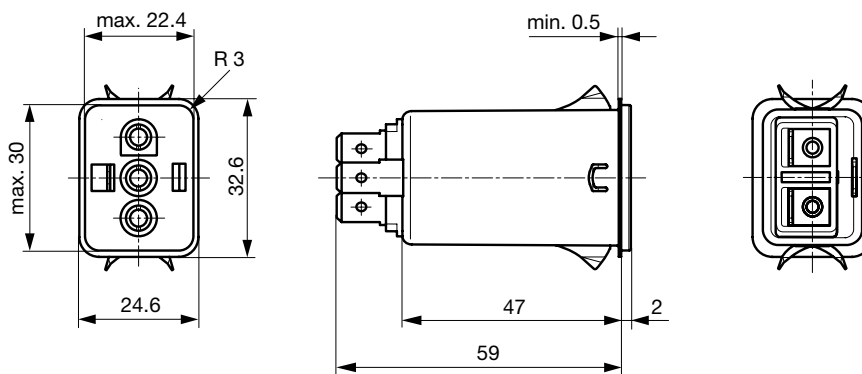
Front- or rear side mounting for screws with nuts or blind rivets, mating connector Molex HCS-125



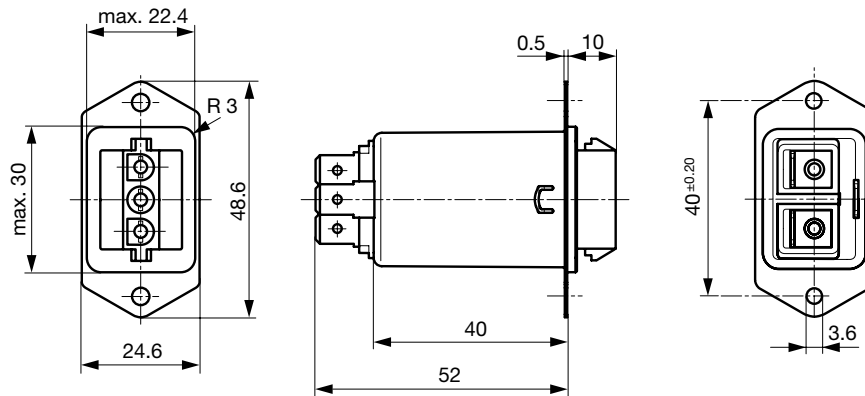
Rear side mounting with pre-formed, threaded holes for M3 screws, mating connector Molex HCS-125



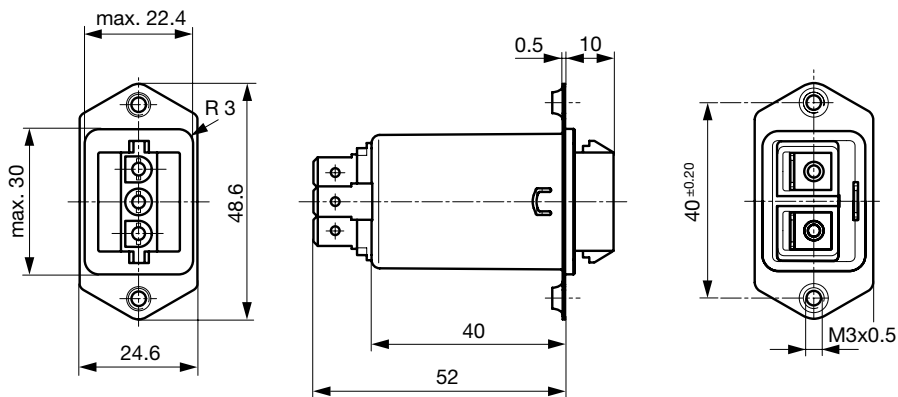
Snap-in mounting from front side, mating connector Molex HCS-125



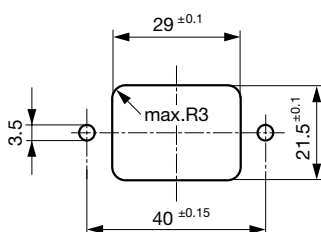
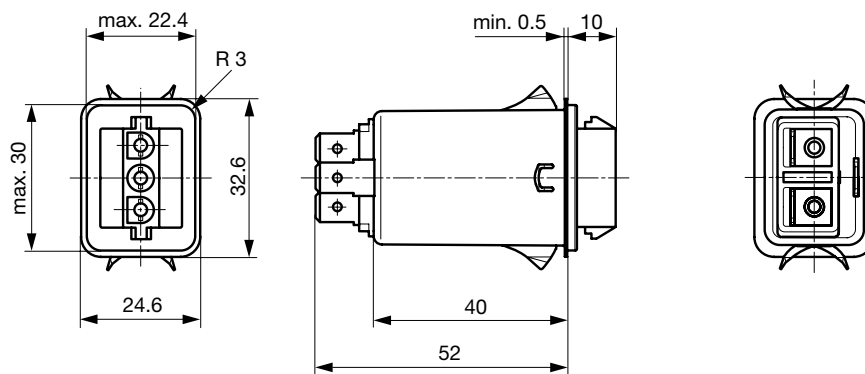
Front or rear side mounting for screws with nuts or blind rivets, mating connector AMP Universal MATE-N-LOK oder Molex MLX



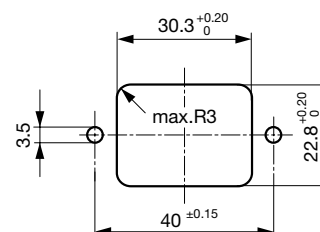
Rear side mounting with pre-formed, threaded holes for M3 screws, mating connector AMP Universal MATE-N-LOK oder Molex MLX



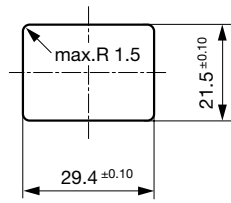
Snap-in mounting from front side, mating connector AMP Universal MATE-N-LOK oder Molex MLX



Panel cutout for front side mounting

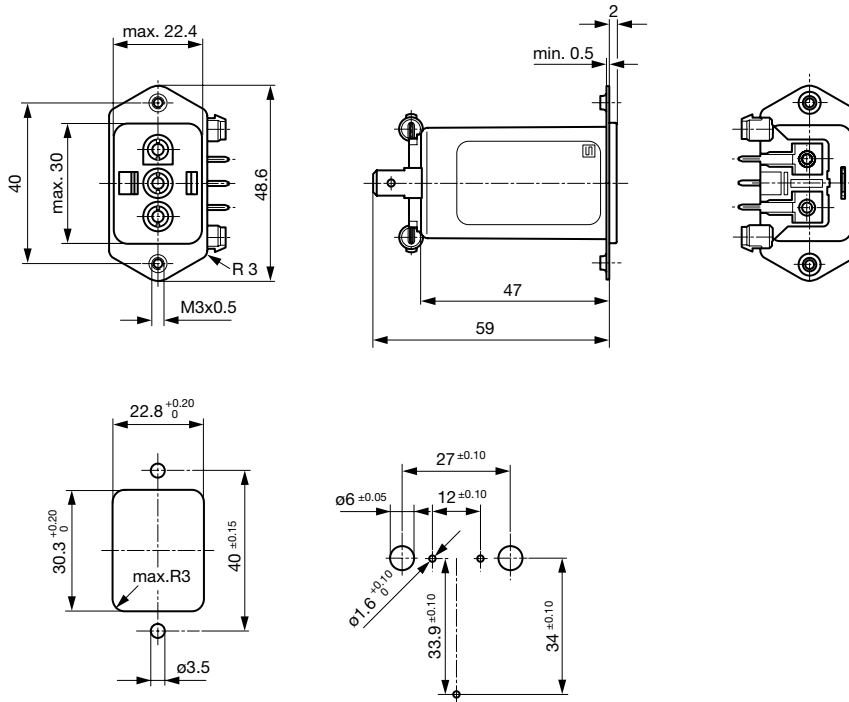


Panel cutout for rear side mounting

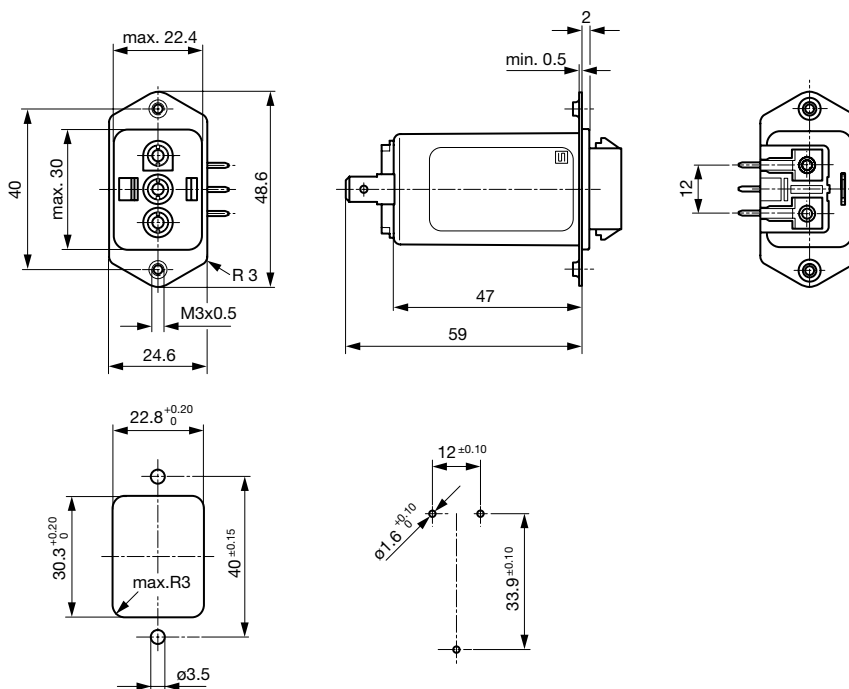


Panel cutout for snap-in mounting

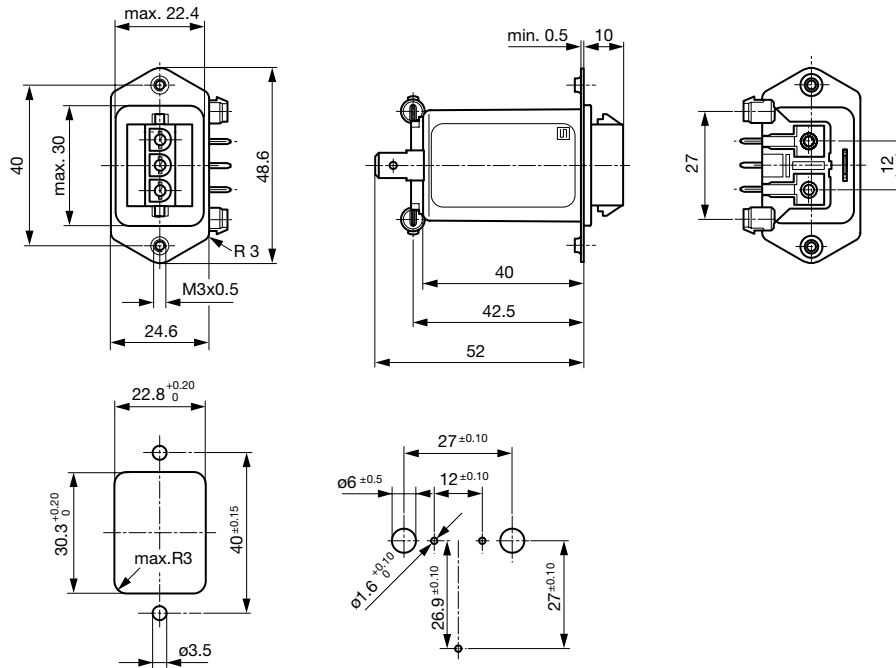
PCB snap-in rear-side mounting with pre-formed threaded holes for M3 screws, mating connector Molex HCS-125



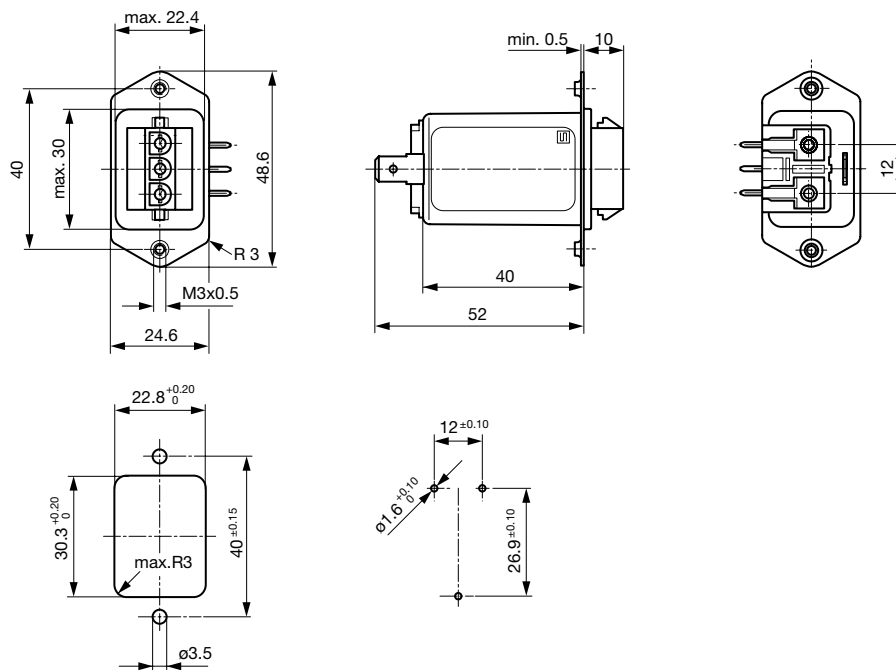
PCB rear-side mounting with pre-formed threaded holes for M3 screws, mating connector Molex HCS-125



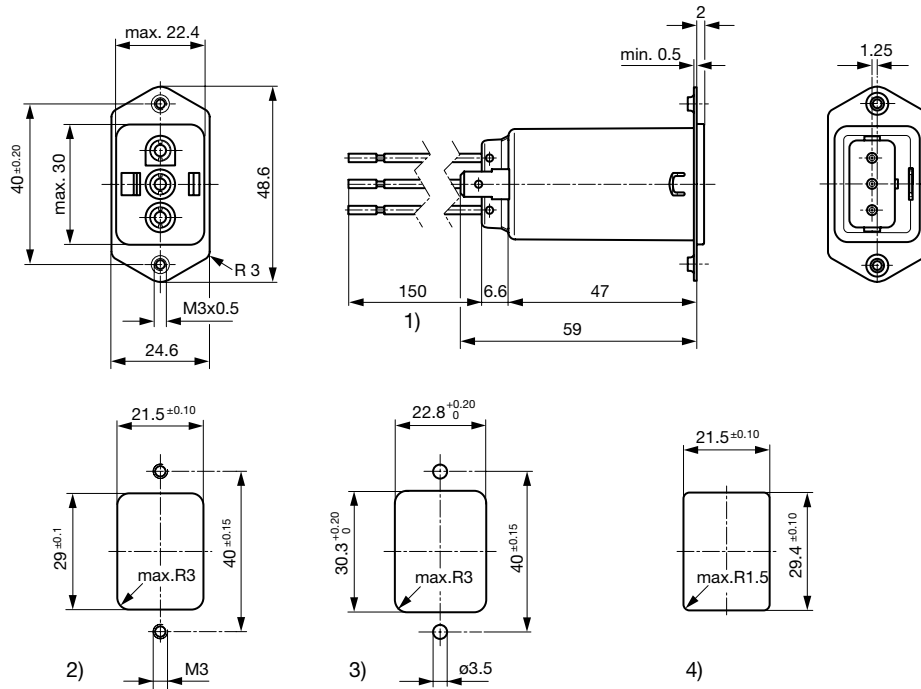
PCB snap-in rear-side mounting with pre-formed threaded holes for M3 screws, mating connector AMP Universal MATE-N-LOK or MOLEX MLX



PCB rear-side mounting with pre-formed threaded holes for M3 screws, mating connector AMP Universal MATE-N-LOK or Molex MLX



Screw and snap-in mounting with flexible wire, mating connector Molex HCS-125 or AMP Universal MATE-N-LOK



- 1) Flexible wire, standard length 150 mm or special length on request
- 2) Panel cut-out screw-on version, front-side mounting
- 3) Panel cut-out, screw-on version, back-side mounting
- 4) Panel cut-out snap-in version, front-side mounting

**Mating Connector**



Molex HCS-125  
 Housing: Molex no. 03-12-1036  
 Female terminal (3 needed per housing): Molex no. 18-12-1222

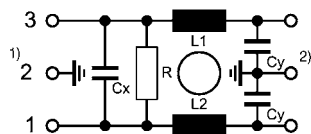


AMP Universal MATE-N-LOK  
 Housing: AMP no. 1-480700-0  
 Female terminal (3 needed per housing): AMP no. 926901-1  
 Molex MLX  
 Housing: Molex no. 50-84-1030  
 Female terminal (3 needed per housing): Molex no. 02-08-1002

**Technical Data of Filter-Components**

Rated Current [A]	Filter-Type	Inductances L [mH]	Capacitance CX [nF]	Capacitance CY [nF]	R [MΩ]
3	DC Standard Version	2 x 4	100	4.7	1
6	DC Standard Version	2 x 0.8	100	4.7	1
10	DC Standard Version	2 x 0.4	100	4.7	1
15	DC Standard Version	2 x 0.1	100	4.7	1

Diagrams



1) Line  
2) Load

Attenuation Loss

--- differential mode    \_\_\_\_ common mode

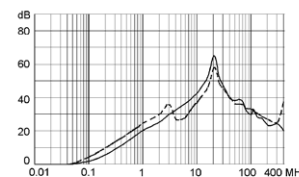
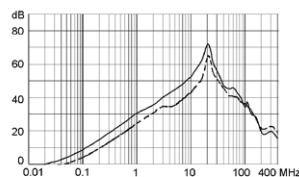
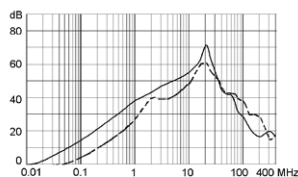
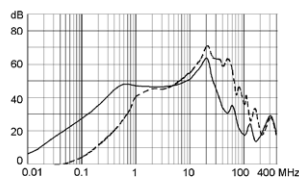
Standard version

3 A

6 A

10 A

15 A



Variants

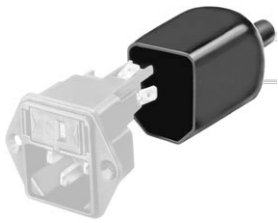
Rated Current [A]	Mounting	Mounting side	Terminal	Mating Connector	Order Number
3	Snap-in	Front-Side	Quick connect terminals 6.3 x 0.8 mm	Molex HCS-125	5003.0131.1
3	Screw	Rear-Side	Quick connect terminals 6.3 x 0.8 mm	Molex HCS-125	5003.0121.1
3	Screw-on/Rivet	Front-/Rear-Side	Quick connect terminals 6.3 x 0.8 mm	Molex HCS-125	5003.0111.1
6	Snap-in	Front-Side	Quick connect terminals 6.3 x 0.8 mm	Molex HCS-125	5003.0231.1
6	Screw	Rear-Side	Quick connect terminals 6.3 x 0.8 mm	Molex HCS-125	5003.0221.1
6	Screw-on/Rivet	Front-/Rear-Side	Quick connect terminals 6.3 x 0.8 mm	Molex HCS-125	5003.0211.1
10	Snap-in	Front-Side	Quick connect terminals 6.3 x 0.8 mm	Molex HCS-125	5003.0331.1
10	Screw	Rear-Side	Quick connect terminals 6.3 x 0.8 mm	Molex HCS-125	5003.0321.1
10	Screw-on/Rivet	Front-/Rear-Side	Quick connect terminals 6.3 x 0.8 mm	Molex HCS-125	5003.0311.1
15	Snap-in	Front-Side	Quick connect terminals 6.3 x 0.8 mm	Molex HCS-125	5003.0431.1
15	Screw	Rear-Side	Quick connect terminals 6.3 x 0.8 mm	Molex HCS-125	5003.0421.1
15	Screw-on/Rivet	Front-/Rear-Side	Quick connect terminals 6.3 x 0.8 mm	Molex HCS-125	5003.0411.1
3	Snap-in	Front-Side	Quick connect terminals 6.3 x 0.8 mm	AMP / Molex MLX	5003.1131.1
3	Screw	Rear-Side	Quick connect terminals 6.3 x 0.8 mm	AMP / Molex MLX	5003.1121.1
3	Screw-on/Rivet	Front-/Rear-Side	Quick connect terminals 6.3 x 0.8 mm	AMP / Molex MLX	5003.1111.1
6	Snap-in	Front-Side	Quick connect terminals 6.3 x 0.8 mm	AMP / Molex MLX	5003.1231.1
6	Screw	Rear-Side	Quick connect terminals 6.3 x 0.8 mm	AMP / Molex MLX	5003.1221.1
6	Screw-on/Rivet	Front-/Rear-Side	Quick connect terminals 6.3 x 0.8 mm	AMP / Molex MLX	5003.1211.1
10	Snap-in	Front-Side	Quick connect terminals 6.3 x 0.8 mm	AMP / Molex MLX	5003.1331.1
10	Screw	Rear-Side	Quick connect terminals 6.3 x 0.8 mm	AMP / Molex MLX	5003.1321.1
10	Screw-on/Rivet	Front-/Rear-Side	Quick connect terminals 6.3 x 0.8 mm	AMP / Molex MLX	5003.1311.1
15	Snap-in	Front-Side	Quick connect terminals 6.3 x 0.8 mm	AMP / Molex MLX	5003.1431.1
15	Screw	Rear-Side	Quick connect terminals 6.3 x 0.8 mm	AMP / Molex MLX	5003.1421.1
15	Screw-on/Rivet	Front-/Rear-Side	Quick connect terminals 6.3 x 0.8 mm	AMP / Molex MLX	5003.1411.1

Type for screw on mounting from rear side has pre-threaded holes for M3 screws

Packaging unit 10 Pcs

Accessories

Description



Assorted Covers  
Rear Cover

0859.0048



Cord retaining kits  
Cord retaining strain relief

Flat head, Z

0888.0021

Flat head, E

4700.0005

Flat head, G

4700.0007