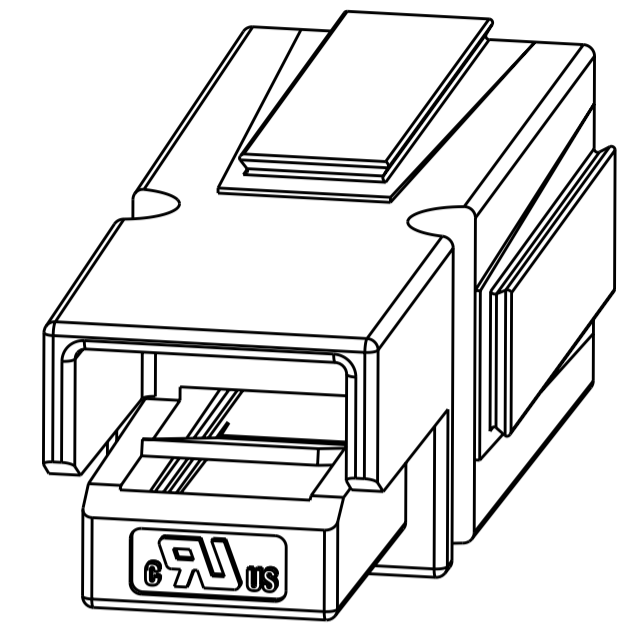
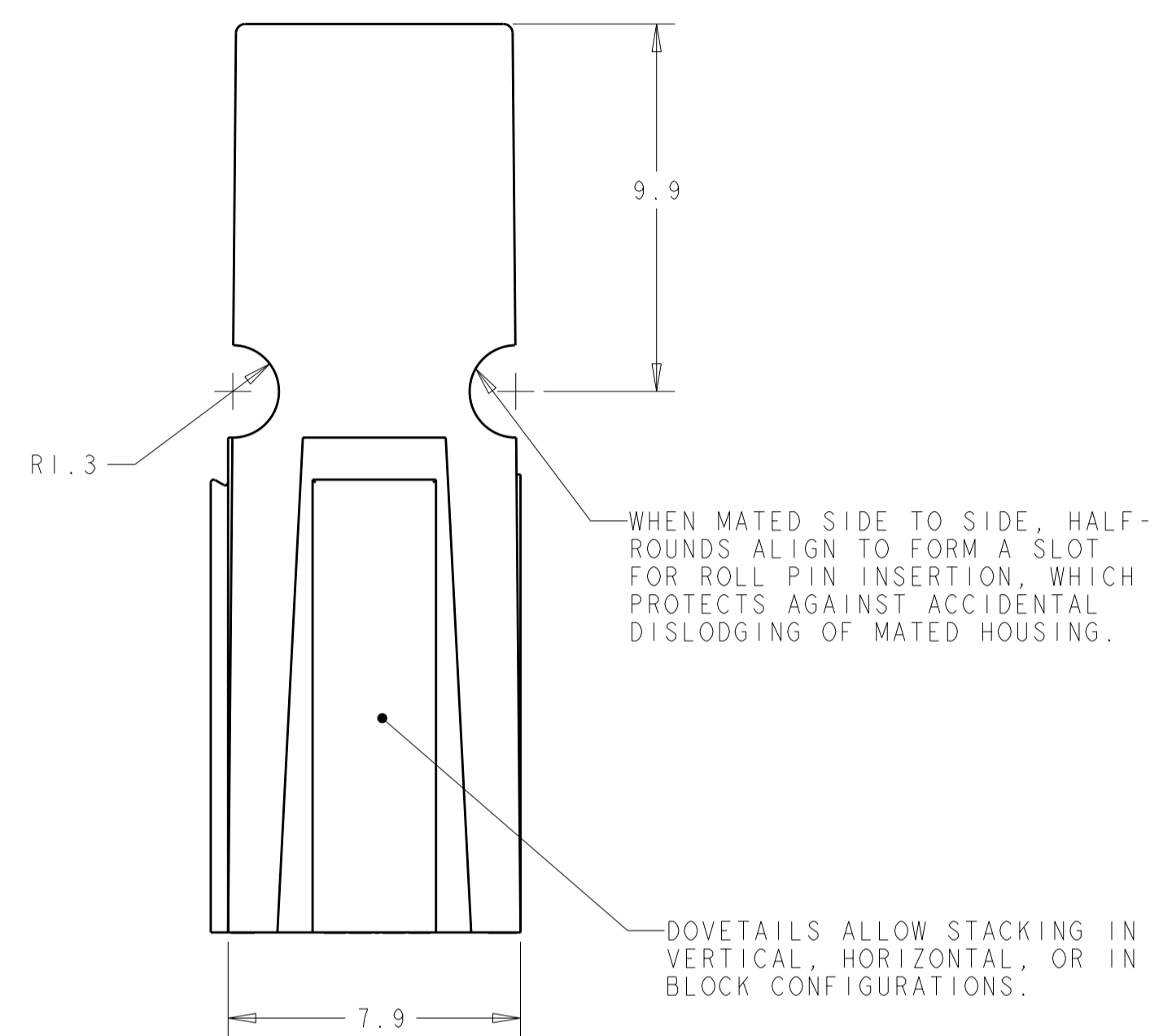
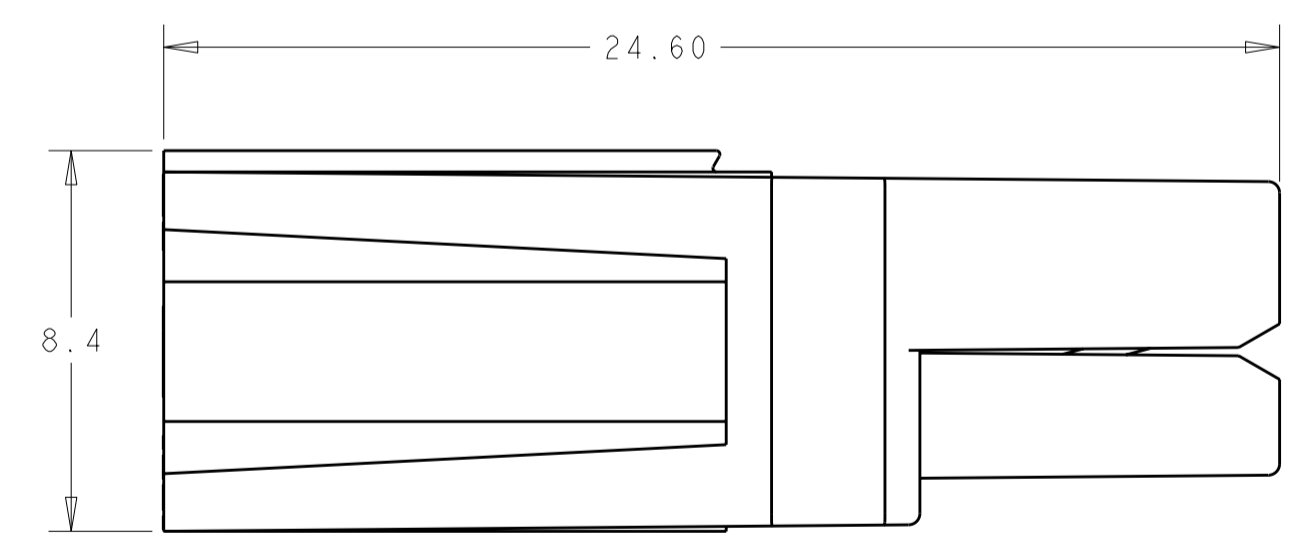
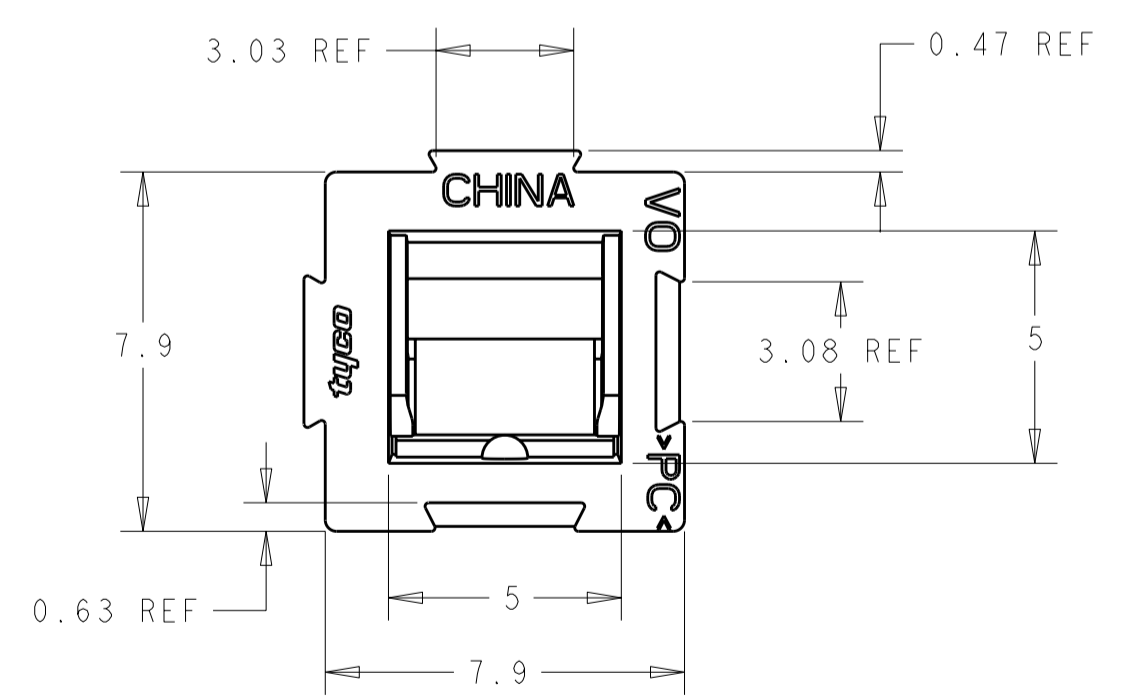


THIS DRAWING IS UNPUBLISHED. RELEASED FOR PUBLICATION 20
 © COPYRIGHT 20 BY TYCO ELECTRONICS CORPORATION. ALL RIGHTS RESERVED.

| LOC | | DIST | | REVISIONS | | | |
|-----|-----|---------------------------|-----------|-----------|------|--|--|
| P | LTR | DESCRIPTION | DATE | DWN | APVD | | |
| | B | REVISED PER ECO-09-017211 | 24JUL2009 | SS | MS | | |
| | | | | | | | |
| | | | | | | | |



1. SPRING/HOUSING ASSEMBLIES ARE UL AND CSA RECOGNIZED PER FILE TBD.
2. THESE HOUSING ASSEMBLIES ACCOMMODATE tyco CONTACTS FOR WIRE RANGES FROM #20 AWG TO #10 AWG.
3. HOUSING: POLYCARBONATE, UL94VO. SPRING: STAINLESS STEEL.



| | |
|--------|-------------|
| BROWN | 1445957-9 |
| GRAY | 1445957-8 |
| ORANGE | 1445957-7 |
| YELLOW | 1445957-6 |
| RED | 1445957-5 |
| GREEN | 1445957-4 |
| WHITE | 1445957-3 |
| BLACK | 1445957-2 |
| BLUE | 1445957-1 |
| COLOR | PART NUMBER |

THIS PRODUCT HAS PASSED VERIFICATION AND AGENCY APPROVALS TESTING AND IS COMPONENT RECOGNIZED PER UL 1977 AND CSA 22.2. TYCO ELECTRONICS PRODUCT QUALIFICATION TESTING IS NOT YET COMPLETE.

| | | | | |
|---|--|-----------------------------------|---|--------------------|
| THIS DRAWING IS A CONTROLLED DOCUMENT FOR TYCO ELECTRONICS CORPORATION. IT IS SUBJECT TO CHANGE AND THE CONTROLLING ENGINEERING ORGANIZATION SHOULD BE CONTACTED FOR THE LATEST REVISION. | | DWN B. HAYMAKER 06NOV01 | Tyco Electronics Harrisburg, PA 17105-3608 | |
| DIMENSIONS: mm | | CHK K. KETELSIEGER 25JAN02 | NAME ASSEMBLY, 15/30/45A SINGLE POLE POWER PRODUCT | |
| TOLERANCES UNLESS OTHERWISE SPECIFIED: 0 PLC ±0.13 1 PLC ±0.13 2 PLC ±0.13 3 PLC ± 4 PLC ± ANGLES ±1 FINISH | | APVD K. KETELSIEGER 25JAN02 | RESTRICTED TO | |
| MATERIAL | | PRODUCT SPEC | SIZE A2 | CAGE CODE 00779 |
| | | APPLICATION SPEC | DRAWING NO 1445957 | SCALE 6:1 |
| | | WEIGHT | SHEET 1 OF 1 | |
| | | CUSTOMER DRAWING | REV B | |