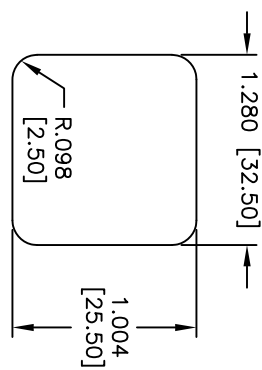
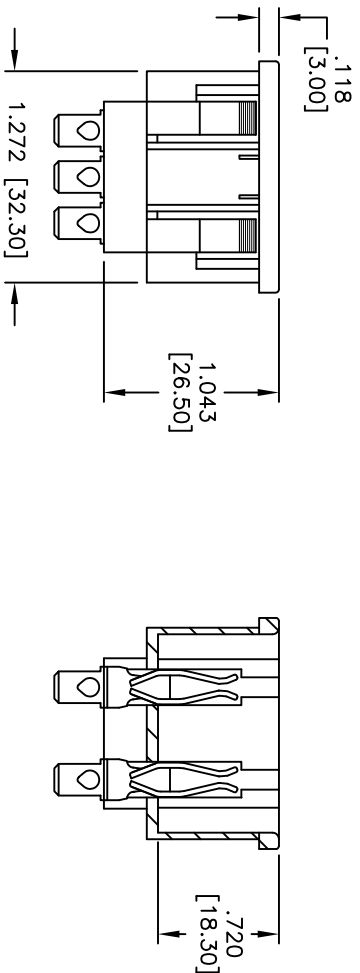
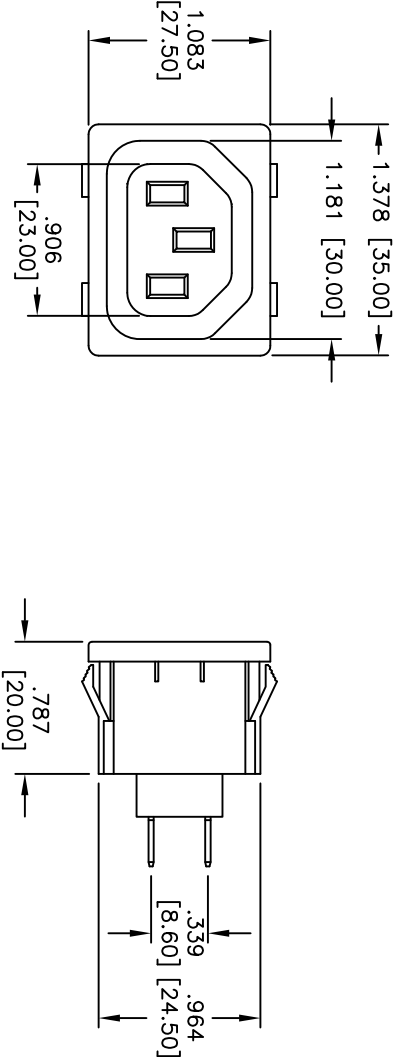


Rev	AWO #	Description	Date	Appr
-		RELEASED	6/17/05	

APPROVED: _____
 DATE: _____ TITLE: _____



RECOMMENDED PANEL CUT-OUT THICKNESS: 0.8mm-1.8mm

TERMINAL OPTIONS		
-1	-2	-3
.187 Q.C.	.250 Q.C.	.157 Solder

SPECIFICATIONS:

Material: Insulator: Nylon 66, glass reinforced, rated UL 94V-0
 Insulator color: Black
 Contacts: Brass
 Plating: Tin over Copper underplate overall
 Electrical: Operating voltage: 250 VAC
 Current rating: UL & CSA: 15 Amps max
 VDE: 10 Amps max
 Insulation resistance: 100 Mohms min @ 500 VDC
 Dielectric withstanding voltage: 2,000 VAC for 1 minute
 Temperature Rating: Operating temperature: -25°C to +70°C
 Environmental: Lead free, RoHS compliant



ADAM TECH

909 Rahway Avenue, Union, NJ 07083
 Phone: 908-687-5000 Fax: 908-687-5710

TITLE: IEC FEMALE OUTLET
 SNAP-IN PANEL MOUNT

UNLESS OTHERWISE SPECIFIED ALL DIMENSIONS ARE INCHES [MM]		TOLERANCES: EXCEPT AS NOTED	
.X	± .10	ØX	± .10
.XX	± .020	ØXXX	± .015
.XXX	± .015	ØXXXX	± .010
APPROVALS	DATE		
DRAWN	SS	6/17/05	
CHECKED			
APPROVED			
SIZE	PART NO.	SCALE	REV.
X	IEC-D-X	NIS	-
REF:		SHEET	1 OF 1