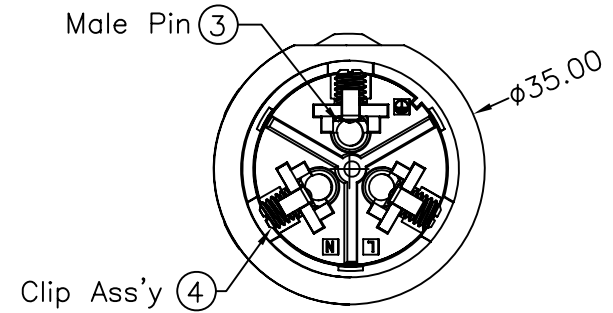
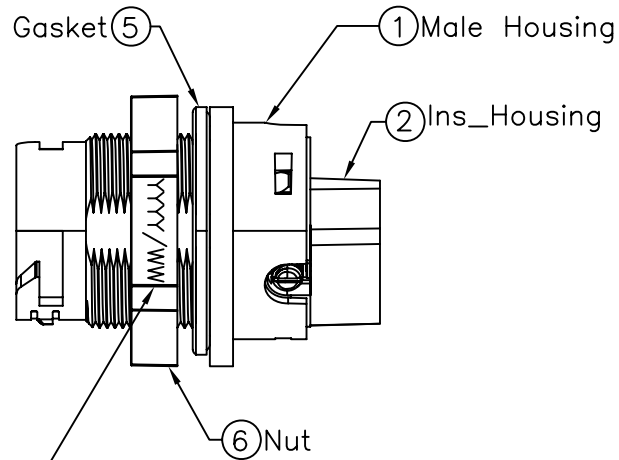


ALTW
CONFIDENTIAL
2011.06.13
R&D DEPT.

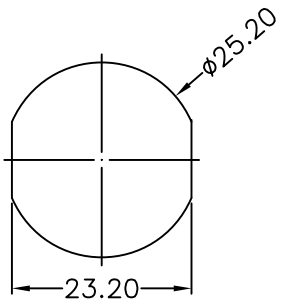
ALTW
DCC. DEPT.
CONFIDENTIAL
2011.07.04
ISSUED

5	6	7	8
REV.	ECN NO.	DATE	SIGN

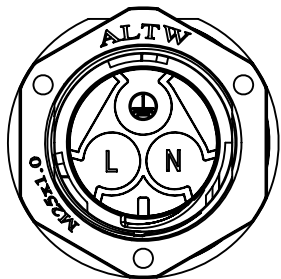


Note:

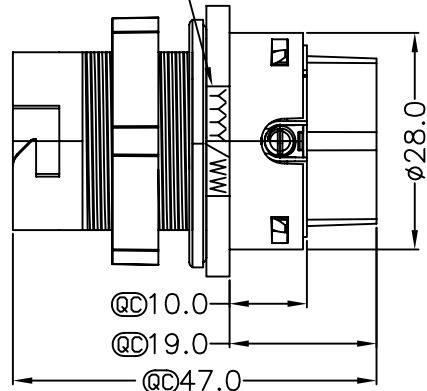
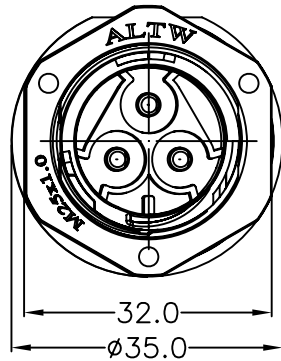
- * @C Important Dimensions To Check.
- * Voltage (電壓) : AC 660V ; DC 1000V
- * Current (電流) : 30A
- * Please refer to manual for Ass'y instruction (使用方式請參閱組裝說明書)
- * Standard (認證) : ULXXXXX ; CSAXXXX; TUVXXXXX
- * Waterproof Rate (防水等級) : IP68_3M6H (Mating 對插)
- * Male Housing (母膠芯) : m-PPE(F1), Black (黑)
- * Male Pin (公端子) : Copper (銅), Tin Plated (鍍錫)
- * Gasket (墊片) : Silicone (矽樹脂), Gray (灰)
- * Wire Size (導體尺寸) : 12~16AWG
- * Flame Class (防火等級) : UL94V-0
- * Recommended Panel Thickness: 0.5mm~8.0mm (建議面板厚度)
- ⑦ * One Set Ass'y Instructions in one PE Bag. (每包袋子中含有組裝說明書)



Recommended Panel Cut-Out



Conn. Pin Assignments Front View



UNIT:mm	
TOLERANCE	
.X	±0.25
.XX	±0.1
.XXX	±0.05
ANGLES	±1°

TITLE PV Connector 3Pin Panel			
SCALE	Free	SHEET	1 OF 1
REV.	A	SIZE	A4
@C : Inspection Item			

Amphenol LTW
安費諾亮泰企業股份有限公司

ITEM NO	LTWPWJ-03PMMB-LC8001
DWG NO	LTWPWJ-03PMMB-LC8001
CUSTOMER	

DRAWN BY	Micky	DATE	2011/06/13
CHECKED BY	Kevin	DATE	2011/06/13
APPROVED BY	Victor	DATE	2011/06/13

THIS DOCUMENT IS SUBJECT TO CHANGE WITHOUT NOTICE. IT IS CONFIDENTIAL AND A PROPERTY OF Amphenol LTW. DISCLOSURE TO THIRD PARTY HAS TO BE AUTHORIZED BY Amphenol LTW.