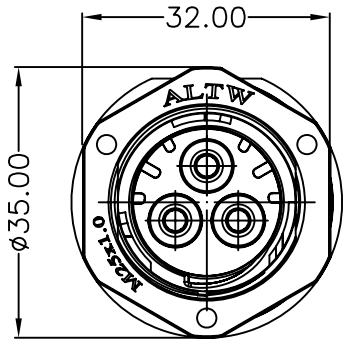
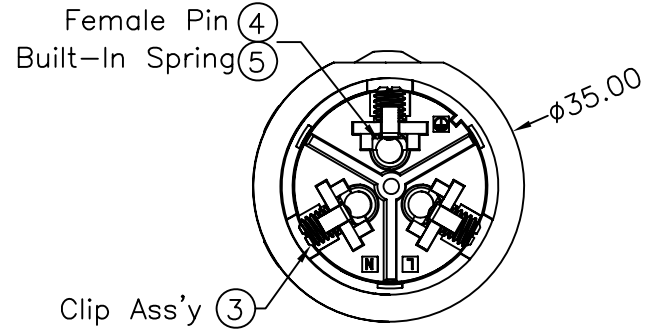
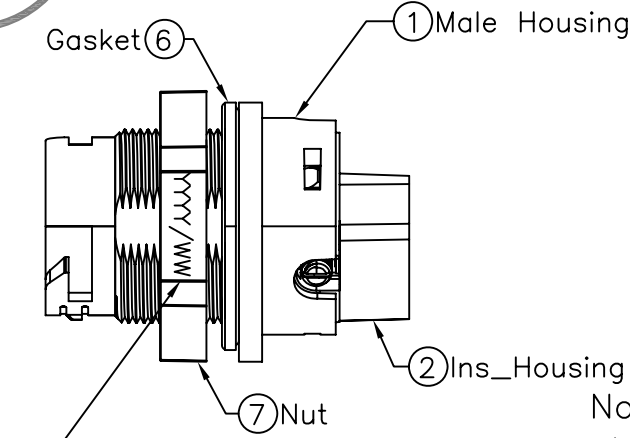


5	6	7	8
REV.	ECN NO.	DATE	SIGN
			DESCRIPTION

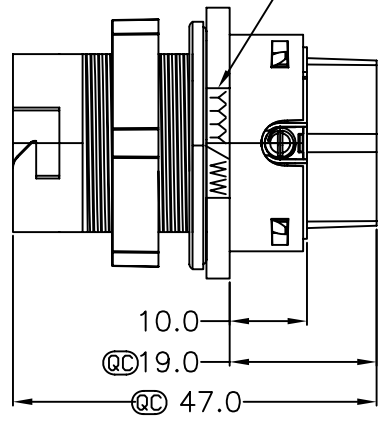
ALTW
DCC. DEPT.
CONFIDENTIAL
2011.07.04
ISSUED



ALTW
CONFIDENTIAL
2011.06.13
R&D DEPT.

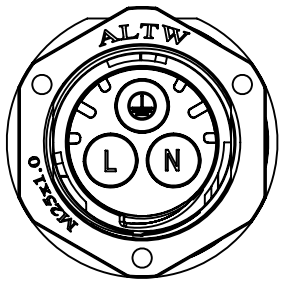


QC Laser Mark
YYYY/WW
Week Year

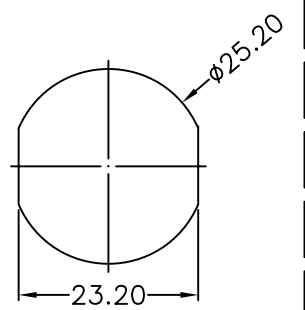


Note:

- * QC Important Dimensions To Check.
- * Voltage (電壓) : AC 660V ; DC 1000V
- * Current (電流) : 30A
- * Please refer to manual for Ass'y instruction (使用方式請參閱組裝說明書)
- * Standard (認證) :ULXXXXX ;CSAXXXX; TUVXXXXX
- * Waterproof Rate (防水等級) : IP68_3M6H(Mating對插)
- * Male Housing (母膠芯): m-PPE(F1),Black (黑)
- * Female Pin (公端子): Copper (銅),Tin Plated (鍍錫)
- * Gasket (墊片) : Silicone (矽樹脂),Gray (灰)
- * Wire Size (導體尺寸): 10~16AWG
- * Flame Class (防火等級): UL94V-0
- * Recommended Panel Thickness: 0.5mm~8.0mm (建議面板厚度)
- * One Set Ass'y Instructions in one PE Bag. (每包袋子中含有組裝說明書)



Conn. Pin Assignments Front View



Recommended Panel Cut-Out

UNIT:mm	
TOLERANCE	
.X	±0.25
.XX	±0.1
.XXX	±0.05
ANGLES	±1°

TITLE PV Power Conn 3Pin Panel Male Connector Female Pin	
SCALE Free	SHEET 1 OF 1
REV. A	SIZE A4
QC :Inspection Item	

Amphenol LTW
安費諾亮泰企業股份有限公司

ITEM NO LTWPWJ-03PMFB-LC8001	DRAWN BY Micky
DWG NO LTWPWJ-03PMFB-LC8001	CHECKED BY Kevin
CUSTOMER	APPROVED BY Victor

DATE 2011/06/13
DATE 2011/06/13
DATE 2011/06/13

THIS DOCUMENT IS SUBJECT TO CHANGE WITHOUT NOTICE. IT IS CONFIDENTIAL AND A PROPERTY OF Amphenol LTW. DISCLOSURE TO THIRD PARTY HAS TO BE AUTHORIZED BY Amphenol LTW.