

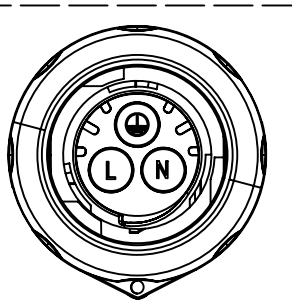
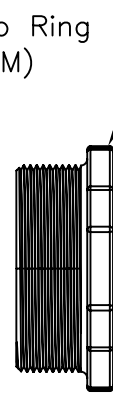
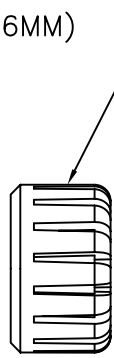
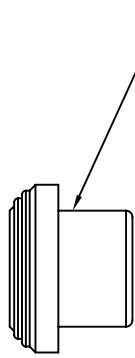
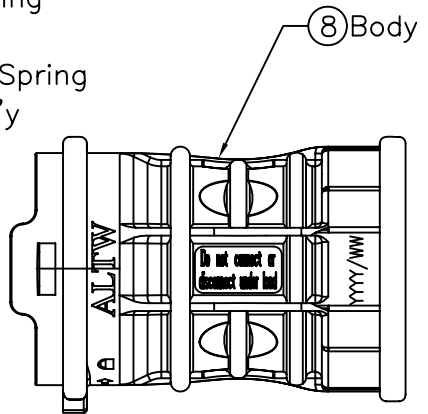
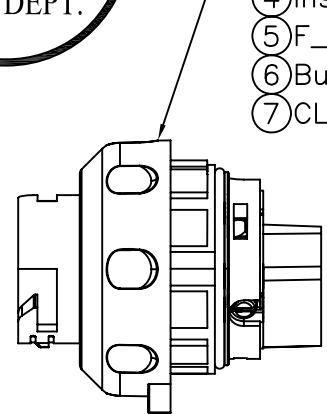
REV.	ECN NO.	DATE	SIGN	DESCRIPTION

THIS DOCUMENT IS SUBJECT TO CHANGE WITHOUT NOTICE. IT IS CONFIDENTIAL AND A PROPERTY OF Amphenol LTW. DISCLOSE TO THIRD PARTY HAS TO BE AUTHORIZED BY Amphenol LTW.

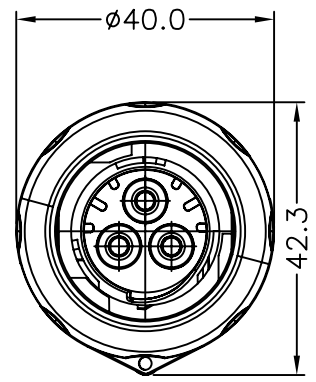
ALTW  
CONFIDENTIAL  
2011.06.13  
R&D DEPT.

ALTW  
DCC. DEPT.  
CONFIDENTIAL  
2011.07.01  
ISSUED

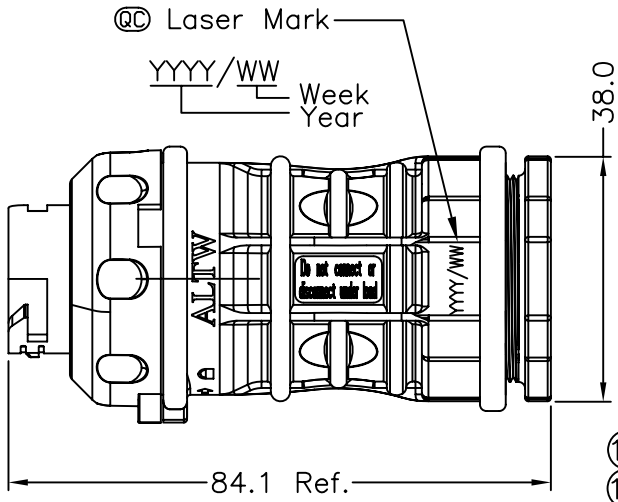
- ① M Housing
- ② O-Ring
- ③ Nut
- ④ Ins\_Housing
- ⑤ F\_Pin
- ⑥ Built-In Spring
- ⑦ CLIP Ass'y



Pin Assignments  
Front View



Conn.



Note:

- \* @@Important Dimensions To Check.(重點檢查尺寸)
- \* Voltage (電壓) : AC 660V ; DC 1000V
- \* Current (電流) : 30A
- \* Please refer to manual for Ass'y instruction (使用方式請參閱組裝說明書)
- \* Standard (認證) : ULXXXXX ;CSAXXXX; TUVXXXXX
- \* Waterproof Rate(防水等級) : IP68\_3M6H(Mating對接)
- \* Male Housing(公膠芯) : m-PPE(F1),Black (黑)
- \* Female Pin(母端子) : Copper(銅),Tin Plated(鍍錫)
- \* O-ring(□型環) : Silicone(矽樹脂),Gray (灰)
- \* Cable OD range(線材範圍) : 16mm~13mm
- \* Wire Size(導體尺寸) : 10AWG~16AWG
- \* Flame Class(防火等級) : UL94V-0
- ⑬\* One Set Unassembled in one PE Bag.
- ⑫\* One Set Ass'y Instructions in one PE Bag. (每包袋子中含有未組裝零件, 組裝說明書)

UNIT:mm		TITLE PV Connector 3Pin Cable(16MM) M CON, F PIN
TOLERANCE .X ±0.25 .XX ±0.1 .XXX ±0.05 ANGLES ±1°	SCALE Free	SHEET 1 OF 1
REV. A	SIZE A4	QC :Inspection Item

**Amphenol LTW**  
安費諾亮泰企業股份有限公司

ITEM NO LTWPWJ-03BMFB-LL8001	DRAWN BY Micky	DATE 2011/06/13
DWG NO LTWPWJ-03BMFB-LL8001	CHECKED BY Doreen	DATE 2011/06/13
CUSTOMER	APPROVED BY Victor	DATE 2011/06/13