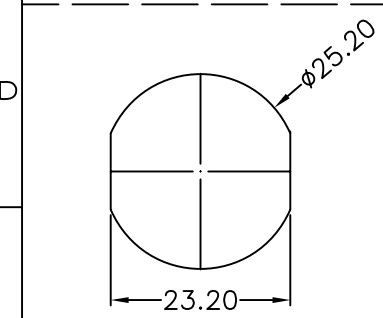
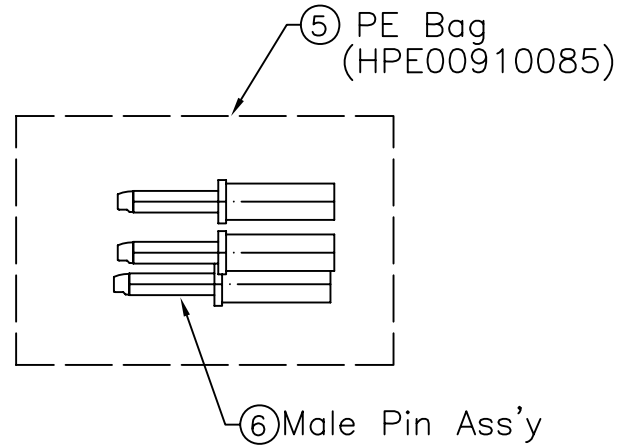
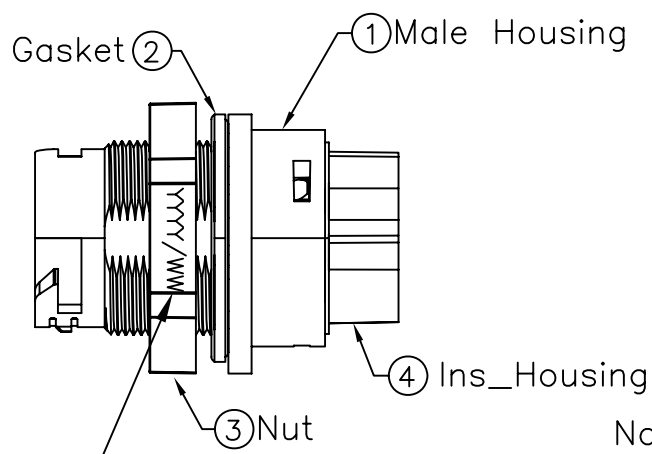


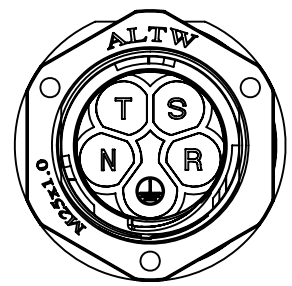
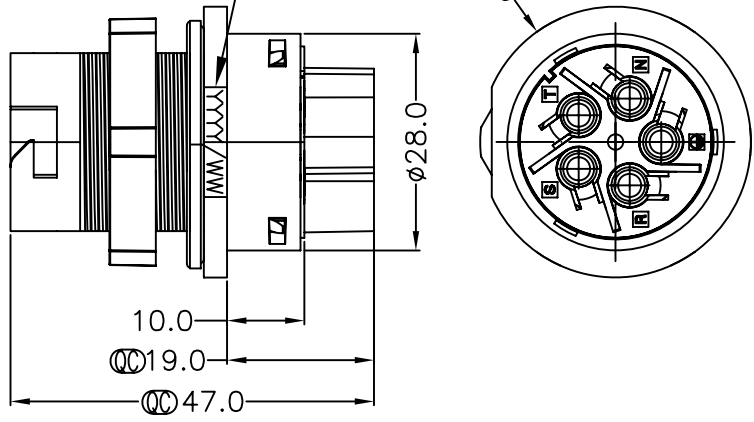
5	6	7	8
REV.	ECN NO.	DATE	SIGN

ALTW
CONFIDENTIAL
2011.06.13
R&D DEPT.

ALTW
DCC. DEPT.
CONFIDENTIAL
2011.07.04
ISSUED



QC Laser Mark
YYYY/WW
Week Year



Conn. Pin Assignments Front View

Note:

- * QC Important Dimensions To Check. (重點檢查尺寸)
- * Voltage (電壓) : AC 660V ; DC 1000V
- * Current (電流) : 25A
- * Please refer to manual for Ass'y instruction (使用方式請參閱組裝說明書)
- * Standard (認證) : ULXXXXX ; CSAXXXX ; TUVXXXXX
- * Waterproof Rate (防水等級) : IP68_3M6H (Mating 對接)
- * Male Housing (母膠芯) : m-PPE(F1), Black (黑)
- * Male Pin (公端子) : Copper (銅), Tin Plated (鍍錫)
- * Gasket (墊片) : Silicone (矽樹脂), Gray (灰)
- * Wire Size (導體尺寸) : 12AWG
- * Flame Class (防火等級) : UL94V-0
- * Recommended Panel Thickness : 0.5mm~8mm (建議面板厚度)
- ⑦ * One Set Ass'y Instructions in one PE Bag. (每包袋子中含有組裝說明書)

UNIT:mm	
TOLERANCE	
.X	±0.25
.XX	±0.1
.XXX	±0.05
ANGLES	±1°

TITLE PV Connector 5Pin Panel	
SCALE Free	SHEET 1 OF 1
REV. A	SIZE A4
QC : Inspection Item	

Amphenol LTW
安費諾亮泰企業股份有限公司

ITEM NO LTWPWH-05PMMC-LC8001	DRAWN BY Micky
DWG NO LTWPWH-05PMMC-LC8001	CHECKED BY Kevin
CUSTOMER	APPROVED BY Victor

DATE 2011/06/13
DATE 2011/06/13
DATE 2011/06/13

THIS DOCUMENT IS SUBJECT TO CHANGE WITHOUT NOTICE. IT IS CONFIDENTIAL AND A PROPERTY OF AMPHENOL LTW. DISCLOSURE TO THIRD PARTY HAS TO BE AUTHORIZED BY AMPHENOL LTW.