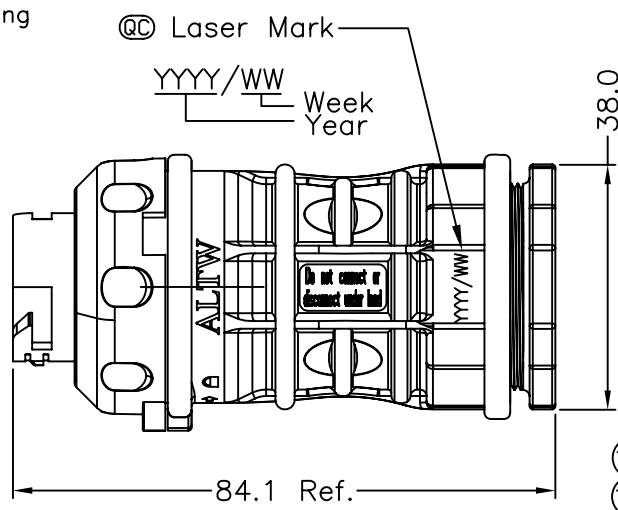
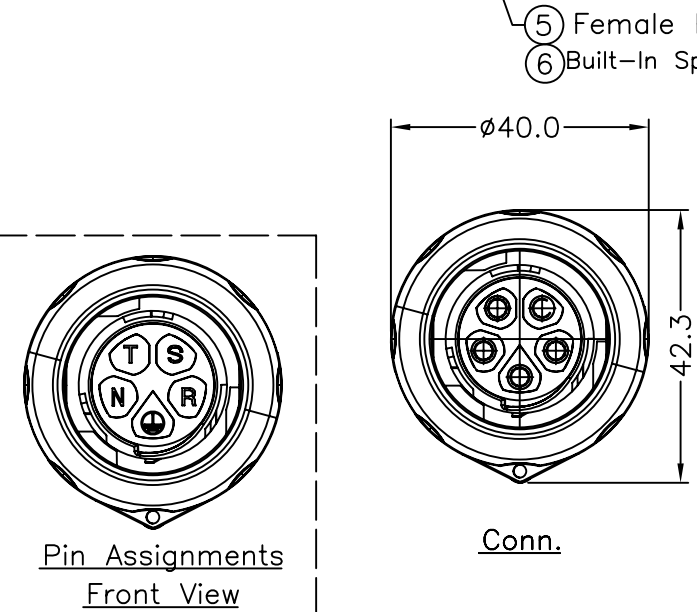
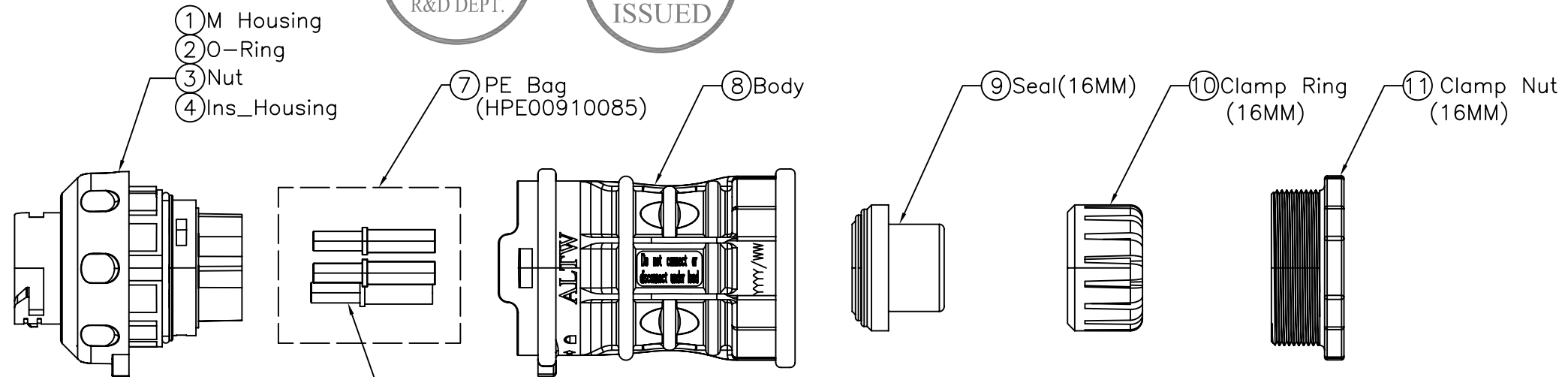
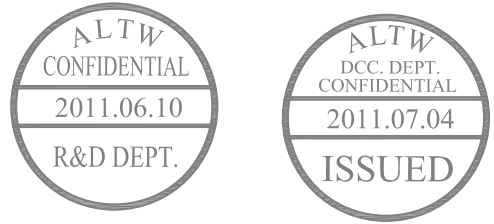


5	6	7	8
REV.	ECN NO.	DATE	SIGN



- Note:
- \* @@Important Dimensions To Check.(重點檢查尺寸)
  - \* Voltage (電壓) : AC 660V ; DC 1000V
  - \* Current (電流) : 25A
  - \* Please refer to manual for Ass'y instruction (使用方式請參閱組裝說明書)
  - \* Standard (認證) :ULXXXXX ;CSAXXXX; TUVXXXXX
  - \* Waterproof Rate(防水等級) : IP68\_3M6H(Mating對接)
  - \* Male Housing(公膠芯) : m-PPE(F1),Black (黑)
  - \* Female Pin(母端子) : Copper(銅),Tin Plated(鍍錫)
  - \* O-ring(□型環) : Silicone(矽樹脂),Gray (灰)
  - \* Cable OD range(線材範圍) : 16mm~13mm
  - \* Wire Size(導體尺寸) : 12AWG
  - \* Flame Class(防火等級) : UL94V-0
  - (13)\* One Set Unassembled in one PE Bag.
  - (12)\* One Set Ass'y Instructions in one PE Bag. (每包袋子中含有未組裝零件, 組裝說明書)

UNIT:mm		TITLE PV Connector 5Pin Cable(16MM) M CON, F PIN
TOLERANCE .X ±0.25 .XX ±0.1 .XXX ±0.05 ANGLES ±1°	SCALE Free	SHEET 1 OF 1
REV. A	SIZE A4	@@ :Inspection Item

**Amphenol LTW**  
安費諾亮泰企業股份有限公司

ITEM NO LTWPHW-05BMFC-LL8001	DRAWN BY Micky	DATE 2011/06/10
DWG NO LTWPHW-05BMFC-LL8001	CHECKED BY Doreen	DATE 2011/06/10
CUSTOMER	APPROVED BY Victor	DATE 2011/06/10

THIS DOCUMENT IS SUBJECT TO CHANGE WITHOUT NOTICE. IT IS CONFIDENTIAL AND A PROPERTY OF Amphenol LTW. DISCLOSED TO THIRD PARTY HAS TO BE AUTHORIZED BY Amphenol LTW.