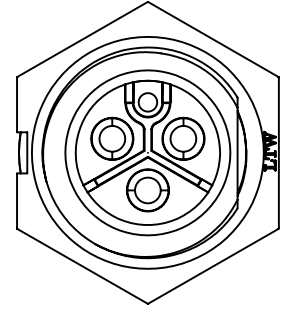
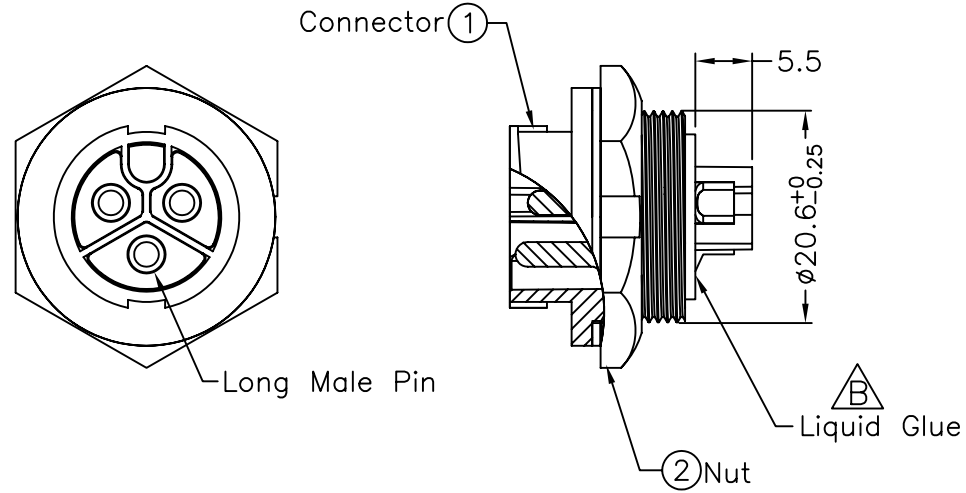
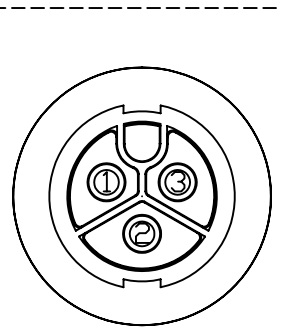


REV.	ECN NO.	DATE	SIGN	DESCRIPTION
B	LE3-9A0097	2009/10/20	Rita	Delete liquid no.

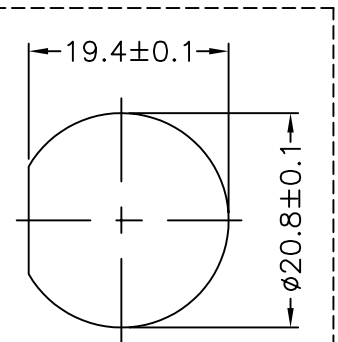
LTW
CONFIDENTIAL
2009.10.20
R&D DEPT.



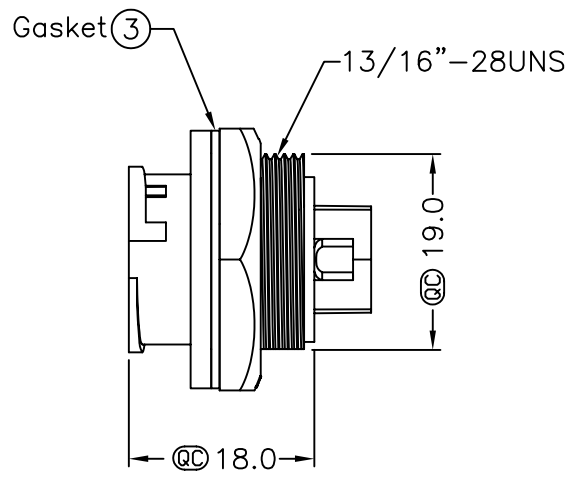
LTW
DCC. DEPT.
CONFIDENTIAL
2009.10.23
ISSUED



Pin Assignments
Front View



Recommended
Panel Cut-Out



- Note:
- * QC Important Dimension To Check.
 - * Waterproof Rate: IP67
 - * Connector: Nylon+GF, UL94V-0, Black
 - * Male Pin: Copper Alloy, Gold Plated
 - * Gasket: Silicone, UL94V-0, Gray
 - * Maximum Panel Thickness: 4.5mm

UNIT:mm		TITLE Power, Panel Lock 3Pin M Conn. M Pin 20Amps	 亮泰企業股份有限公司	ITEM NO LTWPWC-03RMMS-LC7001	DRAWN BY Rita	DATE 2009/10/20
TOLERANCE .X ±0.25 .XX ±0.1 .XXX ±0.05 ANGLES ±1°	SCALE Free	SHEET 1 OF 1		DWG NO LTWPWC-03RMMS-LC7001	CHECKED BY Vicky	DATE 2009/10/20
REV. B	SIZE A4	QC : Inspection Item		CUSTOMER	APPROVED BY Lion	DATE 2009/10/21

THIS DOCUMENT IS SUBJECT TO CHANGE WITHOUT NOTICE. IT IS CONFIDENTIAL AND A PROPERTY OF LTW. DISCLOSURE TO THIRD PARTY HAS TO BE AUTHORIZED BY LTW.