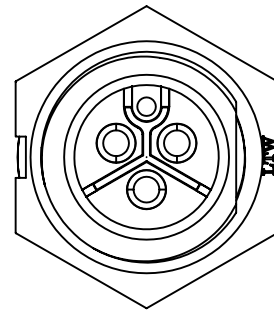
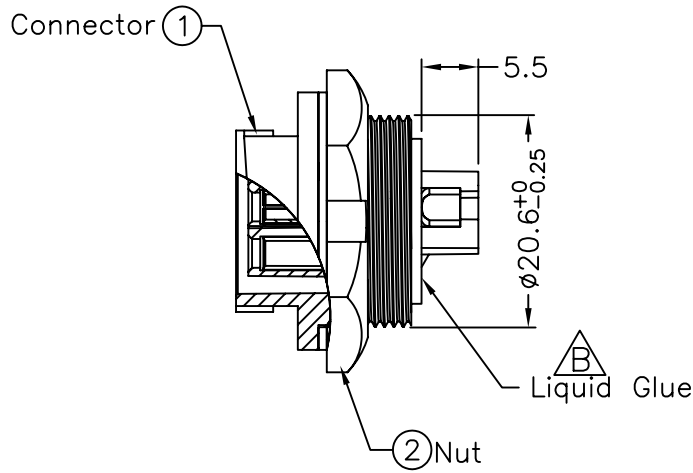
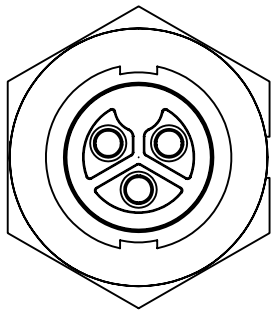
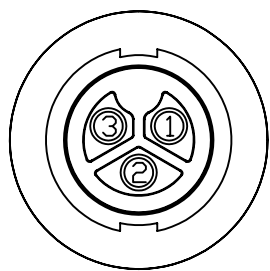


LTW  
CONFIDENTIAL  
2009.10.20  
R&D DEPT.

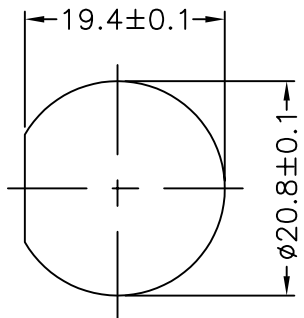
REV.	ECN NO.	DATE	SIGN	DESCRIPTION
B	LE3-9A0098	2009/10/20	Rita	Delete liquid no.



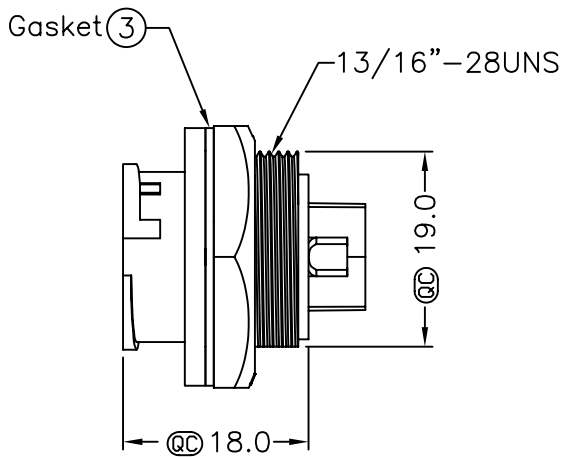
LTW  
DCC. DEPT.  
CONFIDENTIAL  
2009.10.23  
ISSUED



Pin Assignments  
Front View



Recommended  
Panel Cut-Out



Note:

- \* @C Important Dimension To Check.
- \* Waterproof Rate: IP67
- \* Connector: Nylon+GF, UL94V-0, Black
- \* Female Pin: Copper Alloy, Gold Plated
- \* Gasket: Silicone, UL94V-0, Gray
- \* Maximum Panel Thickness: 4.5mm

UNIT:mm	
TOLERANCE	
.X	$\pm 0.25$
.XX	$\pm 0.1$
.XXX	$\pm 0.05$
ANGLES	$\pm 1^\circ$

TITLE Power, Panel Lock 3Pin M Conn. F Pin 20Amps	
SCALE Free	SHEET 1 OF 1
REV. B	SIZE A4
@C : Inspection Item	

LTW  
亮泰企業股份有限公司

ITEM NO LTWPWC-03RMFS-LC7001
DWG NO LTWPWC-03RMFS-LC7001
CUSTOMER

DRAWN BY Rita
CHECKED BY Vicky
APPROVED BY Lion

DATE 2009/10/20
DATE 2009/10/20
DATE 2009/10/21

THIS DOCUMENT IS SUBJECT TO CHANGE WITHOUT NOTICE. IT IS CONFIDENTIAL AND A PROPERTY OF LTW. DISCLOSURE TO THIRD PARTY HAS TO BE AUTHORIZED BY LTW.