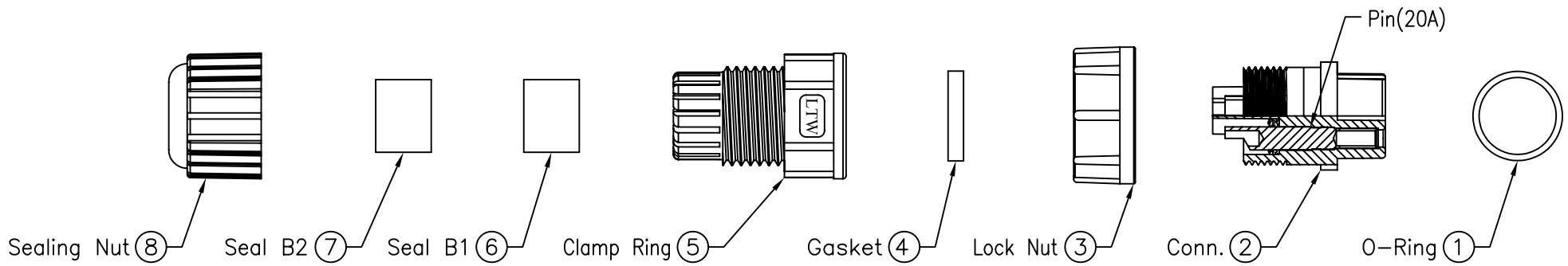
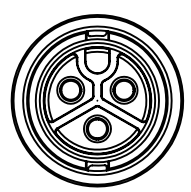
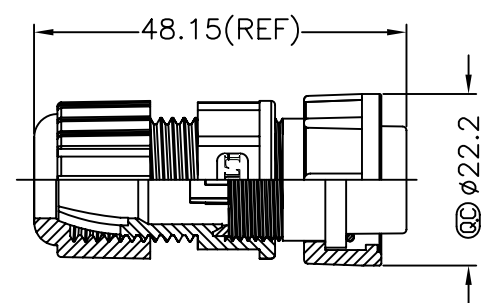


5	6	7	8
REV. B	ECN NO. LEN-020038	DATE 2010/01/20	SIGN Vicky
			DESCRIPTION Remove Note.

THIS DOCUMENT IS SUBJECT TO CHANGE WITHOUT NOTICE. IT IS CONFIDENTIAL AND A PROPERTY OF LTW. DISCLOSURE TO THIRD PARTY HAS TO BE AUTHORIZED BY LTW.

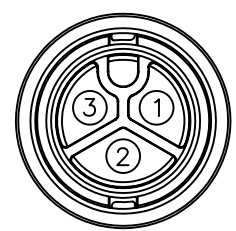


LTW
 DCC. DEPT.
 CONFIDENTIAL
 2010.02.06
 ISSUED



Conn.

- Note:**
- * @C Important Dimensions To Check.
 - * Waterproof Rate: IP67.
 - * Housing: Nylon+GF, Black.
 - * Female Pin: Copper Alloy, Gold Plated.
 - * O-Ring: Silicon, Gray.
 - * Lock Nut: Nylon+GF, Black.
 - * Gasket: Silicon, Gray.
 - * Clamp Ring: PPO, Black.
 - * Sealing Nut: Nylon+GF, Black.
 - * Seal B1 For Cable OD: $\phi 7.6\text{mm} \sim 9.6\text{mm}$.
 - * Seal B2 For Cable OD: $\phi 4.0\text{mm} \sim 7.6\text{mm}$.
 - * One Set Unassembled In One PE Bag.



Pin Assignments
Front View

LTW
 CONFIDENTIAL
 2010.01.20
 R&D DEPT.

UNIT:mm		TITLE	LTW 亮泰企業股份有限公司		ITEM NO	DRAWN BY	DATE
TOLERANCE	$\pm 0.5 \text{ mm}$	Power, Assy Lock 3Pins F Conn. F Pin 20Amps			LTWPWC-03BFFA-LL7001	Vicky	2010/01/20
		SCALE	SHEET	DWG NO	CHECKED BY	DATE	
		Free	1 OF 1	LTWPWC-03BFFA-LL7001	Rita	2010/01/20	
		REV. B	SIZE A4	CUSTOMER	APPROVED BY	DATE	
			@C : Inspection Item		Lion	2010/01/20	