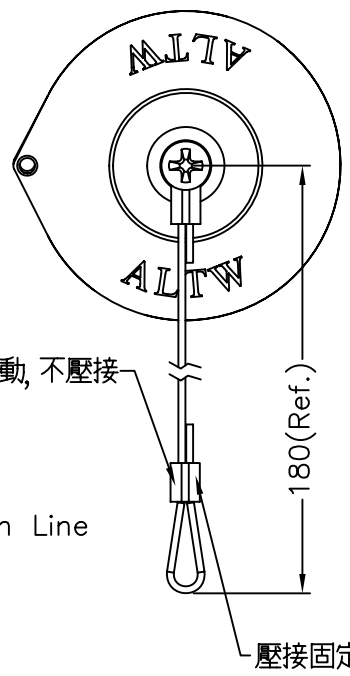
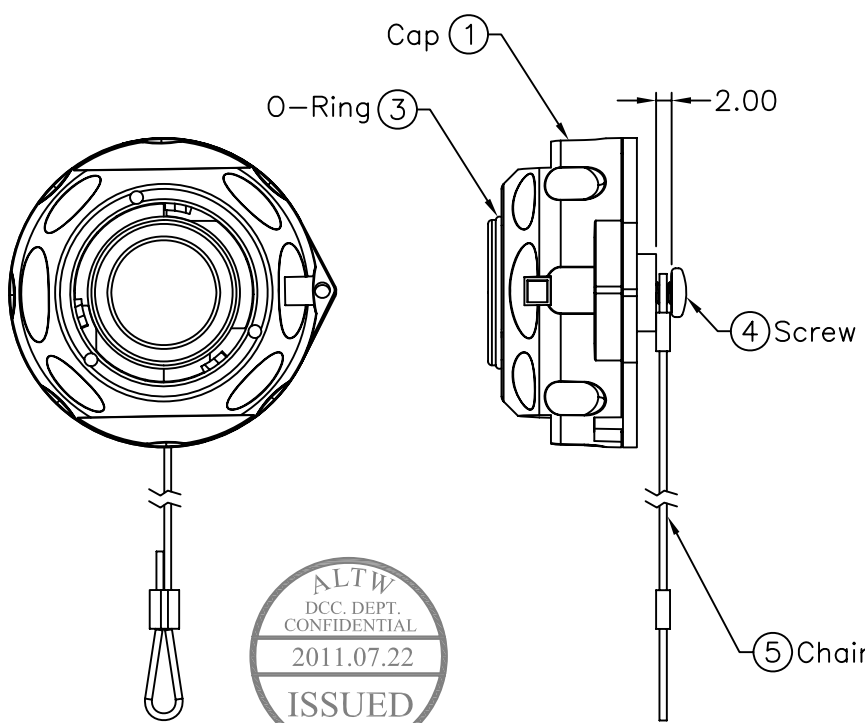
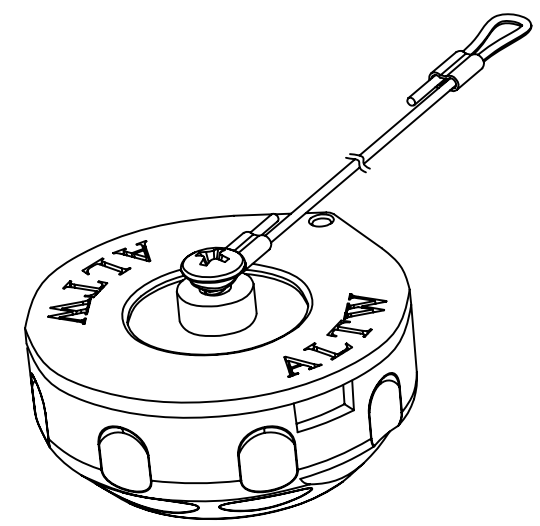
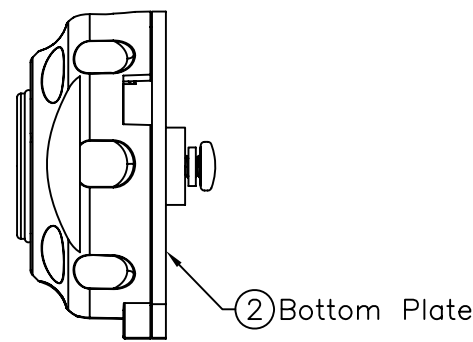


5	6	7	8
REV.	ECN NO.	DATE	SIGN

THIS DOCUMENT IS SUBJECT TO CHANGE WITHOUT NOTICE. IT IS CONFIDENTIAL AND A PROPERTY OF Amphenol LTW. DISCLOSE TO THIRD PARTY HAS TO BE AUTHORIZED BY Amphenol LTW.

ALTW
CONFIDENTIAL
2011.07.19
R&D DEPT.



ALTW
DCC. DEPT.
CONFIDENTIAL
2011.07.22
ISSUED

- Note:
- * Ⓞ Important Dimensions.
 - * Waterproof Rate: IP68.
 - * Cap: PPE, Black
 - * O-ring: Silicone, Gray.
 - * Screw: Stainless.
 - * Fish Line: Nylon.
 - ⑥ * One Set In One PE Bag.
Part of Fish Line: Stainless.

UNIT:mm	
TOLERANCE	
.X	±0.25
.XX	±0.1
.XXX	±0.05
ANGLES	±1°

TITLE			
WATERPROOF CAP FOR PW II F/M CON			
SCALE	Free	SHEET	1 OF 1
REV.	A	SIZE	A4
Ⓞ :Inspection Item			

Amphenol LTW
安費諾亮泰企業股份有限公司

ITEM NO	LTWCAP-WPWMCLD1
DWG NO	LTWCAP-WPWMCLD1
CUSTOMER	

DRAWN BY	Micky
CHECKED BY	Doreen
APPROVED BY	Victor

DATE	2011/07/19
DATE	2011/07/19
DATE	2011/07/19