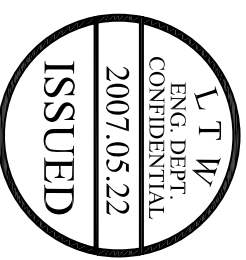
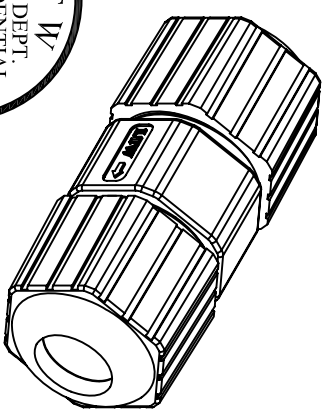
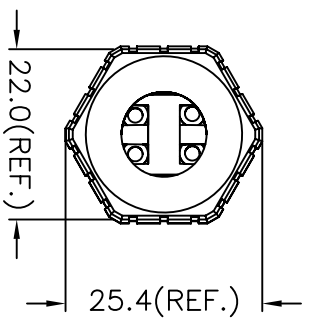
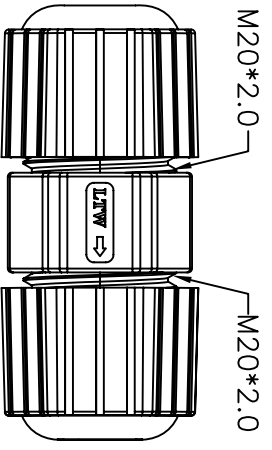
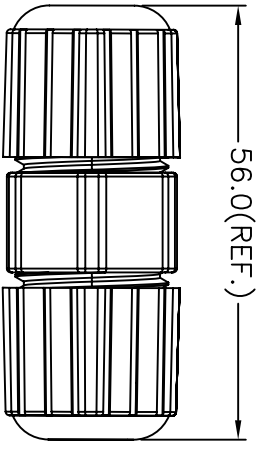
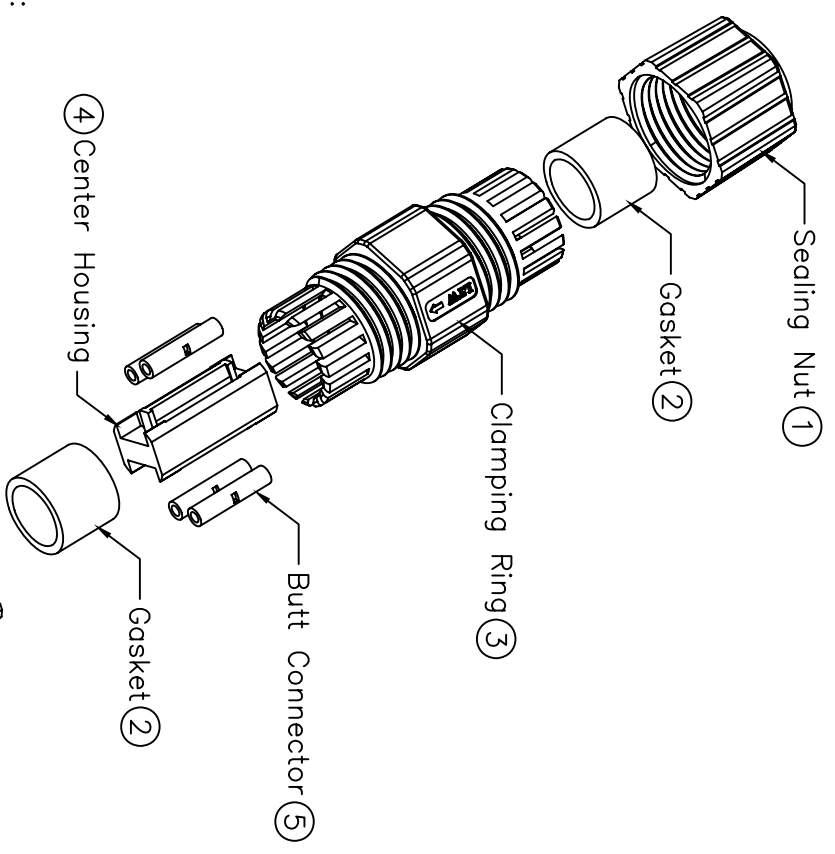


REV.	EON NO.	DATE	SIGN	DESCRIPTION

- Notes:
- * \varnothing Important Dimension.
 - * Waterproof Rate: IP67
 - * Sealing Nut: Nylon, Black
 - * Gasket: EPDM, Black
 - * Center Housing: Nylon, Black
 - * Clamping Ring: Nylon, Black
 - * Butt Connector: 16~22 AWG
 - * Cable Range: $\varnothing 6 \sim \varnothing 10$ mm
 - * One Set non-Assembly in One PE Bag



TOLERANCE	\varnothing	UNIT:mm	TITLE
.X	± 0.25		Cable Joiner For 16~22 AWG
.XX	± 0.1		(4 Conductor)
.XXX	± 0.05		
ANGLES	$\pm 1'$		
SCALE	Free	SHEET	1 OF 1
REV.	A	SIZE	A4
			\varnothing : Inspection Item

LTW
亮泰企業股份有限公司

ITEM NO	LTWCX-04BAM20-7001	DRAWN BY	Kathy Huang	DATE	2007/05/16
DWG NO	LTWCX-04BAM20-7001	CHECKED BY	Steven Chen	DATE	2007/05/17
CUSTOMER		APPROVED BY	Max Hung	DATE	2007/05/18