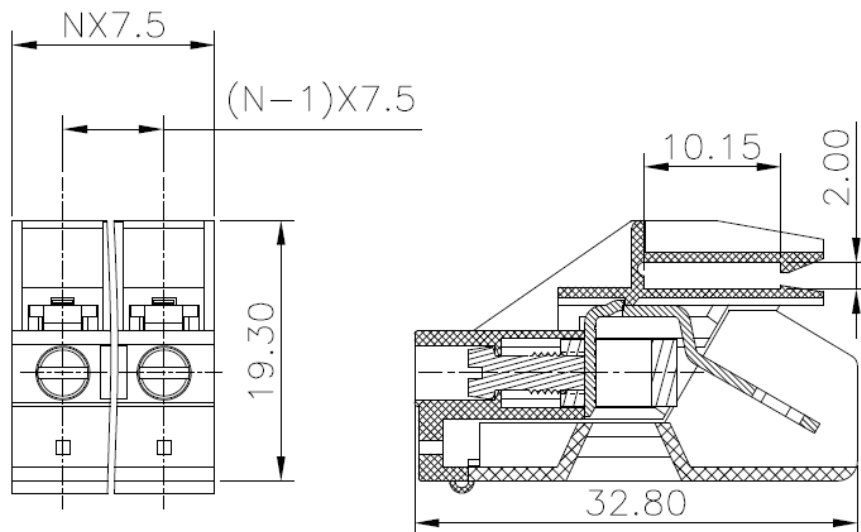




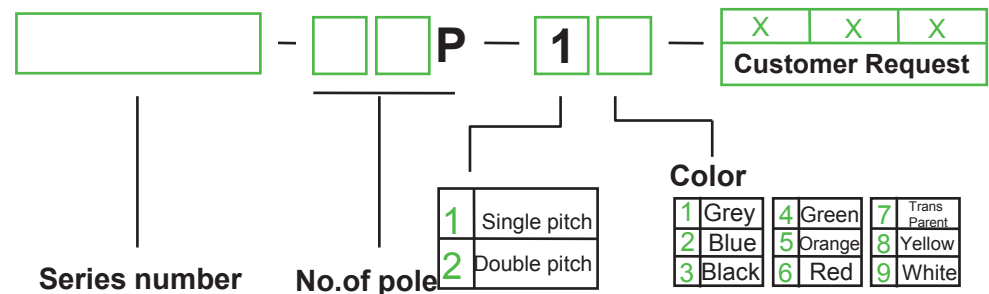
DEGSON ELECTRONICS CO., LTD.

Product Specification



APPROVAL		
Electrical		
Standard	UL	IEC
Rated voltage	600V	450V
Rated current	30A	32A
Wire range	20-10AWG	0.5-4.0mm ²
Withstanding voltage	AC2500V/1Min	
Mechanical		
Torque	0.5Nm(4.4Lb-In)	
Ambient temperature	-40°C~+105°C	
Strip length	10-12mm	
Dimensions		
Pitch	7.5mm(.295")	
Poles	1P -3P	
Material		
Housing	PA66,UL94V-0	
Screws	M3, Steel,Cr ³⁺ Zn plated	
Contact	Copper, Tin plated	
Cage	Brass ,Ni plated	

HOW TO ORDER :



 mm (INCH)	 DEGSON ELECTRONICS CO., LTD.
 THROANGLE PROJECTION	NAME TSCB4