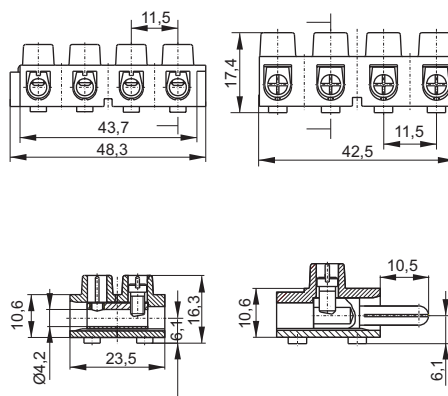


TERMINAL BLOCKS

4-line terminal block GP2,5 4-line terminal block WP2,5



TYPE	GP2,5	WP2,5	GP+WP	GP (8 screws)
Catalogue number	12-610	12-620	12-630	12-612
Colour	white-2 ○ black-3 ● green-5 ● blue-6 ● red-7 ●	white-2 ○ black-3 ● green-5 ● blue-6 ● red-7 ●	white-2 ○ black-3 ● green-5 ● blue-6 ● red-7 ●	white-2 ○ black-3 ●
Standard	EN 60998-2-1 EN 60335-1 p.30.1 p.30.2	EN 60998-2-1 EN 60335-1 p.30.1 p.30.2	EN 60998-2-1 EN 60335-1 p.30.1 p.30.2	EN 60998-2-1 EN 60335-1 p.30.1 p.30.2
Nominal cross-section	2,5mm ²	2,5mm ²	2,5mm ²	2,5mm ²
Nominal connectivity: wire/cord	0,5...2,5mm ²	0,5...2,5mm ²	0,5...2,5mm ²	0,5...2,5mm ²
Number of simultaneously connected conductors	2	2	2	2
Nominal voltage of insulation	450V	450V	450V	450V
Nominal continuous current	24A	24A	24A	24A
Terminal torque	0,8Nm	0,8Nm	0,8Nm	0,8Nm
Stripping length	7mm	7mm	7mm	7mm
Insulating material	polyamide with glass fibre	polyamide with glass fibre	polyamide with glass fibre	polyamide with glass fibre
Ambient temperature	-25...+150°C	-25...+150°C	-25...+150°C	-25...+150°C
Weight	19g	22g	41g	20g

If you are connecting cord use H or HI type sleeve terminals

Equipment and accessories

EQUIPMENT	PAGE	NAME
Cable terminals	208-209	H, HI