

Strain relief plate; 25 mm wide

Item No.: 734-129



Strain relief plate; 25 mm wide

Marking

RoHS ✓
Compliant

Business data

| | |
|----------------------|---------------|
| Supplier | WAGO |
| Item no. | 734-129 |
| GTIN / EAN | 4017332604536 |
| Content | 1 |
| Order amount | 25 |
| Customer item number | |

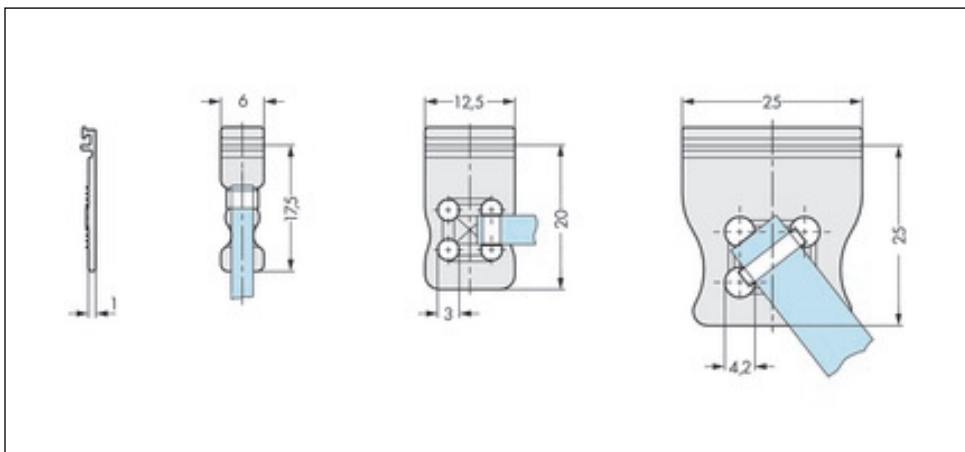
Notes

Technical data

Miscellaneous

| | |
|----------------|------------------|
| Color | light gray |
| Fire load [MJ] | 0.019 [MJ] |
| Weight [g] | 0.8 [g] |
| Width | 25 mm / 0.984 in |

Images & drawings



Address

WAGO Kontakttechnik GmbH & Co. KG

Hansastr. 27

32423 Minden

Telefon: 0571/887-0

Fax: 0571/887-169

<http://www.wago.com>

© WAGO Kontakttechnik GmbH & Co. KG

Technische Änderungen und Irrtümer vorbehalten.