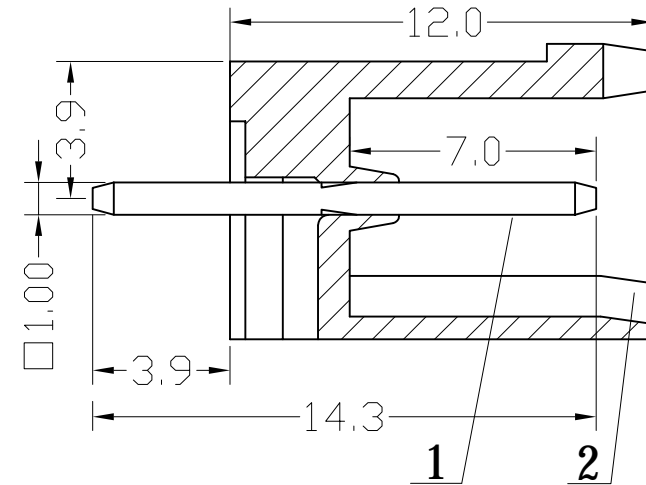
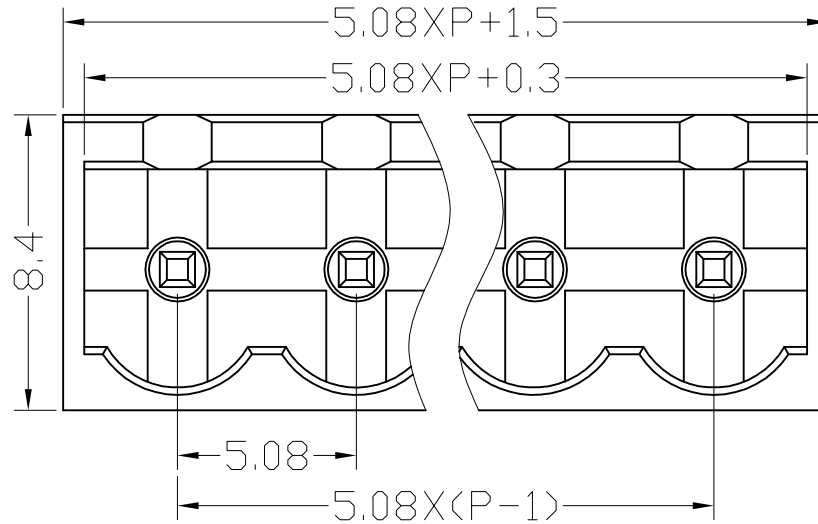


序号/RevNo.	名称/Title	文件编号/File No.
1	XY2500V 端子	QJ/XYT-2180101
2	XY2500 D塑件	QJ/XYT-2181201




300V 15A
Poles: 2-22P
Pitch: 5.08mm(.200")

Materials

Housing: PA66(UL 94V-0)

Solder Pin: Brass, Tin Plated

设计/Designed by	绘图/Draw ing by	审核/Checked by	批准/Approved by	未注公差 General Tolerance	
 XINLAIYA ELECTRONIC CO., LTD		图名/Title	文件编号/File No.	x. ±0.2	x.° ±2°
		XY2500VD-5.08 产品图	QJ/XYT-2281200	.x ±0.1	.x° ±1°
备注/Remark		页序/Sheet		.xx ±0.05	.xx° ±0.5°
				.xxx ±0.01	
				单位/Units: mm	

序号/RevNo.	更改记录/Revision note	签名/Signature	日期/Date
-----------	--------------------	--------------	---------