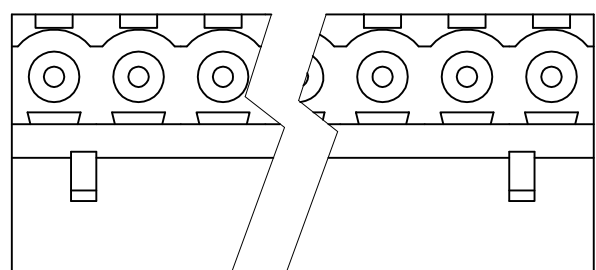
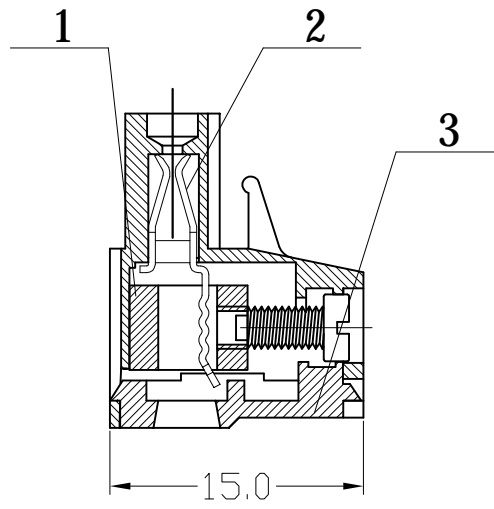
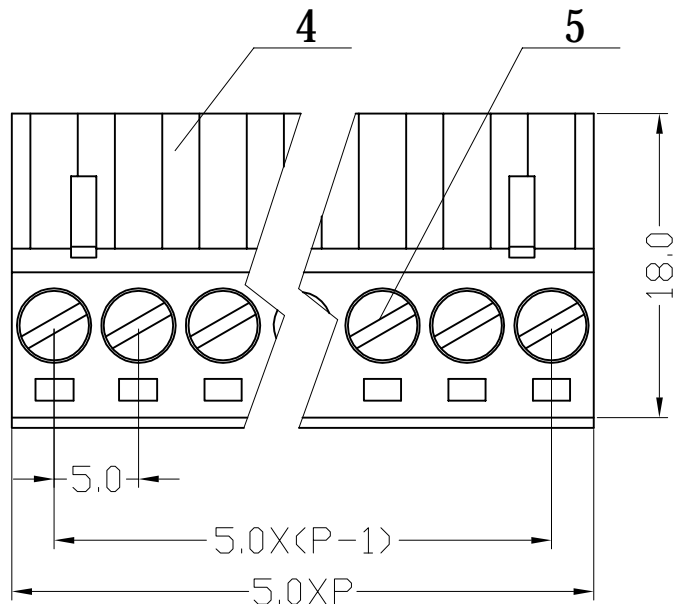


序号/RevNo.	名称/Title	文件编号/File No.
1	XY2500F铜方块	QJ/XYT-21281
2	XY2500F端子	QJ/XYT-21282
3	XY2500F-A塑件后塞	QJ/XYT-21280
4	XY2500F-A塑件	QJ/XYT-21279
5	XY2500F-A一字螺丝 (与M3103一字螺丝共用)	QJ/XYT-21003



**Poles:** Any poles (2P-24P)  
**Pitch:** 5.0mm  
**Voltage Rating:** 300V  
**Current Rating:** 12A  
**Wire range:** 18-12AWG 2.5mm<sup>2</sup>  
**Housing:** PA66 (UL 94V-0)  
**Wire Cage:** Brass, Nickel Plated  
**Clamp:** Phosphor Bronze, Nickel Plated  
**Screw:** M2.5, Steel (A3), Zinc Plated  
**Torque:** 0.4N.m

设计/Designed by	绘图/Drawing by	审核/Checked by	批准/Approved by	未注公差 General Tolerance	
		图名/Title	文件编号/File No.	x. ±0.2	x." ±2"
		XY2500F-A	QJ/XYT-22114	.x ±0.1	.x" ±1"
		页序 /Sheet		.xx ±0.05	.xx" ±0.5"
		备注 /Remark		.xxx ±0.01	
				单位/Units: mm	

序号/RevNo.	更改记录/Revision note	签名/Signature	日期/Date