

6

5

4

3

2

1

APPROVED: _____
 DATE: _____ TITLE: _____

Rev	AWO #	Description	Date	Appr
-		RELEASED	4/8/15	

D

D

C

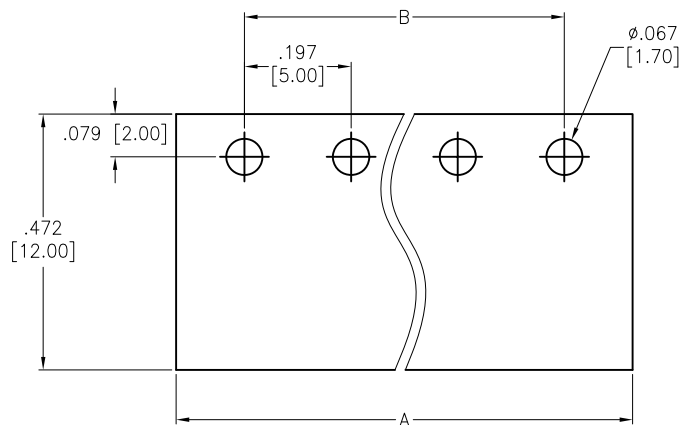
C

B

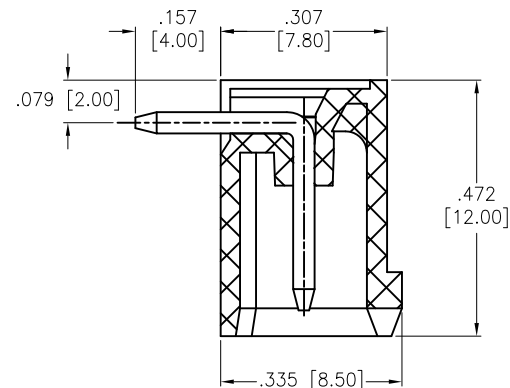
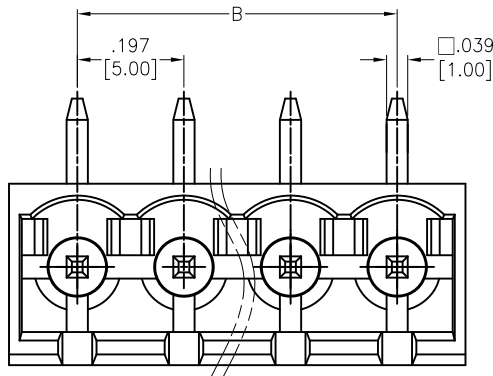
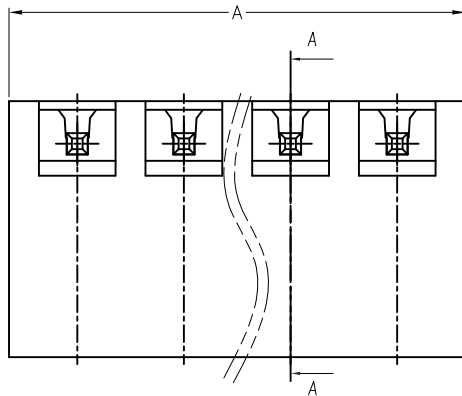
B

A

A



RECOMMENDED PCB LAYOUT



SECTION A-A

SPECIFICATIONS:

Material:
 Insulator: PA66, rated UL 94V-0
 Insulator color: Green
 Contacts: Brass, Tin plated
 Electrical:
 Voltage rated: 300 V
 Current rated: 15 A
 Contact resistance: 20 mΩ
 Insulation resistance: 500 MΩ @ 500 VDC
 Dielectric withstanding voltage: 2,000 VAC for 1 minute
 Temperature Rating:
 Operating temperature: -40°C to +105°C
 Environmental:
 Lead free, RoHS compliant.



Positions: 02 thru 24

A = .197 [5.00] x No. of Positions+ .055 [1.40]

B = .197 [5.00] x No. of Spaces

UNLESS OTHERWISE SPECIFIED
 ALL DIMENSIONS ARE MM [INCHES]
 TOLERANCES: EXCEPT AS NOTED

INCHES		HOLES	
.X	± .10	Ø.X	± .10
.XX	± .020	Ø.XX	± .015
.XXX	± .015	Ø.XXX	± .010

ADAM TECH

909 Rahway Avenue, Union, NJ 07083
 Phone: 908-687-5000 Fax: 908-687-5710

APPROVALS		DATE
DRAWN	HR	4/8/15
CHECKED	NC	4/8/15
APPROVED		

TITLE: .197 [5.00] PITCH, EURO BLOCK HEADER
 RIGHT ANGLE, CLOSE SIDE

SIZE X	PART NO. EBQA-XX-C-C	REV. -
REF: S00067C	SCALE: NTS	SHEET 1 OF 1

6

5

4

3

2

1