

6

5

4

3

2

1

APPROVED: \_\_\_\_\_

DATE: \_\_\_\_\_ TITLE: \_\_\_\_\_

Rev	AWO #	Description	Date	Appr
-		RELEASED	8/2/13	

D

D

C

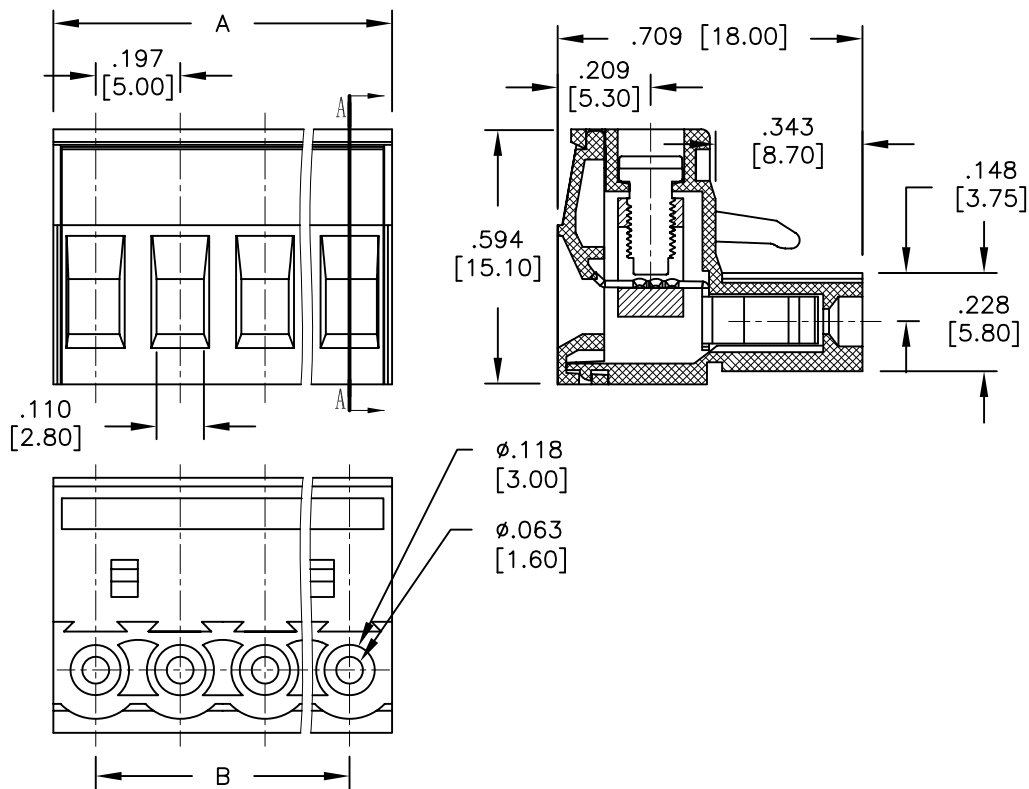
C

B

B

A

A



**SPECIFICATIONS:**

Material:  
 Insulator: PA66, rated UL 94V-0  
 Insulator color: Green  
 Wire guard: Brass, Tin plated  
 Screw: Steel, M3.0/Zinc plated  
 Clamp: Phosphor Bronze, Nickel plated

Electrical:  
 Voltage rated: 300 VAC  
 Current rated: 15 Amps  
 Contact resistance: 20 mΩ  
 Insulation resistance: 500 MΩ @ 500 VDC  
 Withstanding voltage: 2000V AC/1 Min

Mechanical:  
 Solid wire: 28-14AWG 2.5mm<sup>2</sup>  
 Torque (Lb-In): 0.5Nm (4.5lb-in)  
 Strip length: 7-8mm  
 Temperature Rating:  
 Operating temperature: -40°C to +105°C  
 Environmental:  
 Lead free, RoHS compliant.



Poles: 2 thru 24

A = .197 [5.00] x No. of Poles

B = .197 [5.00] x No. of (Poles - 1)

UNLESS OTHERWISE SPECIFIED ALL DIMENSIONS ARE INCHES [MM] TOLERANCES: EXCEPT AS NOTED		<b>ADAM TECH</b> 909 Rahway Avenue, Union, NJ 07083 Phone: 908-687-5000 Fax: 908-687-5710	
INCHES HOLES			
.X ± .10	Ø.X ± .10	TITLE .197 [5.00] TERMINAL BLOCK, SLOTTED SCREW	
.XX ± .020	Ø.XX ± .015		
.XXX ± .015	Ø.XXX ± .010		
APPROVALS		DATE	
DRAWN AY		8/2/13	
CHECKED NP		8/2/13	
APPROVED			
SIZE X	PART NO. EBHA-XX-C	REV. -	
REF: S00067C	SCALE: NTS	SHEET 1 OF 1	

6

5

4

3

2

1